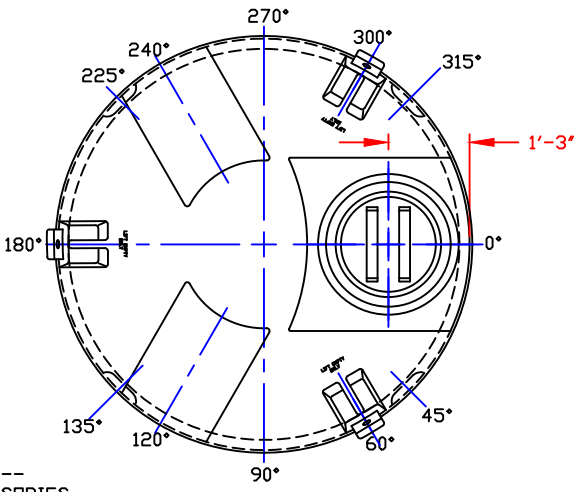
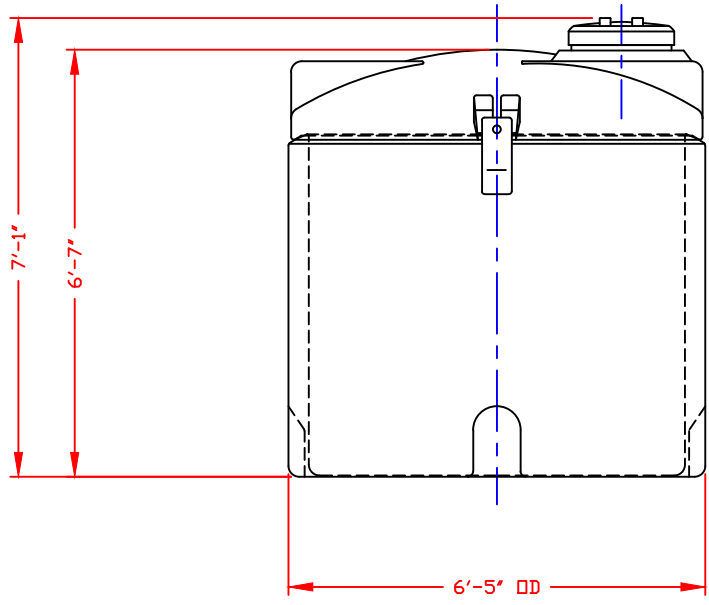


NON-CONTROLLED COPY
 INFORMATION SUBJECT TO CHANGE WITHOUT NOTICE
 VERIFY REV LEVEL OF PAPER COPY WITH REV LEVEL ON PPC WEB SITE



ELEVATIONS ONLY--
 NOZZLES & ACCESSORIES
 ROTATED INTO VIEW--
 FOR TRUE ORIENTATION
 SEE PLAN VIEW




NOTE:
 MUST USE FLEXIBLE
 CONNECTIONS ALL
 LOWER SIDEWALL
 FITTINGS

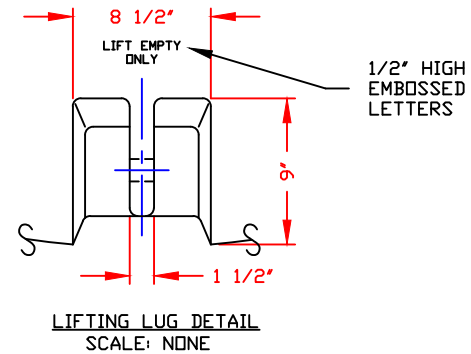
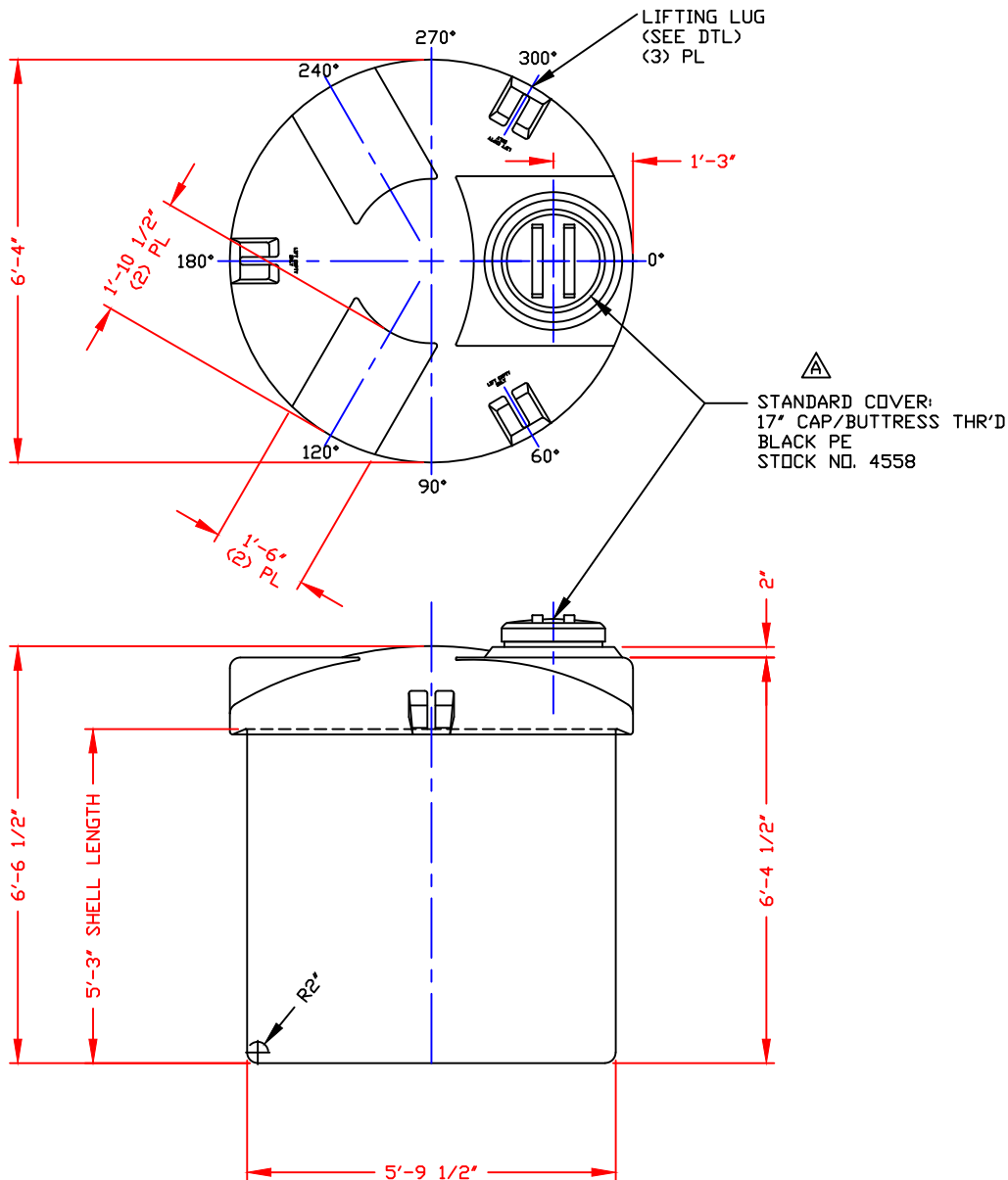
CALCULATED CAPACITIES/ VOLUME IN U.S. GALLONS			
TANK	DESIGN CAP	DOME VOL	TOTAL VOL
INNER	1016	187	1203
OUTER	1215	N/A	1215

NOTES:

1. THIS IS A COMPUTER GENERATED DWG. DO NOT REVISE BY HAND.
2. DIMENSIONS WILL VARY ±3% DUE TO VARIATIONS IN MULTIPLE MOLDS & CONDITIONS PREVALENT DURING MANUFACTURE & USAGE.
3. FOR INNER TANK DTLS SEE COMPUTER FILE NO 2001000, TITLE "1000 GALLON INNER SAFE-TANK," FOR OUTER TANK DTLS SEE COMPUTER FILE NO. 12101200, TITLE "1000 GALLON OUTER SAFE-TANK," 1200 GALLON OPEN TOP TANK."
4. TANKS DESIGNED FOR 1.9 SpG MAT'L @ 100°F/ATMOS PRESSURE

DWG TITLE		1000 GALLON SAFE-TANK ASSEMBLY		
SERVICE: XXXX		 Central Region P.O. Box 4026 71223 8201 Old Sterlington Rd. Monroe, LA 71205 CSD 343-7565 FAX CSD 343-8795	DR:	B. HARPER
SCALE: 1/2"=1'-0"	DATE: 09/12/19		CK:	
		SHEET	COMPUTER FILE	REV
		1 OF 1	SAFE-A-01000	-


NON-CONTROLLED COPY
 INFORMATION SUBJECT TO CHANGE WITHOUT NOTICE
 VERIFY REV LEVEL OF PAPER COPY WITH REV LEVEL ON PPC WEB SITE



- NOTES:**
1. THIS IS A COMPUTER GENERATED DWG. DO NOT REVISE BY HAND.
 2. DIMENSIONS WILL VARY $\pm 3\%$ DUE TO VARIATIONS IN MULTIPLE MOLDS & CONDITIONS PREVALENT DURING MANUFACTURE & USAGE.
 3. FOR OUTER TANK DTLS SEE COMPUTER FILE NO. 2101200, TITLE "1000 GALLON OUTER SAFE-TANK/1200 GALLON OPEN TOP TANK." FOR ASSEMBLY SEE COMPUTER FILE NO. 2001000A, TITLE "1000 GALLON SAFE-TANK ASSEMBLY."

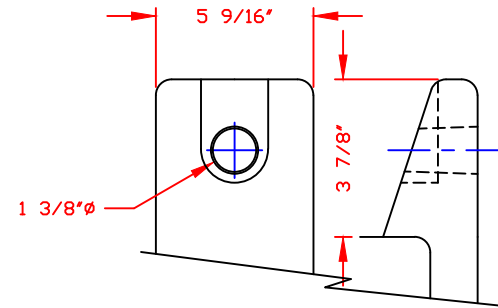
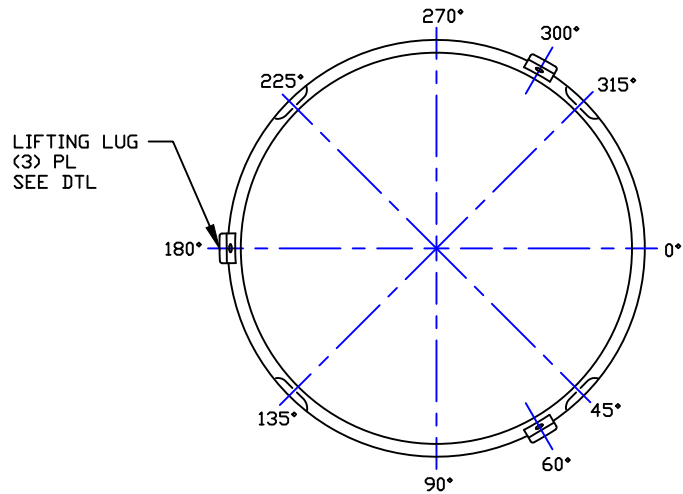
CALCULATED CAPACITIES/ VOLUME IN U.S. GALLONS		
DESIGN CAP	DOME VOL	TOTAL VOL
1016	187	1203

CONFIDENTIAL PROPERTY OF
 POLY PROCESSING COMPANY
 NOT FOR REPRINT OR USE
 WITHOUT PERMISSION

DWG TITLE			
1000 GALLON INNER SAFE-TANK			
SCALE:	1/2"=1'-0"	 Central Region P.O. Box 439 (71311) 2501 Old Springington Rd. Norcross, GA 30092 (770) 343-7563 FAX (770) 343-8795	DR: B. HARPER
DATE:	09/12/19		CK:
		SHEET	COMPUTER FILE
		1 OF 1	SAFE-I-01000
			REV A

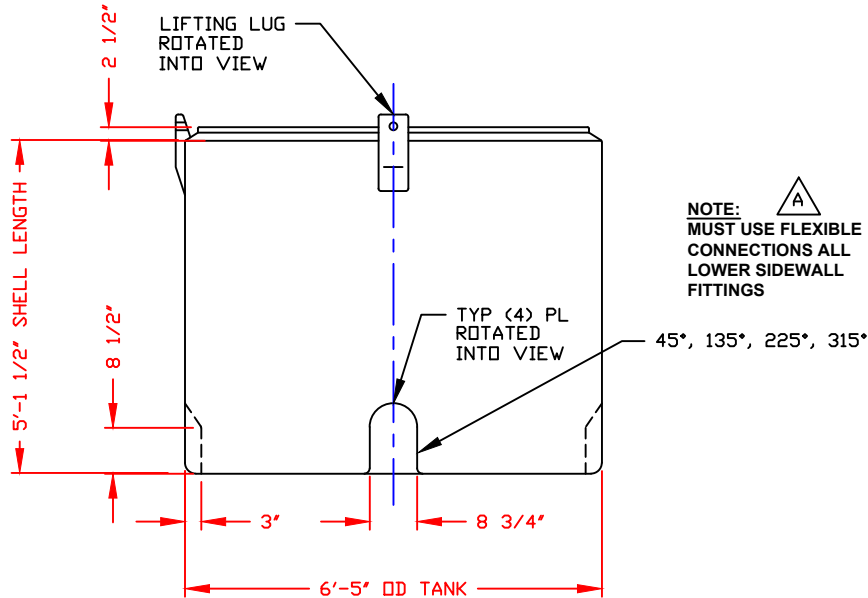
REV "A" REVISED COVER BY:JB 7/28/09 CK:WM

NON-CONTROLLED COPY
 INFORMATION SUBJECT TO CHANGE WITHOUT NOTICE
 VERIFY REV LEVEL OF PAPER COPY WITH REV LEVEL ON PPC WEB SITE



LUG DETAIL
 SCALE: NONE

- NOTES:
1. THIS IS A COMPUTER GENERATED DWG. DO NOT REVISE BY HAND.
 2. DIMENSIONS WILL VARY ±3% DUE TO VARIATIONS IN MULTIPLE MOLDS & CONDITIONS PREVALENT DURING MANUFACTURE & USAGE.
 3. FOR INNER TANK DTLs SEE COMPUTER FILE NO. 2001000, TITLE "1000 GALLON INNER SAFE-TANK." FOR ASSEMBLY SEE COMPUTER FILE NO. 2001000A, TITLE "1000 GALLON SAFE-TANK ASSEMBLY."



CALCULATED CAPACITY
VOLUME IN U.S. GALLONS
DESIGN CAPACITY
1215

CONFIDENTIAL PROPERTY OF
 POLY PROCESSING COMPANY
 NOT FOR REPRINT OR USE
 WITHOUT PERMISSION

DWG TITLE			
1000 & 1015 GALLON OUTER SAFE-TANK/ 1200 GALLON OPEN TOP TANK			
SCALE:	1/2"=1'-0"	 Central Region P.O. Box 4150 (71811) 2201 Old Stoneington Rd. Monroe, LA 71203 CIBP 343-7500 FAX CIBP 343-8795	DR:
DATE:	09/12/19		CK:
SHEET		COMPUTER FILE	REV
1 OF 1		SAFE-□-01000	A

REV "A" ADDED FITTING NOTE BY:MBW 4/16/03 CK:JB