

AccuPro 5000-PB™ Digital Scale Controller with Push Button Keypad

- Single or dual-channel operation
- 3 Button keypad interface
- High accuracy of ± 0.1 to $\pm 0.25\%$ of capacity
- Alphanumeric/graphic LCD display with easy readability to 0.1 lb. (kg)
- Readout in pounds, kilograms, gallons or liters
- 4-20 mA outputs and optional set point relays



Advanced Digital Scale Controller with 1 or 2 Channels Offers Push Button Input

The Model AccuPro 5000-PB Digital Scale Controller is designed for use with Scaleton's complete line of cylinder, ton cylinder, drum, tank, platform, IBC tote and spill containment scale bases. Featuring an easy to read alphanumeric/graphic LCD display and push button keypad, the controller provides an excellent accuracy of $\pm 0.1\%$ to $\pm 0.25\%$ of full scale capacity and will display net weight in pounds, kilograms, gallons or liters. This controller is available with 1 or 2 channels with 4-20 mA outputs and an audible alarm. The 4-20mA output (scale or loop powered) is scalable to a user defined value, and is adjustable. Options include high and low set point relay contacts and 0-5V or 0-10V outputs. The user may apply the indicator to filling applications, as well as loading applications.

Standard Features

- Electronic indicator housed in NEMA 4X, UL approved enclosure to provide protection from acids
- Single or dual channel operation
- Keypad input interface with three (3) push buttons
- Displays net weight plus bar graph showing relative tare, net weight and total system capacity
- 4-20 mA analog output for each channel - scale or loop powered
- Leak detector input
- Audible alert/alarm with adjustable volume and external buzzer support
- Compatibility with all Scaleton scales
- Ability to mix different scale types on one controller

- Multi-level menu system for ease of operation
- Tare lock-out and password protection
- Field programmable and calibratable including factory restore setting
- 6 Foot power cord

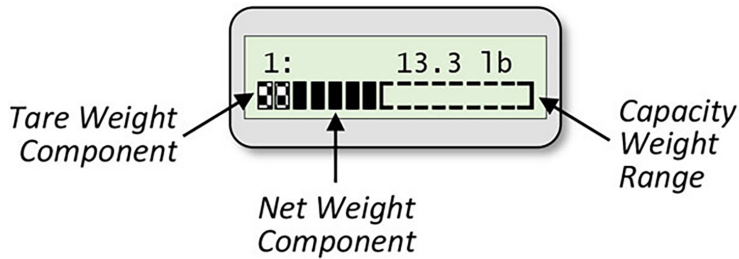
Options

- High and low level set point relay contacts – 2 or 4 per channel
- 0-5V or 0-10V output signal
- Remote mounting of indicator box up to 200 feet (61 meters) away from scale base

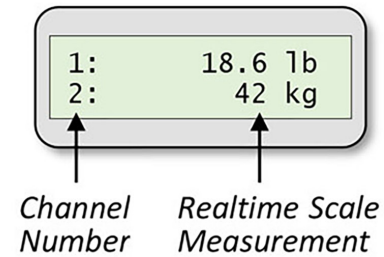
AccuPro 5000-PB™ Digital Scale Controller with Push Button Keypad

Display Screens

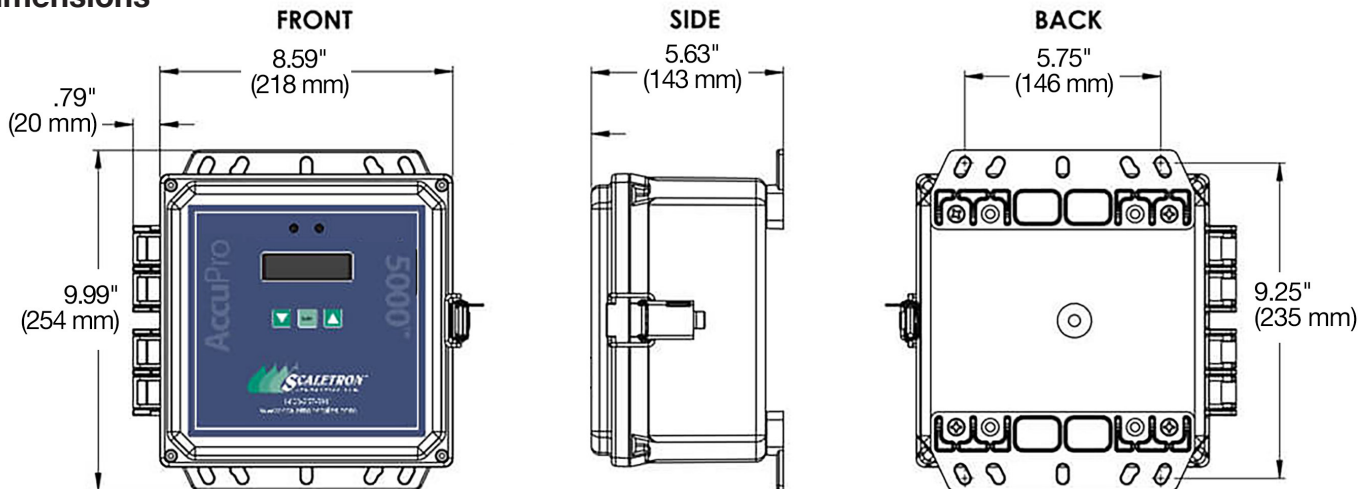
Single-Channel Display with Bar-Graph



Dual-Channel Display



Dimensions



Specifications

PART NUMBER	ACCUPRO 5000-PB
Interface	Keypad with three (3) push buttons
Accuracy	±0.1% to ±0.25% of full scale capacity
Display	2 Line x 16 character alphanumeric/graphic backlit LCD with 6 digits for weight
Display Items	Displays net weight plus bar graph with net weight, gross weight and tare
Display Screens	One (1) single-channel and one (1) dual-channel weight display
Display Units	Pounds, kilograms, gallons or liters
Channels	1 or 2 - One scale base per channel
Output Signal	4-20mA Standard, 0-5V or 0-10V optional - 1 Output per channel, scale or loop powered
Set Points	2 or 4 Relay contacts optional per channel (high or low) - dry contact 3A relay with N.O and N.C connection
Remote Option	Can be remotely mounted up to 200 feet from base frame
Audible Alarm	78 dB internal piezo buzzer alarm with adjustable volume, external buzzer support
Power	120/240 VAC, 50/60 Hz, 0.10/0.05A
Enclosure	NEMA 4X, UL approved enclosure
Shipping Weight	7 lbs.

Scaleton Industries Ltd.

Bedminster Industrial Park
53 Apple Tree Lane • P.O. Box 365
Plumsteadville, PA 18949 • USA

Tel: (+1) 215-766-2670 (International)
Tel: (+1) 800-257-5911 (USA & Canada)
Fax: (+1) 215-766-2672

Email: info@scaletonscales.com
Website: www.scaletonscales.com