



SCALETRON™ SETS THE STANDARD
IN CORROSION RESISTANCE™

Model AccuPro 6000-TS™ Digital Scale Controller with Touch Screen

- Single or dual-channel operation
- Touch screen interface
- High accuracy of ± 0.1 to $\pm 0.25\%$ of capacity
- Alphanumeric color LCD display with easyreadability to 0.1 lb. (kg)
- Displays net and gross weight and %, bar graphs, mA out, tare and set points
- Readout in pounds, kilograms, gallons or liters
- 4-20 mA outputs and optional set point relays



Advanced Digital Scale Controller with 1 or 2 Channels Offers Touch Screen Input

The Model AccuPro 6000-TS Digital Scale Controller is designed for use with Scaleton's complete line of cylinder, ton cylinder, drum, tank, platform, IBC tote and spill containment scale bases. Featuring an easy to read 4.3" alphanumeric/graphic color LCD touch screen display and a new simplified menu system, the controller provides an excellent accuracy of $\pm 0.1\%$ to $\pm 0.25\%$ of full scale capacity and will display net weight or gross weight in pounds, kilograms, gallons or liters. Controller is available with 1 or 2 channels with 4-20 mA outputs. The 4-20mA output (scale powered) is scalable to a user defined value, and is adjustable. Options include high and low set point relay contacts and an audible alarm. The 6000 series allows the user to easily adjust any setting on the spot including adjusting the tare value or selecting a unit directly from any weight display. The user may apply the indicator to filling applications, as well as loading applications.

Standard Features

- Electronic indicator house in NEMA 4X, UL approved wall mount enclosure to provide protection from acids
- Displays net and gross weight; net and gross percent (%); net and gross weight bar graphs plus mA out, tare adjustment and set point values
- Up to eleven (11) single-channel and five (5) dual-channel weigh displays
- 4-20 mA analog output for each channel – scale powered
- Leak detector input
- Ability to mix different scale types on one controller
- Simplified menu system for ease of operation
- Status check menu for errors, alarms, set points, and load cell(s) check function to ensure stable operation
- Password protection

- Field programmable and calibratable including factory restore setting
- 6 Foot power cord

Options

- High and low level set point relay contacts – 2 or 4 per channel
- Alarm active, weight set point active and max net weight relays
- Audible alert/alarm with external buzzer support
- Remote mounting of indicator box up to 200 feet (61 meters) away from scale base
- Remote monitoring capabilities with either Modbus TCP through ethernet or Modbus RTU via RS-232/RS-485 serial network

Model AccuPro 6000-TS™ Digital Scale Controller with Touch Screen

Display Screens

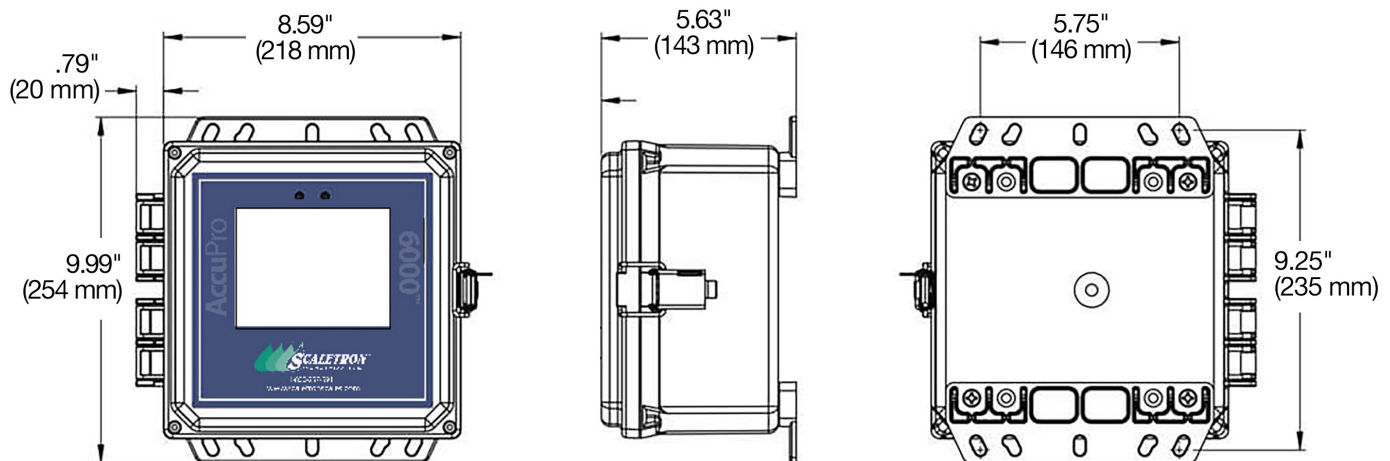
Single-Channel Display

Ch 1 Display 1			
Net Wt	Gross Wt	4-20 Out	Tare
-#####.# lb	-#####.# lb	-###.# mA	-##### lbs
E	Net Wt Graph	F	Wt Setpoints
		1 2 3 4	
Exit		Unit	Tare
		Next	

Dual-Channel Display

Ch 1 / 2 Display 1	
C1 Net Wt -#####.# lb	C2 Net Wt -#####.# lb
C1 Grs Wt -#####.# lb	C2 Grs Wt -#####.# lb
C1 4-20 Out -###.# mA	C2 4-20 Out -###.# mA
C1 Tare -#####.# lbs	C2 Tare -#####.# lbs
Exit	
Unit	
Tare	
Next	

Dimensions



Specifications

PART NUMBER	ACCUPRO 6000-TS
Interface	Touch screen
Accuracy	±0.1% to ±0.25% of full scale capacity
Display	4.3" Alphanumeric/graphic color LCD touch screen display with adjustable brightness
Display Items	Displays net and gross weight; net and gross percent (%); net and gross weight bar graphs plus mA out, tare adjustment and set point values
Display Screens	Up to eleven (11) single-channel and five (5) dual-channel weight displays
Display Units	Pounds, kilograms, gallons or liters
Channels	1 or 2 - One scale base per channel
Output Signal	4-20mA Standard – 1 Output per channel, scale powered
Set Points	2 or 4 Relay contacts optional per channel (high or low) - dry contact 3A relay with N.O and N.C connection
Remote Option	Can be remotely mounted up to 200 feet from base frame
Audible Alarm	Optional 78 dB internal piezo buzzer, external buzzer support
Communication Option	Remote monitoring with either Modbus TCP through ethernet or Modbus RTU via RS-232/RS-485 serial network
Power	100/277 VAC, 50/60 Hz, 0.10/0.05A
Enclosure	NEMA 4X, UL approved enclosure
Shipping Weight	7 lbs.

Scaletron Industries Ltd.

Bedminster Industrial Park
53 Apple Tree Lane • P.O. Box 365
Plumsteadville, PA 18949 • USA

Tel: (+1) 215-766-2670 (International)
Tel: (+1) 800-257-5911 (USA & Canada)
Fax: (+1) 215-766-2672

Email: info@scaletronscales.com
Website: www.scaletronscales.com