


**Thermoplastic Valves, Inc.**

53 South 7th St.

Emmaus, PA 18049

United States of America

**Phone:** 610-967-6388

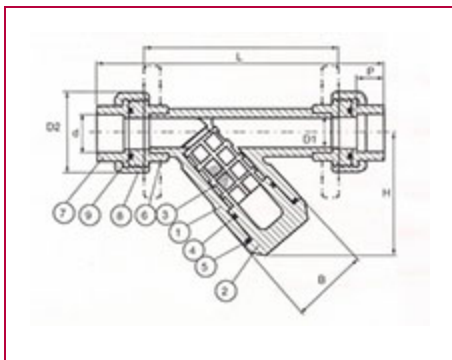
**Fax:** 610-967-6448

**Toll-free:** 866-242-5890

**Email:** [tvi2@fast.net](mailto:tvi2@fast.net)
**Website:** <http://www.tvivalves.com>

## ITEM # DN-1, 1 INCH (IN) Y-SEDIMENT STRAINER

Thermoplastic Y-Sediment Strainers have a one piece clear PVC body. The Body connection is socket. Available in threaded and flanged if required. Filter screen standard 20 mesh PVC is easily removed for cleaning or replacing. Strainers tested at 150 psi before shipment from manufacturing plant.



[Specifications](#) | [ANSI Dimensions](#) | [Material of Construction](#) | [Construction](#) | [Testing Procedure](#)

### Specifications

<b>Number of Mesh Screen</b>	20
------------------------------	----

### ANSI Dimensions

<b>Dimension D1</b>	1.02 in
<b>Dimension D</b>	2.64 in
<b>Socket Dimension L</b>	10.5 in
<b>Thread Dimension L</b>	10.5 in
<b>Flanged Dimension</b>	12.0 in
<b>Dimension P</b>	1.125 in

<b>Socket Dimension d</b>	1.315 in
<b>Thread Dimension d</b>	1 in
<b>Thread Type (Dimension d)</b>	National Pipe Thread
<b>Dimension B</b>	1.89 in
<b>Working Pressure</b>	150 psi

## Material of Construction

<b>Materials of Construction</b>	Part - Body Pcs - 1 Material - Polyvinyl Chloride (PVC)
	Part - Screen Rack Pcs - 1 Material - Polyvinyl Chloride (PVC)
	Part - Screen Pcs - 1 Material - Polyvinyl Chloride (PVC)
	Part - Clip Pcs - 1 Material - ABS
	Part - Lid Pcs - 1 Material - Polyvinyl Chloride (PVC)
	Part - O-Ring Pcs - 1 Material - Ethylene Propylene Diene Monomer (EPDM), Viton®
	Part - O-Ring Pcs - 1 Material - Ethylene Propylene Diene Monomer (EPDM), Viton®

## Construction

<b>Body</b>	All parts except seals Polyvinyl Chloride (PVC), ASTM D-1784
-------------	---

<b>Seals</b>	Ethylene Propylene Diene Monomer (EPDM) Flourocarbon, Viton® (Dupont Dow Elastomers)
<b>Socket</b>	ASTM-D-2467 (Polyvinyl Chloride (PVC), SCH-80)
<b>Threaded</b>	ASTM-D-2464 (Polyvinyl Chloride (PVC), SCH-80)
<b>Flanged</b>	ANSI-B16.5 Class 150

## Testing Procedure

### Testing Procedure

Testing performed on Polyvinyl Chloride (PVC)/Ethylene Propylene Diene Monomer (EPDM) valves at 73 °F water temperature, non-shock.