

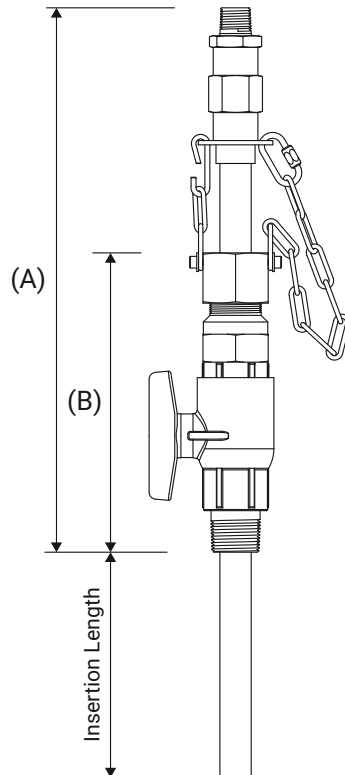
EB-164



Standard Service Retractable Injection Quill 1" Valve x 1/2" Tube with Integrated Check Valve

SPECIFICATIONS

| | |
|-------------------------------|---|
| SAFETY RATING | 150 PSI |
| CHECK VALVE | INTEGRATED SPRING LOADED BALL CHECK VALVE |
| SAF-T-SEAL TIP | OPTIONAL |
| QUICK DISCONNECT | N/A |
| VALVE/PROCESS CONNECTION SIZE | 1" |
| INLET CONNECTION SIZE | 1/2" |
| SOLUTION TUBE SIZE | 1/2" |
| SOLUTION TUBE ID | 0.546" |
| SOLUTION TUBE OD | 0.840" |
| (A) OPERATING LENGTH | 14.75" |
| (B) VALVE/GLAND LENGTH | 8" |
| EXTRACTION LENGTH | 22.75" + INSERTION LENGTH |



ORDERING INFORMATION

| SERIES | VALVE MATERIAL | SOLUTION TUBE MATERIAL | INSERTION LENGTH | TIP CONFIGURATION | CHECK VALVE SEAL |
|--------|----------------|------------------------|--|--|--|
| EB-164 | - | - | - | - | - |
| | C = CPVC | P = PVC C = CPVC | All Tube Materials 2 = 2" 4 = 4" 6 = 6" | 0 = Standard B = 45° Bevel CV = SAF-T-Seal, FKM CE = SAF-T-Seal, EPDM | V = FKM E = EPDM K = KALREZ 6375 |

TECH NOTES

- Check valve spring cracking pressure is 5 PSI.
- Maximum insertion length for 1/2" PVC and CPVC solution tubes is 6". PVC and CPVC solution tubes are not covered by warranty when used in process flows with velocities 6 fps or greater.