

# M3

## FLEXFLO® Peristaltic Metering Pump



### Features

- > 5" touchscreen color LCD display
- > Self priming peristaltic metering pump delivers smooth chemical feed
- > Tube Failure Detection (TFD) system senses tube failure
- > Safe and simple tube replacements
- > Inputs include: 4-20mA, Pulse/Frequency Inputs, Industrial Protocols, Remote Start/Stop
- > Signal outputs include: 4-20mA Output, Frequency Output, one 250V/6 AMP relay output, three 115V/1A output alarm

Video link: 



**NEMA 4X**

### Highlights

#### Flow range

.0002 - 33.3 GPH  
.0007 - 126 LPH

#### Pressures

125 PSI  
(8.6 bar)

#### Turndown ratio

10,000 : 1

#### Exclusive

Tube Failure Detection (TFD)

#### Motor

Brushless DC

#### Warranty

5 Years

### Control Methods

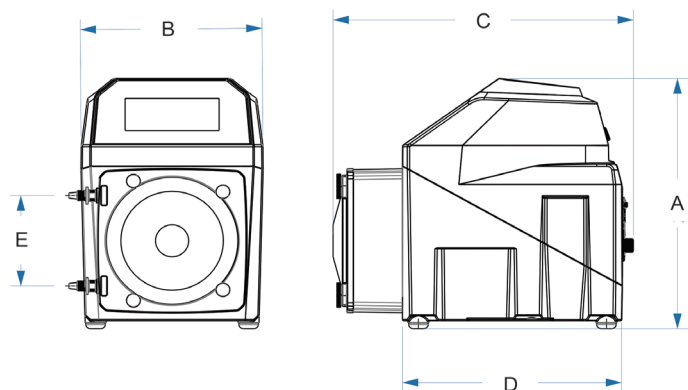
Control Methods	Manual Control	4-20mA Input	Remote Start/Stop	Pulse Input	Frequency Input	Ethernet/IP	Modbus TCP/IP	Profibus	4-20mA Output	(4) Alarm Outputs	FVS
M3	•	•	•	•	•	•	•	•	•	•	•



<b>Maximum Working Pressure (excluding pump tubes)</b>	125 psig (8.6 bar) <b>NOTE:</b> See individual pump tube assembly maximum pressure ratings.
<b>Maximum Fluid Temperature (excluding pump tubes)</b>	185 °F (85 °C) <b>NOTE:</b> See individual pump tube assembly max. temperature ratings.
<b>Maximum Viscosity</b>	12,000 Centipoise
<b>Maximum Suction Lift</b>	30 ft. Water, 0 psig (9.14 m, 0 bar)
<b>Ambient Operating Temperature</b>	14 °F to 115 °F (-10 °C to 46 °C)
<b>Ambient Storage Temperature</b>	-40 °F to 158 °F (-40 °C to 70 °C)
<b>Operating Voltage</b>	115VAC/60Hz, 1ph (2.0 Amp Maximum)
	230VAC/60Hz, 1ph (1.0 Amp Maximum)
	220VAC/50Hz, 1ph (1.0 Amp Maximum)
	240VAC/50Hz, 1ph (1.0 Amp Maximum)
	230VAC/50Hz, 1ph (1.0 Amp Maximum)
<b>Power Cord Options</b>	115V60Hz = NEMA 5/15 (USA)
	230V60Hz = NEMA 6/15 (USA)
	220V50Hz = CEE 7/VII (EU)
	240V50Hz = AS 3112 (Australia/New Zealand)
<b>Motor</b>	Brushless DC, 1/4 hp
	10,000:1 (0.01% - 100% motor speed) Max RPM = 125
<b>Motor Speed Adjustment Range</b>	0.1% increments > 1% motor speed and < 100%
<b>Motor Speed Adjustment Resolution</b>	0.01% increments < 1% motor speed
<b>Display</b>	5" touchscreen color LCD, UV resistant.
<b>Display Languages</b>	English, Spanish, French, German, and Portuguese selectable
<b>Maximum Overall Dimensions</b>	8-1/4"W x 11-3/4"H x 13-1/4"D (20.9W x 29.8H x 34.5D cm)
<b>Product Weight</b>	25.4lb. (11.5 Kg)
<b>Security</b>	Programmable 6-digit password
<b>Approximate Shipping Weight</b>	30 lb. (13.6 Kg)
<b>Enclosure</b>	NEMA 4X (IP66), Polyester powder coated aluminum & Noryl
<b>RoHS Compliant</b>	Yes
<b>Standards</b>	cETLus, CE, NSF61

## Dimensions

Dim	Inch	cm	Dim	Inch	cm
A	11-3/4"	29.8	D	10-1/2"	26.5
B	8-1/4"	20.9	E	4-1/4"	10.8
C	13-1/2"	34.5			



# Materials of Construction

M3

## Non-wetted Components:

**Enclosure:** 413 Aluminum (Polyester powder coated) & Noryl

**Pump Head:** Valox® (PBT) thermoplastic

**Pump Head Cover:** Polycarbonate

Permanently lubricated sealed motor shaft support ball bearing.

**Cover Screws:** Stainless steel, polypropylene cap

## Roller Assembly:

Rotor: Valox® (PBT)

Rollers: Nylon

Roller Bearings: SS Ball bearings

**Motor Shaft:** Chrome plated steel

**TFD System Sensor:** Hastelloy C-276

**Power Cord:** 3 conductor, SJTW-A water-resistant

**Mounting Brackets and Hardware:** 316 Stainless steel

## Wetted Components:

### Pump Tube Assembly:

Tubing: Flex-A-Prene®, Flex-A-Chem® or Flex-A-Thane®

Adapter Fittings: PVDF

One spare tube included

### Ancillary Items Not Included (sold separately):

Injection Fitting, Foot Valve/Strainer, Suction Tubing/Pipe, Discharge Tubing/Pipe, Quick Disconnect Valves, or Communications Wire/Cable.

# Output Specifications


Tube Material / Size	Feed Rate			Max Speed	Max Pressure	Max Temperature	Roller Required
	GPH	LPH	ML/Min	RPM	PSI (bar)	°F (°C)	
<b>Flex-A-Prene® M3 Tube Pumps</b>							
ND	.0002 - 2.10	.0007 - 7.92	.0132 - 132	125	125 (8.6)	185 (85)	A3-SND-R
NHL	.0017 - 17.4	.0066 - 65.6	.11 - 1097	125	65 (4.5)	185 (85)	A3-SNGG-R
NK	.0033 - 33.3	.0126 - 126	.21 - 2100	125	125 (8.6)	185 (85)	A3-SNGG-R
NKL	.0033 - 33.3	.0126 - 126	.21 - 2100	125	30 (2.1)	185 (85)	A3-STH-R
NEE	.0004 - 4.76	.0018 - 18.0	.03 - 300	125	110 (7.6)	185 (85)	A3-SNGG-R
NGG	.0019 - 19.02	.0072 - 72.0	.12 - 1200	125	110 (7.6)	185 (85)	A3-SNGG-R
<b>Flex-A-Chem® M3 Tube Pumps</b>							
TH	.0015 - 15.06	.0057 - 57.0	.0950 - 950	125	50 (3.4)	130 (54)	A3-STH-R
TK	.0028 - 28.5	.0108 - 108	.18 - 1800	125	50 (3.4)	130 (54)	A3-SNGG-R
<b>Flex-A-Thane® M3 Tube Pumps</b>							
GE	.0004 - 4.60	.0017 - 17.4	.0290 - 290	125	65 (4.5)	130 (54)	A3-SGE-R
GG	.0010 - 10.1	.0038 - 38.4	.0637 - 637	125	65 (4.5)	130 (54)	A3-SGE-R
G2G	.0018 - 18.23	.0069 - 69.0	.0115 - 1150	125	65 (4.5)	130 (54)	A3-SGE-R
GH	.0024 - 24.9	.0094 - 94.2	.1570 - 1570	125	65 (4.5)	130 (54)	A3-SGE-R
GK	.0028 - 28.5	.0108 - 108	.1800 - 1800	125	65 (4.5)	130 (54)	A3-SGE-R

# Model Number Matrix

## FLEXFLO® Model Number

<b>M3</b>	FLEXFLO® Peristaltic metering pump							
<b>Power Cord (operating voltage user selectable 115V/240 Vac 50/60Hz)</b>								
<b>4</b>	115V / 60Hz, power cord NEMA 5/15 plug (US)							
<b>6</b>	220V / 50HZ, power cord CEE 7/VII plug (EU)							
<b>X</b>	No Power Cord							
<b>Inlet/Outlet Connection Size, Connection Type, Connection Material</b>								
<b>S</b>	3/8" OD x 1/4" ID Tube Compression Fitting, Natural PVDF (Kynar)							
<b>M</b>	1/2" Male NPT Fitting, Natural PVDF (Kynar)							
<b>B</b>	1/2" Hose Barb, Natural PVDF (Kynar), available for ND, NEE, NGG, NKL, and G2G only							
<b>C</b>	1/2" - 3/4" Tri-clamp connections, Natural PVDF (Kynar), available for ND, NEE, NGG, NKL, and G2G only							
<b>Q</b>	Quick Disconnect, Natural PVDF (Kynar), available for ND, NEE, NGG, NKL, and G2G only. (valves sold separately)							
<b>MB</b>	1/2" Male BSPT Fitting, Natural PVDF (Kynar)							
<b>Pump Tube Material, Pump Tube Size, Output Range</b>								
<b>ND</b>	Flex-A-Prene® .075 ID   .0002–2.10 GPH   125 PSI			<b>GE</b>	Flex-A-Thane® .125 ID   .0004–4.60 GPH   65 PSI			
<b>NEE</b>	Flex-A-Prene® .093 ID   .0004–4.76 GPH   110 PSI			<b>GG</b>	Flex-A-Thane® .187 ID   .0010–10.1 GPH   65 PSI			
<b>NGG</b>	Flex-A-Prene® .187 ID   .0019–19.02 GPH   110 PSI			<b>G2G</b>	Flex-A-Thane® .187 ID   .0018–18.23 GPH   65 PSI			
<b>NHL</b>	Flex-A-Prene® .250 ID   .0017–17.4 GPH   65 PSI			<b>GH</b>	Flex-A-Thane® .312 ID   .0024–24.9 GPH   65 PSI			
<b>NK</b>	Flex-A-Prene® .375 ID   .0033–33.3 GPH   125 PSI			<b>GK</b>	Flex-A-Thane® .375 ID   .0028–28.5 GPH   65 PSI			
<b>NKL</b>	Flex-A-Prene® .375 ID   .0033–33.3 GPH   30 PSI			<b>TH</b>	Flex-A-Chem® .250 ID   .0015–15.06 GPH   50 PSI			
				<b>TK</b>	Flex-A-Chem® .375 ID   .0028–28.5 GPH   50 PSI			
<b>Pumphead Orientation</b>								
<b>(Blank)</b>	Standard - Left facing							
<b>R</b>	Right facing pumphead							
<b>D</b>	Down facing pumphead							
<b>M3</b>	<b>S</b>	<b>2</b>	<b>4</b>	<b>-</b>	<b>S</b>	<b>ND</b>	<b>R</b>	<b>Sample Model Number</b>

## Accessories



1/4" x 3/8" "S" Fitting  
1/2" Hose Barb "B" Fitting  
1/2" MNPT "M" Fitting

**Quick Disconnects**

- \*KIT-QSV FKM O-rings
- \*KIT-QSE EP O-rings
- \*KIT-QSA Aflas O-rings
- \*KIT-QBV FKM
- \*KIT-QBE EP
- \*KIT-QBA Aflas
- \*KIT-QMV FKM
- \*KIT-QME EP
- \*KIT-QMA Aflas



**KIT-PSM**  
Wall Mount Bracket, HDPE



**KIT-M12**  
Two M12 Cables - 9.8 ft.

90010-663 115V/60Hz NEMA 5/15  
90010-664 220V/50Hz CEE 7/V11  
90010-665 230V/50Hz BS 1363/A  
90010-666 240V/50Hz AS 3112  
90010-696 230V/60Hz NEMA 6/15  
90010-711 115V Lockable

**POWER CABLES - 6 ft**



**A-014NK-6A**  
Injector, PVDF, 1/4" "S" Conn.



**KIT-DP3**  
Profibus Cable, 3 ft

Visit Accessory Pages for More Options

P.N. 85000-157 M3 REV 7 2024010

M3 is sold and serviced exclusively by highly skilled, factory authorized technicians.

4 5300 Business Drive, Huntington Beach, CA 92649  
TEL 714-893-8529 | FAX 714-894-9492 | www.blue-white.com | sales@blue-white.com

ISO 9001:2015 CERTIFIED SINCE 1957 QUALITY MADE IN THE USA