



Installation, Operation, And Maintenance Manual

Thank you for making us your chosen tank supplier!

Over 50 years in the tank business has taught us that proper installation, operation, and maintenance is the key to longer useful life of a tank system. Please read all of the instructions contained in this manual. It will make a tremendous difference in the useful life of your tank. The tank owner is responsible for using the current PPC Installation, Operation, and Maintenance Manual. The current version can be found at www.polyprocessing.com/installguide.

Revision 6-24. Please check for the latest revision to this manual at www.polyprocessing.com/installguide



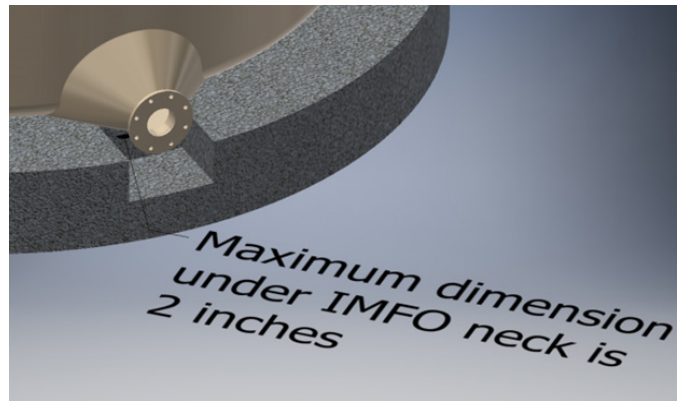
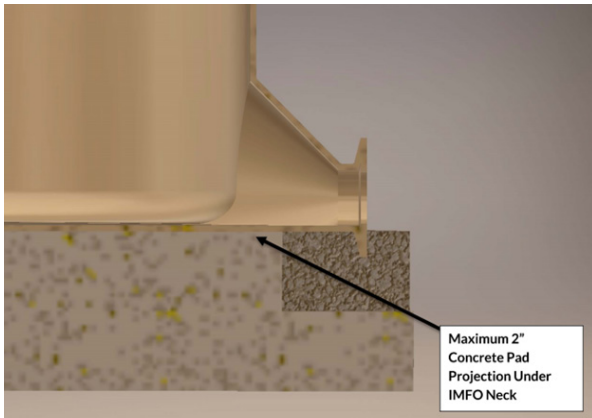
TABLE OF CONTENTS


| | |
|-------------------------------------------------|----|
| General Information..... | 2 |
| Product Specifications..... | 3 |
| Receiving Merchandise..... | 4 |
| Returning Merchandise..... | 5 |
| Tank Location..... | 5 |
| Off-Loading Instructions..... | 5 |
| SAFE-Surge® Emergency Air Surge Protection..... | 8 |
| Recommended Torque Values..... | 9 |
| IMFO® Flange Fitting Assembly..... | 10 |
| B.O.S.S. Fitting® Assembly..... | 12 |
| Bulkhead Fittings..... | 13 |
| Bolted Flange Fittings..... | 14 |
| Stainless Steel Fittings..... | 15 |
| Fill Line Assemblies..... | 16 |
| Self-Aligning Universal Ball Dome Fittings..... | 17 |
| Reverse Float Liquid Level Gauge..... | 18 |
| Free Standing Internal Pipe Support..... | 19 |
| Sight Glass Liquid Level Gauge..... | 20 |
| Bellows Transition Fitting..... | 21 |
| Flexible Connections..... | 24 |
| FRP Ladder Installation..... | 26 |
| Restraint Systems..... | 32 |
| Horizontal Tank Stands..... | 33 |
| Start-up Checklist and Safety Tips..... | 34 |
| Maintenance Items..... | 35 |
| Annual Tank Inspection Checklist..... | 36 |
| Limited Warranty..... | 37 |
| Additional IOM Information..... | 38 |

GENERAL INFORMATION

- Installation Videos: Please visit <https://www.polyprocessing.com/technical-resources/video-library/> for installation videos and a current version of the Operation and Maintenance Manual.
- Installation: Hydro test (water test) tank system for 24 hours before introduction of chemical. If necessary, remove all test water to prevent reaction with chemical stored. Make sure all fittings are tightened using the factory recommended torque values and techniques.
- Heat Maintenance Systems: Two thermostats are furnished, one for control and one for high limit; heating requirements vary depending on maintenance temperature, ambient temperature, and wind conditions.
- Polyurethane Insulation with Mastic Coating: 2-in nominal thickness, density range 2 – 2.8 lbs. /cubic foot, R value ≥ 6.3 / inch, mastic coating is white acrylic vinyl.
- Nominal / Working Capacity: Calculated vertical tank capacity is to top of straight side- wall.
- ASTM D-1998 Standard: All vertical, IMFO[®], and SAFE-Tank[®] systems greater than 500 gallons are manufactured in accordance with ASTM D-1998 standards.
- Gallonage Markers: Approximate indicators are not intended for precise measuring or metering. Fill vertical tanks and cones only to top of sidewall.
- Support hoses, piping, and valves independent of tank sidewall and dome. Flexible connections must be used to protect your tank warranty! (See page 26) Shield all fittings, valves, and piping from physical impact and to protect personnel from chemical spray or release.
- Tank Foundation:
 - Place tank on a clean, smooth, and properly designed concrete foundation or in PPC approved support assembly. Ensure NO trash of any kind is trapped between the tank and its foundation or support.
 - IMFO[®] tank – use a PPC polyethylene PolyBase, a polyurethane PolyBase or a monolithic concrete pad with finished edges to elevate bottom of tank above primary floor surface. The pad must be at least 4” in thick to provide full clearance for the IMFO[®] flange. At the IMFO[®] location, the straight wall of the tank must align with the straight wall of the foundation with no more than 2” of projection under the IMFO neck at the cutout or notch to prevent stress on the IMFO fitting. Use a polyurethane PolyBase or a concrete pad when storing fluids with a specific gravity greater than 1.65. (See 3D drawing on next page)
- General guidelines to accommodate restraint clips and ladders:

- Make foundation 2-ft larger in diameter than the diameter of the tank.
- If using the IMFO® tank, provide a “notch” in the foundation to accommodate the IMFO® outlet. Make sure the IMFO neck is supported and the maximum concrete pad projection is 2” under the IMFO neck. (See pictures below) Make sure there are no valves or heavy piping hanging off the IMFO.





WARNING: Failure to provide proper foundation support constitutes a misuse of the tank and will void your warranty!

PRODUCT SPECIFICATIONS

Temperature: Tank specific gravity ratings are based on continuous product operating temperature of 100°F. For temperatures between 100°F and 150°F, please contact Customer Support.

Pressure: Polyethylene tanks are designed and rated for atmospheric pressure only. Proper venting alleviates pressure or vacuum from developing as the tank is filled and emptied. See venting table below for proper configuration.

| Mechanical Pump Fill | Pneumatic Fill | | | | | | | | |
|-------------------------------------------------------------------------------------------------------------------------|-------------------------------------------------------------------------------------------------------------------------------------------------------------------------------------|--------------------|-------------------|---------------------------------------------------------------------------------------------------------------------------------------------------------------------------------------------------------|--------------------|-------------------|-------------------------------------------------------------------------------------------------------------------------------------------------------------------------------------------------------------------------------------------------------------------------------------------------------------------------|--------------------|-------------------|
| IF ≤ 1,000 gallons | IF – Vent length ≤ 3' | | | IF – Vent length > 3' and ≤ 30' | | | IF – Scrubber or fume tight application | | |
| <ul style="list-style-type: none"> ✓ Vent size should equal size of largest fill or discharge fitting | <ul style="list-style-type: none"> ✓ Maintain vent screen mesh size ≥ ¼" or no screen used ✓ Emergency Pressure Relief Cover Required IF > 1,000 gallons | | | <ul style="list-style-type: none"> ✓ 3 or less 90° elbows with no other restrictions or reduction in pipe size ✓ Emergency Pressure Relief Cover Required IF > 1,000 gallons | | | <ul style="list-style-type: none"> ✓ Vent pipe size throughout scrubber system CANNOT be reduced! ✓ Centerline of dispersion pipe not to be submersed > 6" ✓ Perforated dispersion pipe must be same diameter as vent or larger. Sum of perforations ≥ cross-sectional area of pipe | | |
| IF > 1,000 gallons | Tanker Discharge | Inlet/Fitting Size | Minimum Vent Size | Tanker Discharge | Inlet/Fitting Size | Minimum Vent Size | Tanker Discharge | Inlet/Fitting Size | Minimum Vent Size |
| <ul style="list-style-type: none"> ✓ Vent size should exceed the largest fill or discharge fitting by 1" | 2" | 2" | 4" | 2" | 2" | 6" | 2" | 2" | 6" |
| | 3" | 2" | 6" | 3" | 2" | 6" | 3" | 2" | 8" |
| | 3" | 3" | 6" | 3" | 3" | 8" | 3" | 3" | 10" |

» See our website for Detailed Venting Guidelines.

» Venting chart based on recommendation and criteria from Venting Design for ACFM Technical Paper

Two two-inch vents DO NOT EQUAL 4-inch venting capacity.

For detailed venting guidelines, please visit: www.polyprocessing.com/venting

Flexible Connections allow for tank expansion / contraction and reduce pump / piping vibration stresses. Flexible connections are required on any fitting connection on the lower 1/3 sidewall of the tank to preserve your warranty. (See page 25). Shield all fittings, valves, and piping from physical impact to protect personnel from chemical spray or release.

Tank Dome Loading: DO NOT stand or work on top of tank. The tank surfaces are flexible and slippery and a dangerous fall could occur. There is no weight or load rating for the domes of tanks.

RECEIVING MERCHANDISE

RECEIVING:

Inspect immediately upon receipt for obvious damage, defects, or missing parts and accessories.

Parts and accessories are often secured boxed and shipped loose from the tank. Locate and open packages to account for all parts using the packing slip.

Note damage/discrepancies on the driver's copy and the packing slip and have the driver initial.

Immediately notify your Authorized Distributor or Poly Processing Company of any problems.

DAMAGED/MISSING MERCHANDISE: Report damaged/missing merchandise within THREE (3) working days to ensure your claim. Your authorized distributor and/or Poly Processing Company can assist you with this process.

It's common to store tanks for a period of time before installation. Often, loose or boxed parts are misplaced or used for something else on site. We recommend clearly marking any loose or boxed parts for the chemical storage tank only. Store boxes in a safe location where they can be easily found and retrieved.

- Tanks can sit in direct sunlight, but a tarp or cover will help keep them clean
- Store tanks out of traffic areas, including forklift traffic, so they don't get gouged
- IMFO tanks or Sloped Bottom IMFO tanks need a 4 x 4 block under the IMFO (molded outlet) so that it does not rest directly on the ground.

RETURNING MERCHANDISE

To return **unused** merchandise for proper credit:

- Contact your authorized distributor or Poly Processing Customer Support and obtain a PPC Return Merchandise Authorization (RMA) number. Have your packing slip available for any needed information.
- Use the RMA number on all return shipping paperwork and all correspondence.
- Return the merchandise prepaid. Freight collect shipments will be refused.
- Upon receipt, PPC will inspect the merchandise and issue appropriate credit. A restocking fee may be assessed, particularly on products “made to order”.

To ensure employee safety, Poly Processing Company will not accept used tanks at its facilities.

TANK LOCATION

Locate the Tank wisely:

- Minimal employee and equipment traffic near tank
- Safe distance away from heat and flames
- Ease of future maintenance and inspection
- Ability to remove and replace the tank cost effectively in the future, i.e. Do not trap/confine the tank(s) in a building or by other equipment
- Provide flat, level and smooth monolithic foundation, adequate for the weight of the chemical to be stored
- Utilize secondary containment of proper size and chemical resistance to comply with local, state, and federal regulations. The Safe Tank system is designed to provide a minimum of 110% secondary containment

OFF-LOADING INSTRUCTIONS

Keep personnel clear of tank, rigging, and lift equipment! Improper and unsafe unloading can result in property damage, serious injury, or death.

DO NOT STAND OR WORK ON TOP OF TANK. The tank surfaces are flexible and slippery, which could cause a dangerous fall. The tank dome is not load rated, as it is not required per ASTM D D1998-06; therefore, it

cannot be guaranteed that the top of the dome can support the weight of personnel.

Whether unloading or moving, the tank must be fully drained before lifting.

Poly Processing strongly recommends using a licensed and experienced construction rigger to offload and set the tanks safely.

Use of Lifting Lugs: (If the tank doesn't have molded in or bolted on lifting lugs refer to page 8 regarding using the manway to offload the tank)

- Consult the tank drawing for the proper number of molded-in lifting lug sets to use during a lift. Two molded lugs constitute a set. See picture below



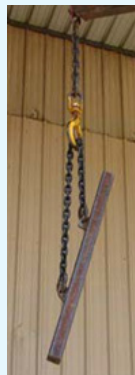
2 LUGS = 1 SET

- Position the boom of the crane directly over the centerline of the tank lying on its side near the dome (top). Use all lifting lug sets as the lift points (the holes in the lifting lugs have a 1-3/8-in diameter and are spaced 8-in from side to side). Use a shackle with a threaded pin to connect through each eyelet of the lifting lug. Make sure the shackle with pin is large enough to take up as much of the hole as possible to improve lifting control. Ensure each shackle with bolt and cable have a lifting capacity of a minimum 3000 pounds. (INSULATED TANKS: Extreme care should be taken to ensure that during the attachment of the bolts and cables from the boom position to the lifting lugs, none come in contact with the tank, causing damage to the foam surface. To prevent this from happening, attach pieces of cardboard to the dome, near the lifting lug positions to protect the sensitive surface area from any contact during the lifting process. Once you have confirmed that all Lifting Lugs are properly attached and the slack in the cables have been removed, it is now an appropriate time to cut away the protective wrap and wooden cradle before starting the lifting process)
- Slowly begin to raise the tank into an upright position. Take extreme care in balancing the weight of the tank. (INSULATED TANKS: The bottom portion of the foam area of the tank base will be crushed if it is allowed to tilt and sit on its own weight)
- Once the tank is positioned in its upright position, lift it up and lower the tank back onto the bed of the trailer. This will remove the tension from the cables temporarily to provide the opportunity to reposition the clamps and cables and find the true balance point positions. (INSULATED TANKS: Remove protective wrap and wooden cradle and discard)
- Raise the boom slowly until all slack has been removed from all lifting cables and you are assured the weight of the tank is now balanced. Lift the tank high enough to clear the trailer. You are now positioned to transport the tank to its final position.
- **IMPORTANT NOTE:** If the tank has an IMFO, before it is allowed to sit flat on its own weight at any point during the off-loading process, a block (preferably a 12-in 4x4) must be set underneath the IMFO base to keep it off the ground. This is necessary to keep the IMFO from being damaged (by design,

it sits lower than the flat bottom of the tank).

Use of Manway: Poly Processing strongly recommends the use of lifting lugs or truck straps underneath the tank to lift the tank. We also If those are not available, then the following applies.

- Use a lifting device as shown below. The bar should be a minimum 3-in in diameter, have adequate strength for the load, and range in length from 42-in to 46-in.
- Use of Forklift:



- Ensure the forklift tines are smooth and free from burrs.
- Use extended tines if handling a large tank.
- Tie the tank to the forklift mast to prevent rolling or sliding.
- Insert the forklift tines into the long side of the tank (either from the dome or floor) to achieve a balance point. Lift the tank off the bed of the truck. Back away from the truck slowly, as the weight of the tank and the cradle are both very heavy. Be prepared to stop and adjust your load if need be.
- Slowly set the tank onto the floor in an unobstructed, flat area that allows for the forklifts to move around as needed.
- Set (3) or (4) 4x4 blocks on the floor in a pattern of the outside radius of the tank. This will aid in temporarily allowing the tank to be elevated off the ground to allow the forks to get underneath for transporting the tank to its final position.
- Station another forklift on the opposite side of the tank. This forklift is used so the tank will not tip forward or rock back and forth and is used as a safety measure to catch the tank as it is stood up. Using cardboard sleeves or other protective methods, wrap the ends of the forks to prevent the tank from being gouged in the event the forks touch the tank as it is being stood up. Raise and widen the fork spacing to straddle the outside radius of the tank.
- Set tank upright over the blocks so the tank is positioned, and the weight is equally distributed. Insert the forks of one of the lifts under the bottom of the tank and lift the tank slowly, just enough to clear the blocks, and transport the tank to the desired location, slowly.

SAFE-SURGE® EMERGENCY AIR SURGE PROTECTION

To install:

1. SAFE-Surge® lids are HEAVY. Use lifting equipment to place the SAFE-Surge® lid over the tank manway.
2. Rotate the lid until the warning label is next to the edge of the tank.
3. Secure the lid with the polyethylene bolts provided.
4. Make certain the movement of the center cap of the lid is unrestricted and able to open to relieve pressure build-up in the tank.



SAFE-Surge® lids are heavy (22 lbs.) and awkward! DO NOT attempt to use a ladder for installing the SAFE-Surge® lid. The ladder may become unstable and lead to a fall or injury! Use lift equipment appropriate for work environment or use scaffolding and hoisting equipment.

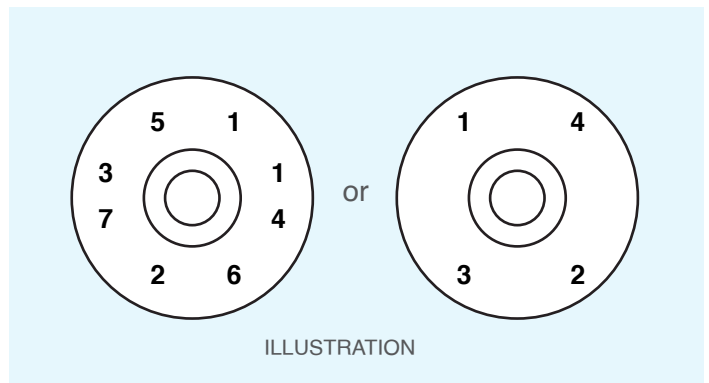
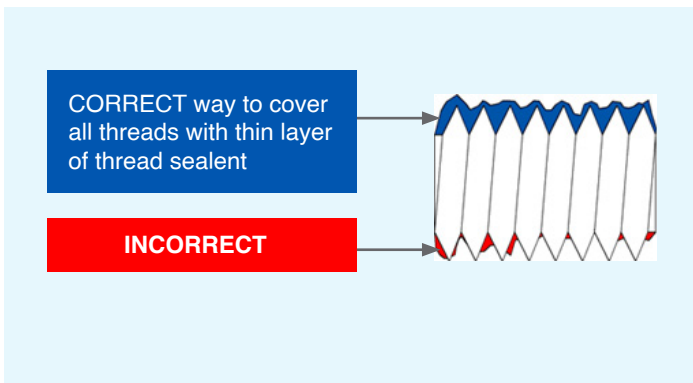
RECOMMENDED TORQUE VALUES AND TECHNIQUES

ALWAYS

1. Lubricate bolts with anti-seize compound prior to installing nuts.
2. Tighten the nuts in a crisscross pattern using a calibrated torque wrench. Tighten in 5 ft. lb. increments.

| Fitting | Torque |
|----------------------------|-----------------------------------------------------|
| PVC Bolted Flange | 15-20 ft.lbs. |
| CPVC Bolted Flange | 15-20 ft.lbs. |
| PP Bolted Flange | 15-20 ft.lbs. |
| Stainless Steel Bulkhead | 25 ft.lbs. |
| B.O.S.S.® Fitting | 15-20 ft. lbs. |
| Bellows Transition Fitting | 15-20 ft.lbs. |
| IMFO® Flange Fitting | 15-20 ft.lbs. |
| Flexible Connections | 15-20 ft. lbs. |
| PVC Bulkhead Fitting | 1/4 turn beyond hand tight (This may vary slightly) |
| External Pipe Support Bolt | 15-20 ft. lbs. |

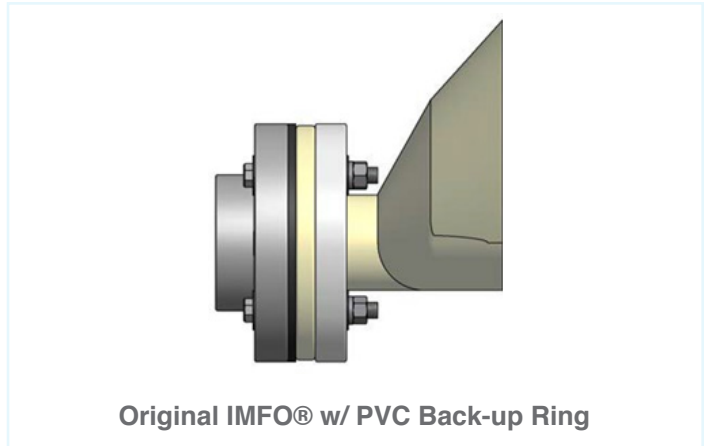
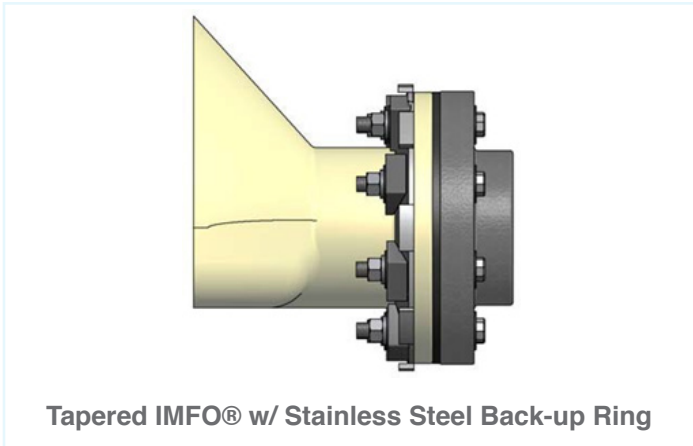
- Method for applying thread sealant to threaded fittings:
- The following tightening sequence is suggested for the flange bolts



IMFO® FLANGE FITTING ASSEMBLY

The IMFO® (Integrally Molded Flanged Outlet) is assembled at the PPC plant sites and hydro tested to ensure proper seal.

There are two types of IMFO® back up rings.



DO NOT disassemble the factory installation. If field replacement is necessary, use picture and exploded view on the next page as a guide. Make sure the fittings are tightened using the factory recommended torque values and techniques.

Protect the IMFO® flanged nozzle when storing and installing. When storing, the tank can be stood upright with adequate blocking or laid on its side and chocked to prevent rolling.

Make sure the IMFO neck is supported and there are no valves or heavy piping hanging off the IMFO.
See Tank Foundation under General Information.

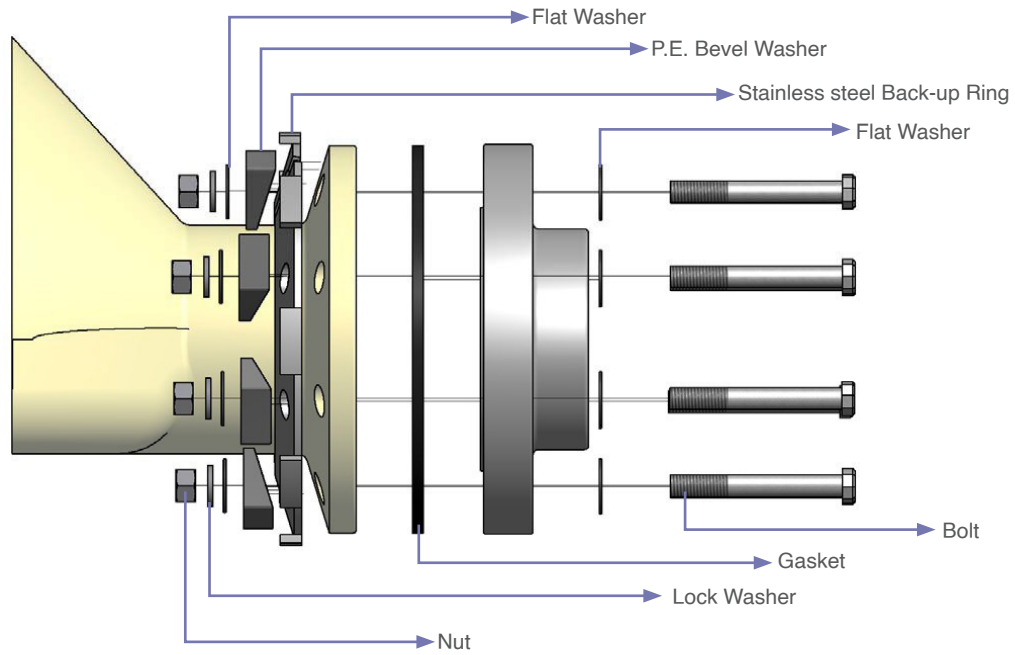
Note: Installing a butterfly valve on the IMFO fitting may require a spool assembly for a proper seal. Contact the factory for more information.



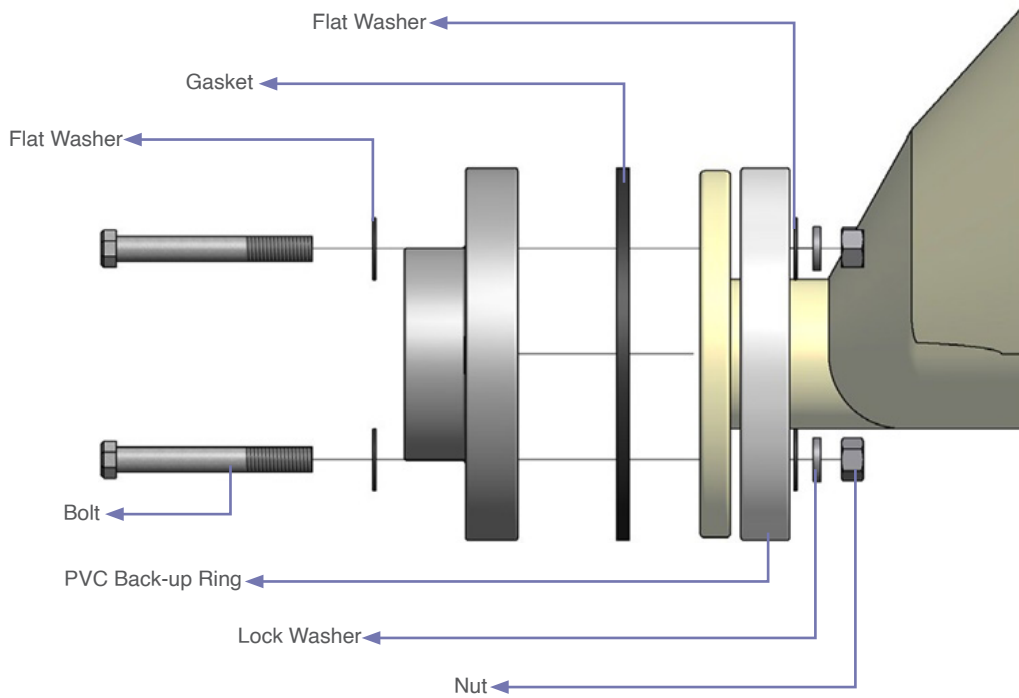
CORRECT STORAGE:
Notice clearance of tank above the floor

4" Minimum Clearance Between Tank Bottom and Floor

IMFO® FLANGE FITTING ASSEMBLY



Tapered IMFO® w/ Stainless Steel Back-up Ring

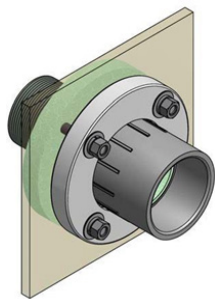


Original IMFO® w/ PVC Back-up Ring

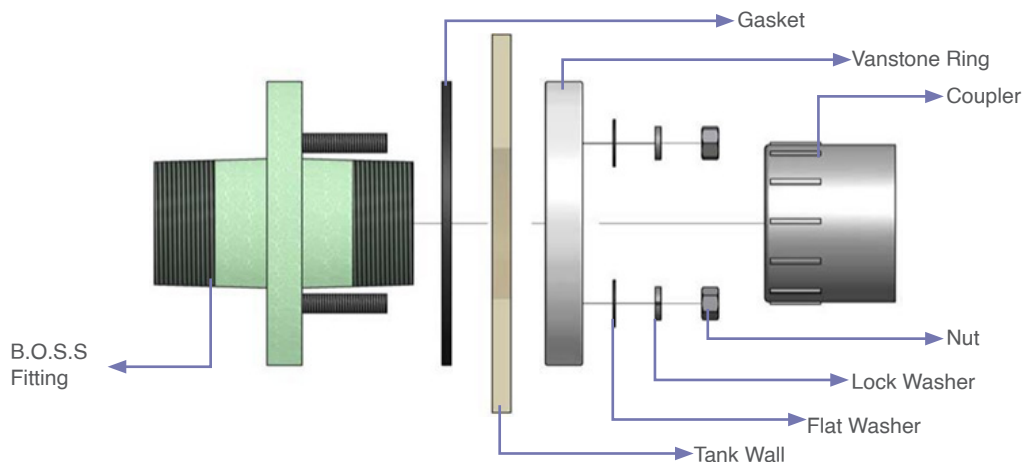
B.O.S.S. FITTING® (Bolted One-Piece Sure Seal) ASSEMBLY

- Using the gasket as a template, mark the bolt holes on the outside of the tank.
- Drill the center hole and stud holes with a 1/4-in pilot bit. Be precise with the layout and drilling of the tank as the fitting requires close tolerances.
- Drill out the pipe fitting hole using a hole saw. Please note that the hole to be drilled into the tank may be smaller than the hole in the outer plate that was used as a template. The hole drilled should be only slightly larger than the outside diameter of the pipe fitting.
- Next drill out the stud bolt holes using a 5/8-in drill bit for the 1/2-in diameter studs.
- Clean and bevel all drilled and cut holes on the inside and outside of tank surfaces.
- Install the fitting and gasket from the inside of the tank. Inside of tank must be flat and smooth. If the inner surface is uneven or lumpy, the

- inner wall must be faced smooth using a drill with sandpaper attached to a steel plate. All surfacing must be done in a circular manner.
- Slide the flange onto the stud bolts that are protruding on the outside of the tank.
- Place the washers and nuts on the stud bolts. Tighten the nuts in a crisscross pattern using a torque wrench. Tighten until the gasket is fully compressed (approximately 15-20 ft. lbs. on a torque wrench).
- Inspect the fitting. The gasket should be compressed and the flange should conform to the wall of the tank.
- Hydro test the tank for at least 24 hours prior to loading with chemical.
- These fittings will require a thicker Teflon tape and should be wrapped around threads several times



| Fitting size | Hole saw |
|--------------|----------|
| 1" | 1 1/2" |
| 2" | 2 5/8" |
| 3" | 3 5/8" |

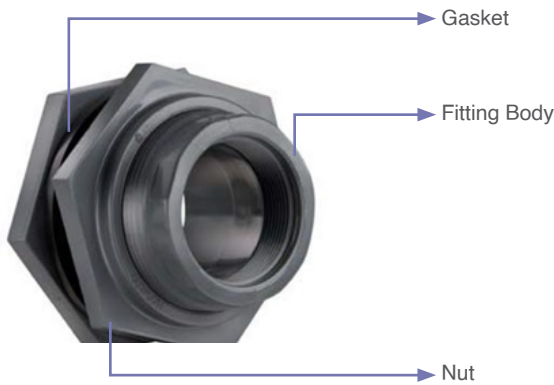


BULKHEAD FITTINGS

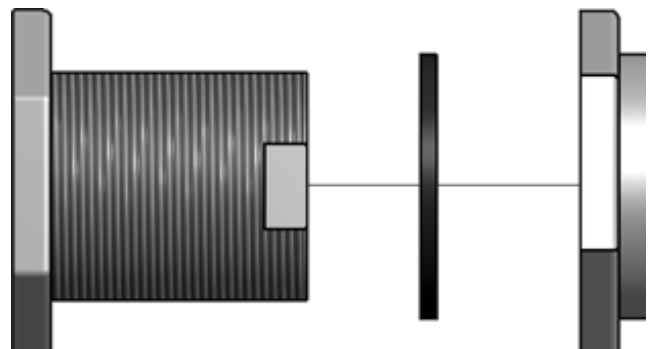
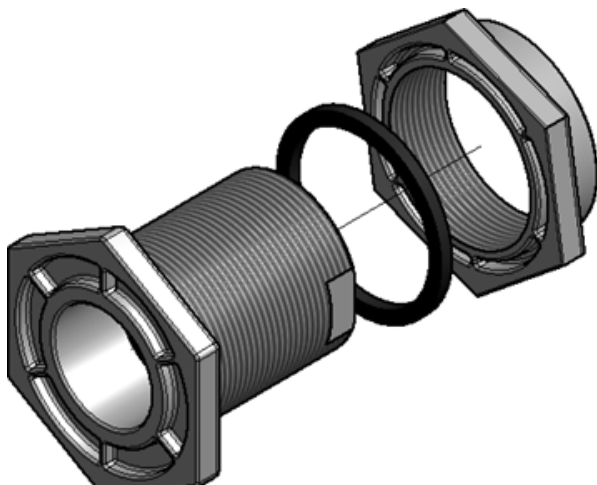
- Slide the gasket over the body of the fitting.
- From inside the tank, insert fitting body into hole in tank sidewall.
- Lubricate threads on fitting body with thread sealant and install large nut on the outside of the tank.
- Hand tighten plus 1/4 turn with a wrench. This may vary slightly. Most Bulkhead fittings use left hand threads.
- Do not allow fitting body to slip or spin when tightening to prevent the gasket from

creeping between the fitting and the tank wall.

- Inspect gasket for creep. If found, loosen nut and perform steps 4 & 5 again.
- When installing a pipe or flange adapter into the BHF, do not allow BHF to slip and do not overtighten.
- **Hydro test the tank for a minimum of 24 hours before placing into chemical service.**
- **Bulkhead fittings and tank sidewall restrictions:** Should not be used on the bottom sidewall of tanks greater than 3,000 gallons or tanks greater than 6' in height.



| BHF size | Hole saw size |
|----------|---------------|
| 1/2" | 1 3/8" |
| 3/4" | 1 5/8" |
| 1" | 1 7/8" |
| 1 1/4" | 2 3/8" |
| 1 1/2" | 2 5/8" |
| 2" | 3 1/4" |
| 3" | 4 1/2" |
| 4" | 5 3/4" |



BOLTED FLANGE FITTINGS

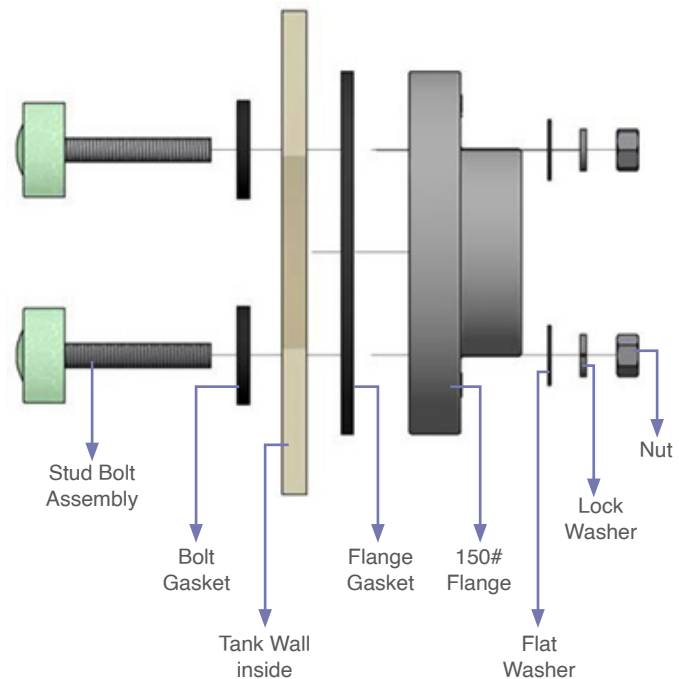
- Flanges for pipe sizes 4-in and larger should be curved to match the outside diameter of the tank.
- Disassemble the fittings as shipped. If the holes are not drilled, place the flange against the tank in the desired location and use as a template for drilling the holes. Use a hole saw the same size as the fitting's port.
- Clean and bevel all drilled and cut holes on the inside and outside of tank surfaces.
- With the gaskets installed, place the stud bolts through the holes with the plastic head on the inside of the tank; threads on the outside.
- Place the full face flange gasket over the bolts on the outside surface of the tank.
- Place the flange over the gasket and stud

threads with the hub of the flange facing out.

- Put a washer and nut on each stud bolt. Be sure to lubricate the threads of the bolts with anti-seize compound.
- Tighten the nuts in a crisscross pattern using a torque wrench. Tighten in 5 ft. lb. increments to 20 ft. lb.
- Inspect fitting. Gasket must be compressed and the outer flange drawn down evenly.
- Piping such as a flange adapter should now be threaded into the fitting. Thread sealant or Teflon tape is recommended should be applied to all pipe threads. Do not over tighten.
- Hydro test the tank for a minimum of 24 hours before placing into chemical service.



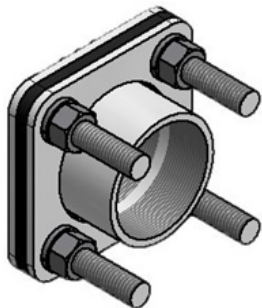
| Bolted Flange size | Hole saw size |
|--------------------|---------------|
| 1" | 1 5/8" |
| 1 1/2" | 2" |
| 2" | 2 1/2" |
| 3" | 3 5/8" |
| 4" | 4 1/2" |
| 6" | 6" |
| 3" | 4 1/2" |
| 4" | 5 3/4" |



CAUTION: Over torquing will damage the flange and gaskets.

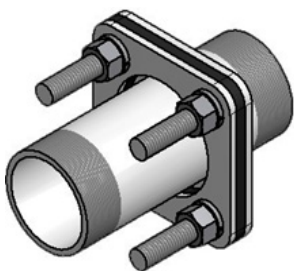
STAINLESS STEEL FITTINGS

- Disassemble the stainless steel fitting by removing the nuts from the stud bolts. Remove the 1/8-in thick stainless-steel outer plate. Set the remainder of the fitting aside along with the nuts and washers.
- Using the outer plate as a template, mark the bolt holes on the outside of the tank.
- Find the center of the large “pipe fitting” hole by drawing an “X” through the center of the bolt holes.
- Drill out the pipe fitting hole using a hole saw. Please note that the hole to be drilled into the tank may be smaller than the hole in the outer plate that was used as a template. The hole drilled should be only slightly larger than the outside diameter of the pipe fitting.
- Next drill out the stud bolt holes using a 5/8-in drill bit for the 1/2-in diameter studs
- Clean and bevel all drilled and cut holes on the inside and outside of tank surfaces.
- Install the fitting and gasket from the inside of the tank.
- Slide the outer plate onto the stud bolts that are protruding on the outside of the tank.
- Replace the washers and nuts on the stud bolts. Tighten the nuts in a crisscross pattern using a torque wrench. Tighten until the gasket is fully compressed (approximately 25-ft. lbs. on a torque wrench).
- Inspect the fitting. The gasket should be compressed, and the outer stainless-steel plate should conform to the wall of the tank.
- Hydro test the tank for a minimum of 24 hours before placing into chemical service.**

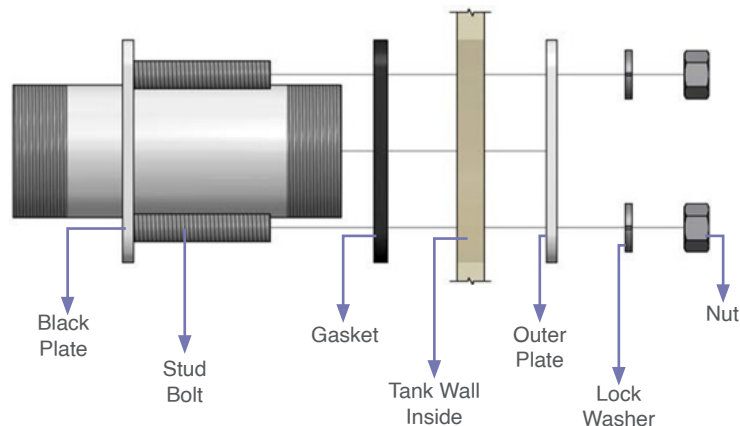


STAINLESS STEEL Coupler

| Rhino SS BHF size (Coupler Style) | Hole saw size | Rhino SS BHF size (Nipple Style) | Hole saw size |
|--------------------------------------|---------------|-------------------------------------|---------------|
| 1/2" | 1 3/8" | 1/2" | 1 3/8" |
| 3/4" | 1 5/8" | 3/4" | 1 5/8" |
| 1" | 1 7/8" | 1" | 1 7/8" |
| 1 1/2" | 2 1/4" | 1 1/2" | 2" |
| 2" | 2 5/8" | 2" | 2 1/2" |
| 3" | 4 1/2" | 3" | 3 5/8" |
| 4" | 5" | 4" | 4 3/4" |



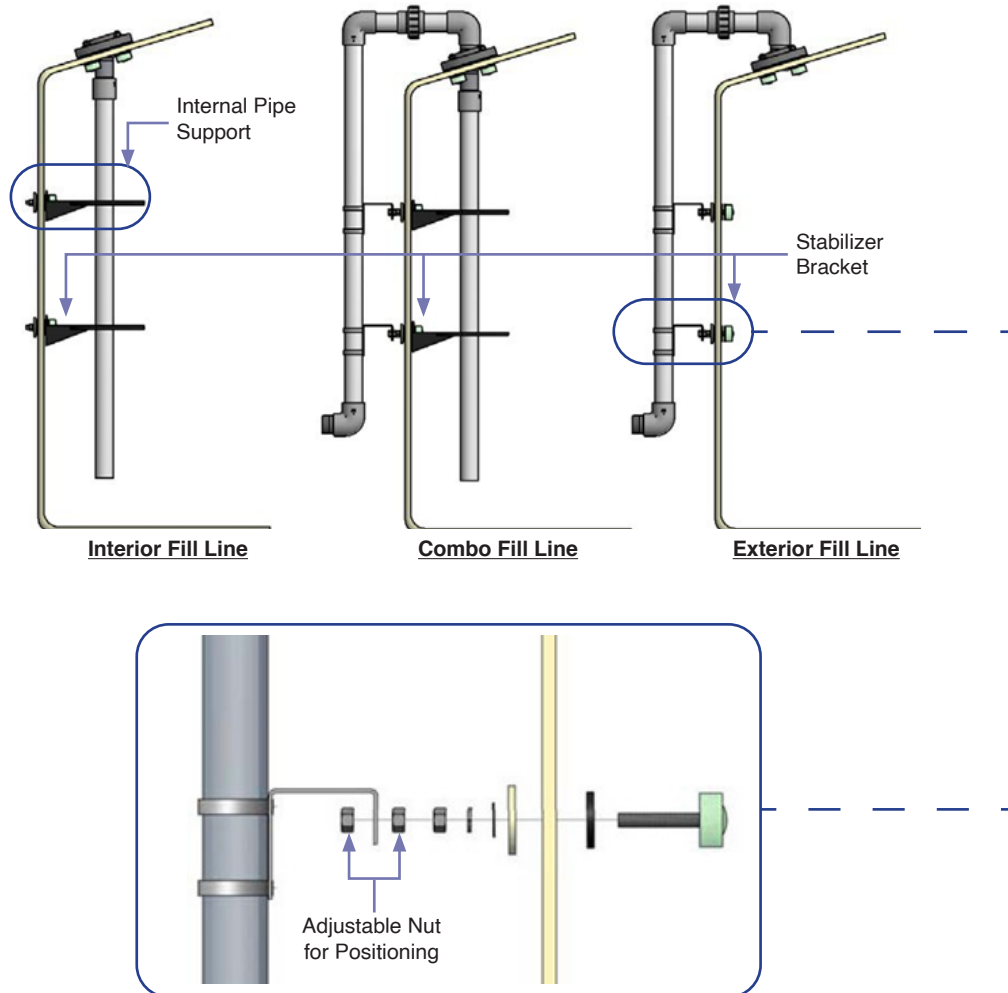
STAINLESS STEEL Full Nipple



FILL LINE ASSEMBLIES

Fill line assemblies are available in 3 styles: internal, external and combination (see example drawings below, number of pipe supports may vary).

Your tank system may be equipped with a drop pipe stabilizer bracket which is typically shipped loose and requires simple installation. The internal pipe support is typically preinstalled at the manufacturing facility.



SELF ALIGNING UNIVERSAL BALL DOME FITTING

The Self Aligning Universal Ball Dome fittings are designed for use only on tank domes. **DO NOT USE ON THE SIDEWALL OF THE TANK!** There are two styles of Ball Dome fittings: Bulkhead Fitting Style and Bolted Flange Style.

- Do not stand on tank dome when installing dome fittings. Use portable ladders, scaffolding, or personnel lifts with proper fall protection.
- Install the bulkhead fitting or flange portion of the ball dome fitting according to instructions found on page 13 or page 14.
- Thread piping into the threaded ball of the fitting. Use thread sealant.
- Adjust vertical alignment:
 1. Gently loosen the ball retainer ring located on top of the fitting ball using a large blunt screwdriver or punch and hammer.
 2. Adjust piping to desired angle.
 3. Tighten retainer ring with blunt screwdriver or punch and hammer taking care not to over-tighten!



WARNING: Do not stand or work on top of tank. The tank surfaces are flexible and slippery and could cause a dangerous fall to occur. There is no weight or load rating for the domes of the tanks.

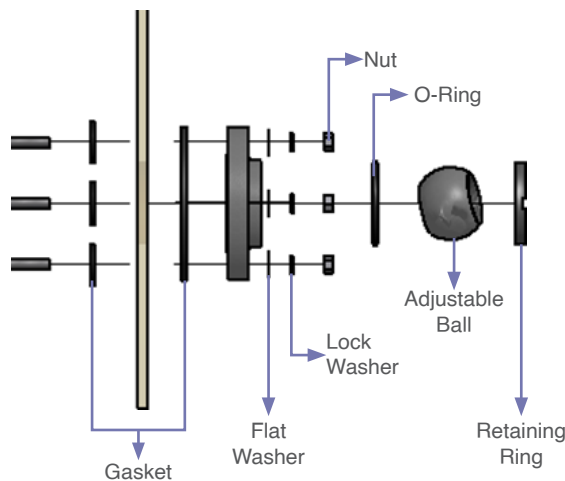


BHF Style

| UBD size (BHF Style) | Hole saw size | UBD size (Flange Style) | Hole saw size |
|----------------------|---------------|-------------------------|---------------|
| 1" | 3 1/4" | 2" | 3 1/2" |
| 2" | 4 1/2" | 3" | 4 1/2" |
| 3" | 5 3/4" | 4" | 5 3/4" |



Flange Style

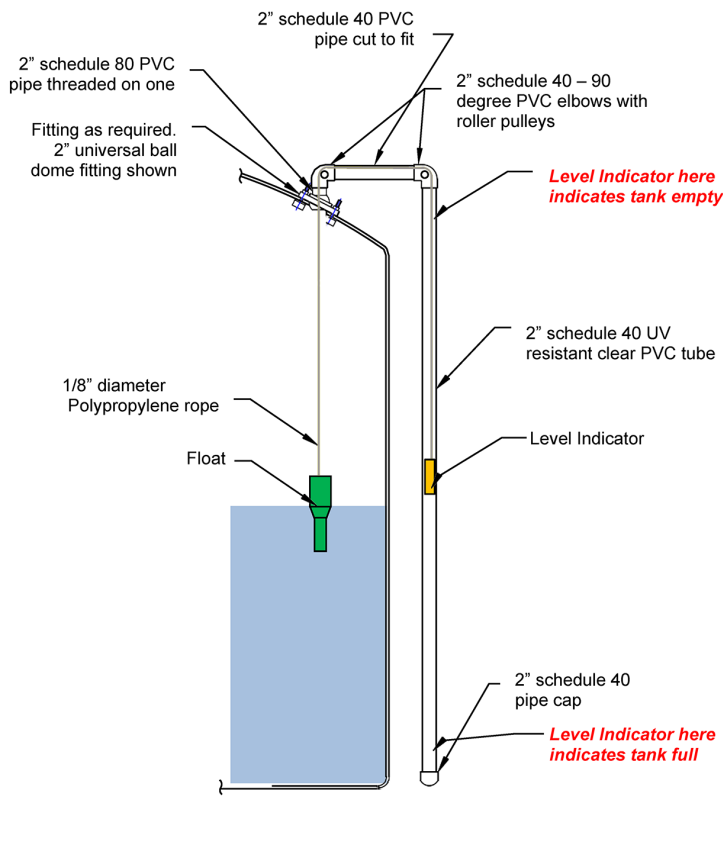


REVERSE FLOAT LIQUID LEVEL GAUGE

REVERSE FLOAT SYSTEM MAY NOT INCLUDE INTERNAL DOWNPIPE AND PIPE SUPPORT IF ORDERED WITHOUT IT. CHECK WITH YOUR SALES CONTACT TO SEE IF IT WAS INCLUDED IN THE ORDER.

DO NOT USE GLUE FOR ANY OF THE FOLLOWING STEPS!

- Retrieve exterior portion of gauge that is shipped loose.
- Thread rope through:
 - Threaded nipple (for the tank dome fitting)
 - Over the top of the rollers in the first 90 degrees elbow
 - Short horizontal pipe
 - Over the top of the rollers in the second 90 degrees elbow
- Attach rope to level indicator (note: length of rope must be determined during installation).
- Install threaded nipple into dome fitting.
- Attach first 90-degree elbow.
- Attach short pipe.
- Attach second 90- degree elbow.
- Place level indicator into clear pipe.
- Attach clear pipe to 90- degree elbow.
- Attach clear pipe to external pipe stabilizer.
- If using calibration tape, install from the bottom of the tank working towards the top.



Periodically lubricate rollers to ensure proper operation!
See www.polyprocessing.com/reversefloat for more information



FREE STANDING INTERNAL PIPE SUPPORT

- Note: All piping associated with the use and installation of the pipe support will be packaged separately. Each length of pipe has been carefully measured at the factory and dry fitted to ensure ease of installation in the field.



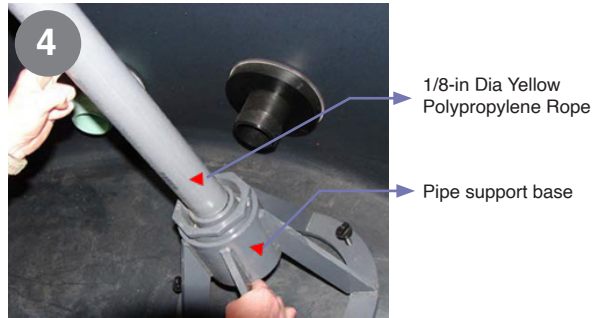
- The pipe support comes standard with a 4" slip by slip connection. 2" & 3" connections are obtained by using slip by slip reducer bushings which if ordered are glued in at the factory.



- From inside the tank, connect the pre-cut piping to the dome fitting. The dome fitting should be loosened so that it has about 1/4" to 1/2" of play in it. There are several types of dome fittings that can be used, Universal Ball Dome BHF, Universal Ball Dome Flange, Stainless Steel BHF, and PVC BHF.



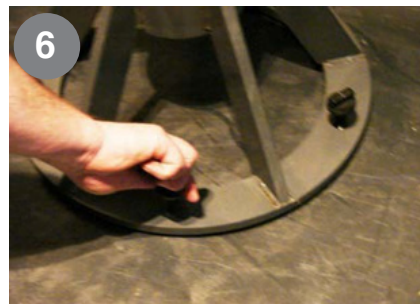
- Once the dome connection is made, pull the bottom section of the pre-cut piping to one side while angling the base until the slip by slip connection can be made. Note: All connections are "glued connections". As the piping is slipping into the base bring the entire system back to a vertical position aligned with the dome fitting.



- Photo showing the base installed to the piping and aligned vertically with the dome fitting.
- NOTE: At this point, re-tighten the dome fitting.



- After tightening the dome fitting, hand, tighten the plastic thumb screws (5) until they touch the bottom of the tank.



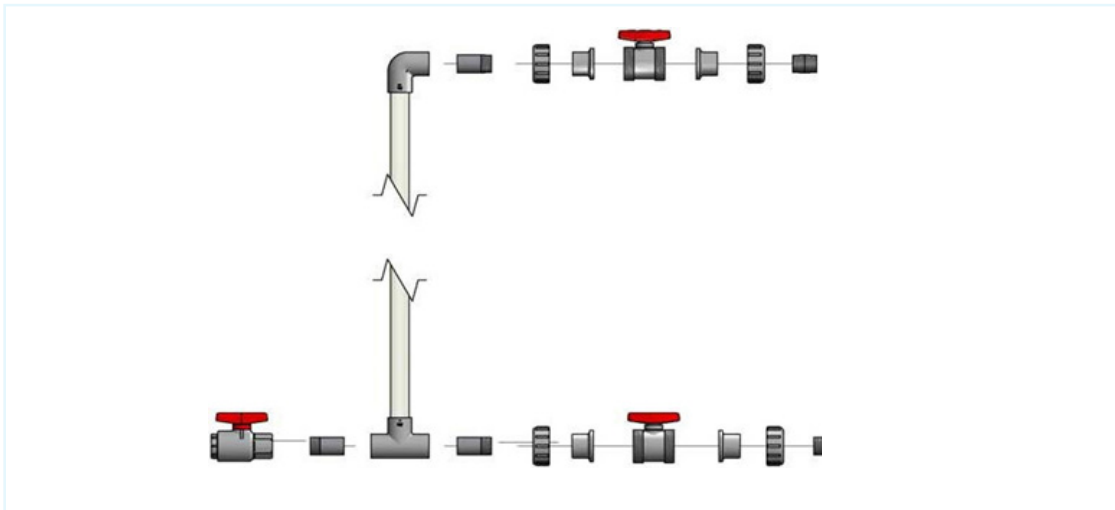
SIGHT GLASS LIQUID LEVEL GAUGE

DO NOT USE SIGHT GLASS GAUGES IN SULFURIC ACID OR OTHER DANGEROUS CHEMICAL SERVICE! Use only in benign applications such as water.

- Sight glass assemblies are completed at the factory and shipped separate of the tank to prevent damage.
- Separate the unions on either end of the assembly.
- Screw the two short nipples, with 1/2 of the union, into the sight glass fittings at the top and bottom of the tank.
- Rejoin the unions on the assembly and tighten carefully.
- If necessary, install additional valves and/or piping.
- HYDRO TEST FOR 24 HOURS before placing into chemical service!

Special Notes:

- The clear tubing will discolor over time due to chemical and UV attack.
- **WARNING:** In the event the liquid level gauge is damaged or leaks, it is very likely the entire contents of the tank will be lost! Use only in benign applications such as water.



WARNING: Do not stand or work on top of tank. The tank surfaces are flexible and slippery and could cause a dangerous fall to occur. There is no weight or load rating for the domes of the tanks.

INSTALLATION GUIDELINES ENHANCED BELLOWS TRANSITION FITTING

Before crane or boom truck leaves, make sure step 1-3 are completed and see videos at <https://www.polyprocessing.com/safetankinstall> for SAFE-Tank Installation Instructions

Tightening/torque criteria:

- Steel bolts/stud bolts --- tighten in crisscross pattern to 20 ft lbs. max.
- PVC BHF Nut --- Hand tight plus ¼ turn with a wrench

TESTING:

Following assembly, fill tank with water to the top knuckle, allow it to set for 24 hours, check to ensure no leaks



CRITICAL STEP:

ENSURE THE LINE ON THE ALIGNMENT SLEEVE LINES UP WITH THE OUTSIDE EDGE OF THE TANK. **THE ALIGNMENT SLEEVE MUST BE CENTERED AND THE GAP MUST BE EQUIDISTANT AROUND THE SLEEVE.** THIS MUST BE DONE WHILE CRANE OR BOOM TRUCK IS STILL AVAILABLE. THIS WILL ENSURE PROPER SPACING BETWEEN THE TWO TANKS.



AFTER ALIGNMENT IS CONFIRMED (**THE ALIGNMENT SLEEVE IS CENTERED**) REMOVE (2) NUTS AND REMOVE AND DISPOSE OF THE ALIGNMENT SLEEVE. WITH ALIGNMENT SLEEVE REMOVED MEASURE TO ENSURE INNER TANK FITTING IS CENTERED IN OUTER TANK HOLE.



INVENTORY:

- BELLOWS HOUSING
- SS SPLIT RINGS ((2) 6"/(1)8")
- PIPE/FLEX JOINT/BHF ASSEMBLY
- PLASTIC PE PLATE
- GASKETS ((1) 6"/(1)8")
- HARDWARE



WITH ALIGNMENT SLEEVE REMOVED, REMOVE NUT FROM BHF/PIPE ASSEMBLY AND SET ASIDE FOR LATER USE. **MAKE SURE ALL BOLTS OF THE PIPING ASSEMBLY ARE TORQUED CORRECTLY INCLUDING TANK FITTING, EXPANSION JOINT CONNECTIONS AND (COUPLER IF B.O.S.S. FITTING IS INSTALLED).** GLUE PIPE ASSEMBLY INTO THE INNER TANK FITTING.



INSTALL 8" GASKET ON OUTER TANK



INSTALL BELLOWS HOUSING AND 8" SPLIT RING USING THE PROVIDED HARDWARE. NOTE: AFTER ASSEMBLY IS GLUED REMOVE GASKET FROM BHF AND CHECK WITH A STRAIGHT EDGE. TO ENSURE ALL SEALING SURFACES ARE ON THE SAME PLANE.



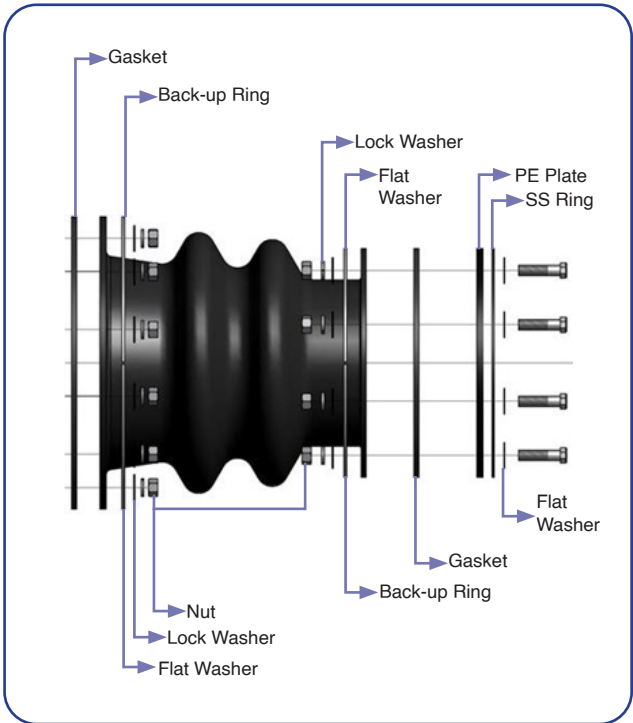
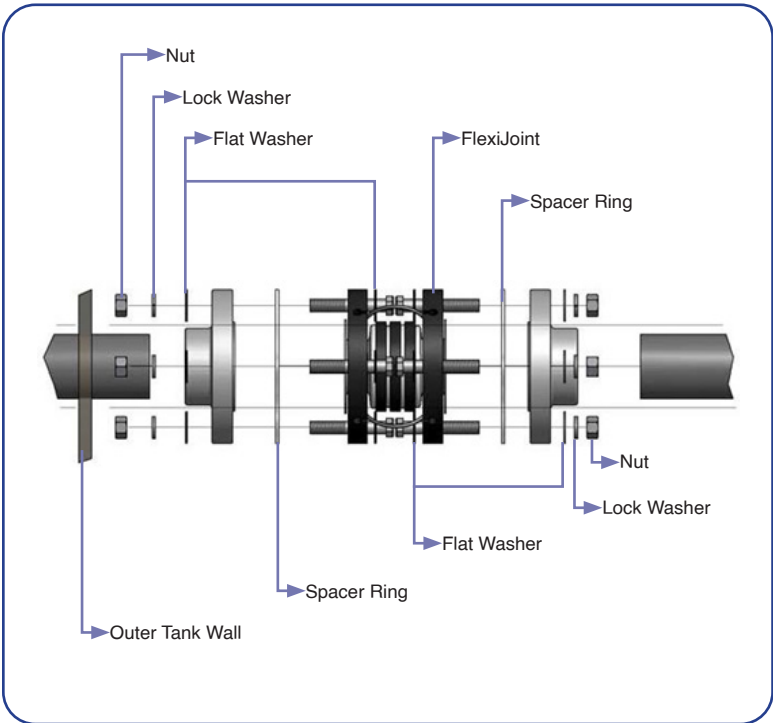
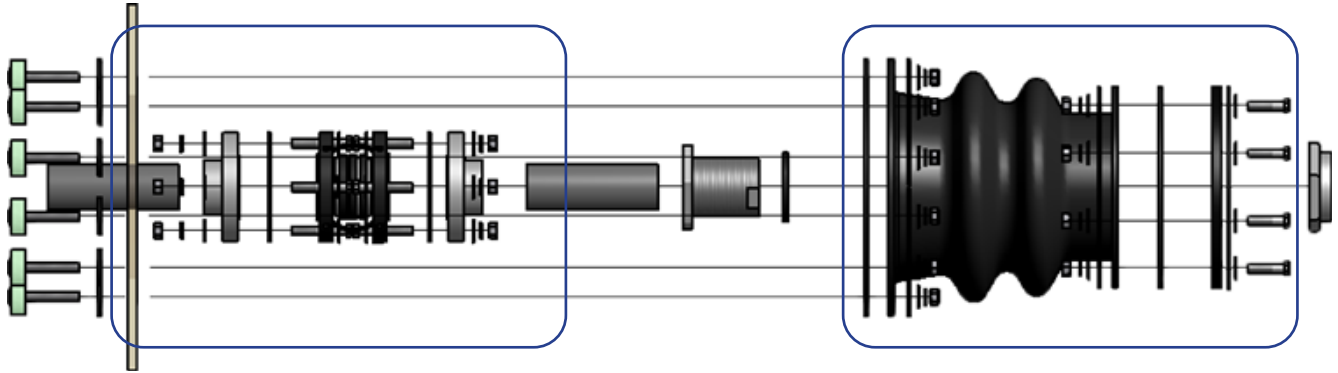
RE-INSTALL GASKET ON BHF THEN INSTALL; 6" GASKET, BLACK PE PLATE, AND 6" SPLIT RING'S USING THE PROVIDED HARDWARE. TIGHTEN NUT ONTO BHF. CONNECT PLUMBING TO FEMALE THREADED BULKHEAD FITTING. HYDRO TEST TANK



SECTIONED VIEW OF ENTIRE ASSEMBLY

**QUESTIONS CALL:
1-866-765-9957**

BELLOWS TRANSITION FITTING EXPLODED VIEW



Attention: Tank Alignment Critical

Please refer to our installation guide or see the video at www.polyprocessing.com/safetankinstall for detailed instructions

FLEXIBLE CONNECTIONS

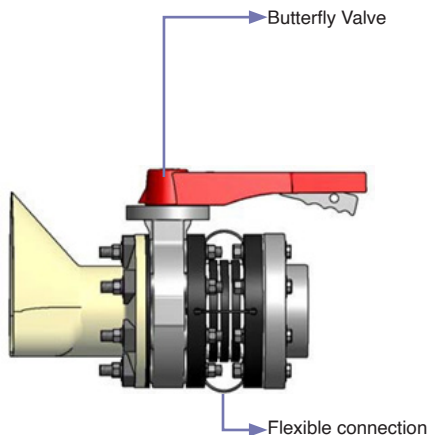
PPC requires that fittings and connecting pipes installed on the lower 1/3rd of the sidewall of a tank have flexible connections with the lowest spring rates possible to mitigate nozzle loading and to allow the tank to expand and contract and to protect the tank from pump vibrations.

The Ethylene Flex-Joint and the Proco 261R and 262R EPDM expansion joints have the lowest spring rates with the largest range of movements and are best suited for polyethylene and other plastic tank materials and piping systems. Poly Processing Company has experience with these expansion joints installed on our tanks in the field. When properly installed between the tank nozzle and the independently supported piping, the nozzle loads are reduced to the maximum spring rate of the flexible connection. Do not use expansion joints that are designed for steel piping on a plastic tank. Using the wrong expansion joint or system will void the warranty. Expansion joints should not be attached directly to the tank wall or IMFO. A full face flange must be installed on the tank first. Contact our factory with any questions.

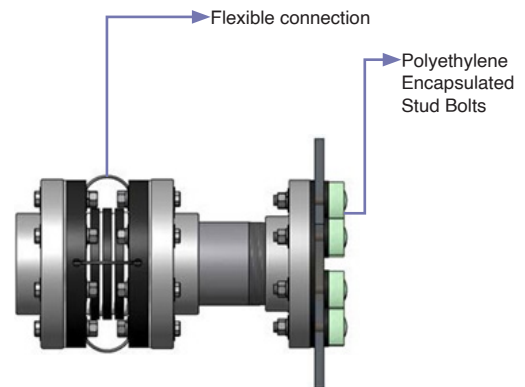
- Pipes connecting to dome fittings should also be independently supported eliminating nozzle load and do not require flexible connections

as there is little to no movement on the tank dome when the tank is filled and emptied.

- Install flexible connection in accordance with the specific manufacturer's installation guidelines:
 - The "breach opening" in the piping for the flexible connection should be within 1/8-in of the relaxed length of the flexible connection.
 - Flexible connections are not to be used for correcting piping misalignment. The flexible connection and mating flanges must be installed in a centered and neutral position.
 - Attach only FULL FACE flanges to the flexible connection. They are not designed to attach directly to the tank wall.
 - Ensure adequate clearance between bolt ends for full use of flexible connections.
 - Torque to 20 ft. lbs. using crisscross tightening pattern.
 - Provide pipe support adjacent to the flexible connection



Flexible connection installed on IMFO® flange (Optional Flange Mate Shown)



Flexible connection installed near tank sidewall (Optional Flange Mate Shown)

- Flexible Connection Minimum Specifications: (For common size fittings and piping systems up to 6") Contact Poly Processing for information on larger expansion joints.

- Axial Compression $\geq 0.67''$
- Axial Extension $\geq 0.67''$
- Lateral Deflection $\geq 0.51''$
- Angular Deflection $\geq 14^\circ$
- Torsional Rotation $\geq 4^\circ$



- Installation of flexible hose connections:
 - Use of thread sealant or Teflon tape is recommended for pipe thread preparation.
 - Support hose adequately but do not restrict its ability to move in horizontal directions.

FLEXIBLE CONNECTIONS

Proper Installation of Pipe Supports

Pipe supports positioned **CORRECTLY**: pipe support must be placed after the flexible connection to allow the tank to properly expand and contract.



Pipe supports positioned **INCORRECTLY**: pipe support incorrectly placed before the flexible connection does not allow the tank to properly expand and contract, which can cause the piping or tank to crack over time.



FLEXIBLE CONNECTIONS

Proper Installation of Expansion Joints

Flexible connections aligned **CORRECTLY**: pipe system with the expansion joint is aligned in a straight manner, which allows for proper expansion and contraction of the two connecting tanks



Flexible connections aligned **INCORRECTLY**: the expansion joint should not be used to accommodate misaligned piping. This will limit the ability of the expansion joint to function correctly and possibly damage the joint itself.



Go to www.polyprocessing.com/flex for more information

CUSTOMER INSTALLATION GUIDELINES FOR FRP LADDERS

Pre-Installation

Tank will arrive with bracket attached



Ladders will arrive packaged



Unpacking the ladder components



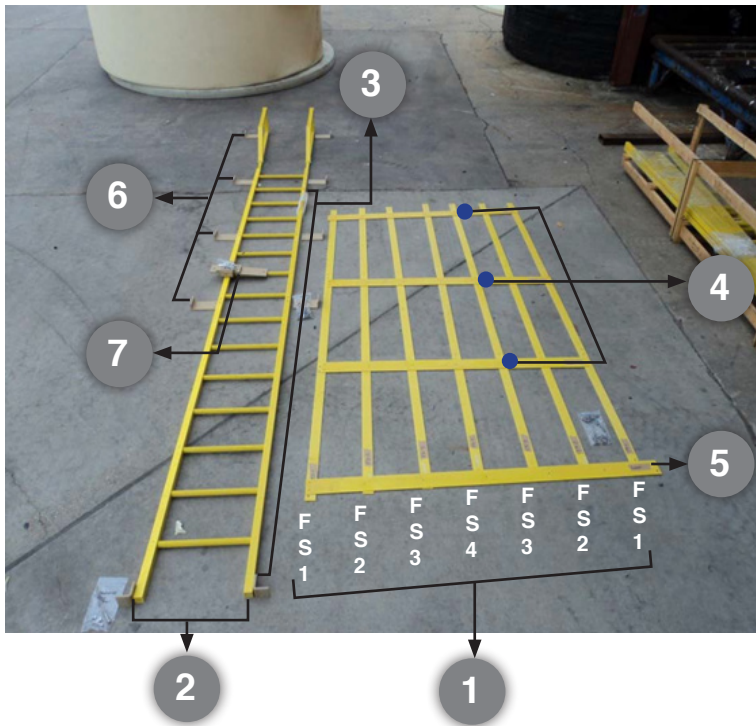
Unpacking the ladder components

Step 1: Layout the Ladder Components

FRP ladders are provided in a variety heights and assemblies. The example shown is a 15-foot ladder with cage, return, and adjustable support bracket.

EACH FRP “part” provided is labeled for easy installation. Hardware needed for each part is packaged individually for the specific use.

Laying out the components of your ladder will ensure you have all the parts needed and make installation simple.



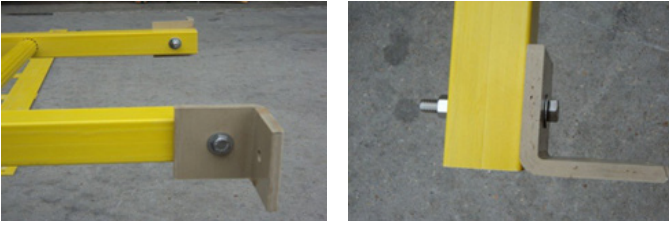
- 1 Vertical cage slats are numbered as shown in the photo and must be installed in this sequence. Both of the FS-1 slats will have additional bolt holes for attachment to the cage brackets
- 2 Feet and hardware
- 3 Main ladder span
- 4 Upper Cage Hoops
- 5 Lower Cage Hoop (the longest of the hoops)
- 6 Cage Attachment bracket for both sides of the ladder span
- 7 Adjustable support bracket

Ladder assembly and installation WARNINGS:

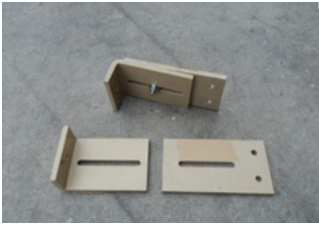


1. Make certain there is an adequate, level landing where the ladder will be installed.
2. Ladder is heavy. Use mechanical lifting equipment to raise ladder to vertical position.
3. Do not climb ladder in any manner until it is fully attached both top and bottom. Use portable ladders, scaffolding, or personnel lifts when installing ladder.
4. Do not stand or work on top of tank. The tank surfaces are flexible and slippery and a dangerous fall could occur. There is no weight or load rating for the domes of tanks.

Step 2: Attach feet to the bottom of the ladder legs



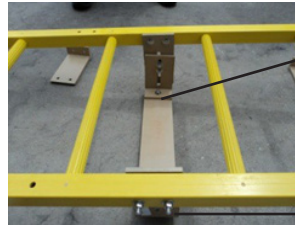
Step 3: Assemble and attach adjustable support bracket



Bolt the mounting bracket to the adjustment plate



Completed assembly



Support bracket bolted to ladder rails

Flat side of support bracket is to be directed toward the tank

Use pre-drilled holes approximately at the midpoint of ladder. Install bolts with bolt head on the inside of ladder railing and nuts and washers on the outside.

Step 4: Install returns or walk through if applicable at top of ladder



Returns/walk through sections are designed to slide inside the ladder railing

There are 2 predrilled bolt holes for the returns. bolt, washer, and nut as the bottom bolt holes will be used to attach to the ladder bracket (blue), which comes already attached to the tank.

Ladder bracket shown in photo has been removed from tank for clarity. **DO NOT** remove bracket from tank when making field installation.

Step 5: Install cage attachment brackets



Detail showing cage attachment bracket bolted to ladder railing



Photo showing location for cage attachment brackets to ladder railing (8 total). Heads of bolts are on climbers' side of ladder.

Step 6: Install cage attachment brackets



Install the hoops by bolting one side and then bending the hoop to the other side, install bolts



Labeling and sequence of installation is critical



Begin by laying both of the FS-1 vertical slats EDGE ways on the cage attachment brackets



Install the hoops by bolting one side and then bending the hoop to the other side, install bolts



Note: That Vertical slat goes inside the hoop

Finished assembly of cage

*****STOP*** Carefully check tightness, 5 ft. lbs., of all nuts and bolts before proceeding.**





Ladder assembly and installation WARNINGS:

1. Make certain there is an adequate, level landing where the ladder will be installed.
2. Ladder is heavy. Use mechanical lifting equipment to raise ladder to vertical position.
3. Do not climb ladder in any manner until it is fully attached at both top and bottom. Use portable ladders, scaffolding, or personnel lifts when installing ladder.
4. Do not stand or work on top of tank. The tank surfaces are flexible and slippery and a dangerous fall could occur.
5. There is no weight or load rating for the domes of tanks.
6. In addition:
7. Make certain the four bolts associated with the metal ladder attachment bracket are tight before using ladder.
8. No field drilling of holes in the ladder is required. Do not drill extra holes or enlarge factory drilled holes.
9. When fully assembled, the ladder and accessories should have no unfilled bolt holes.
10. Perform an annual routine inspection of the ladder tightening bolts and looking for signs of damage or deterioration. Remove any suspect ladder from service and destroy.

Step 7: Attach the ladder to the tank using the metal ladder bracket



CAUTION

Lift the ladder by mechanical means such as a forklift and align the pre-drilled holes in the top of the ladder railing with the holes in the tank's metal ladder bracket. The tabs of the ladder bracket go inside the ladder rails.



Bolt the ladder and bracket to one another using the 3/8" x 2 1/2" bolts. Torque to 5 ft. lbs.

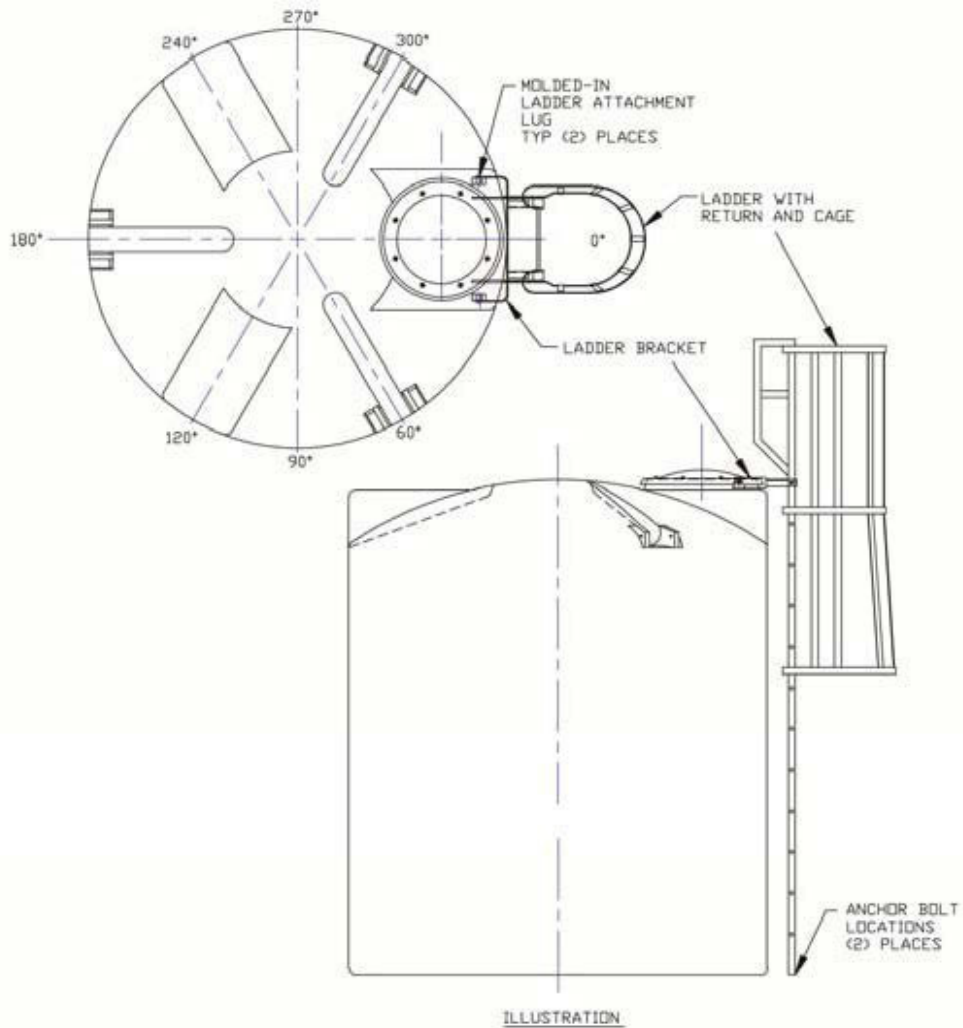
Step 8: Make Adjustments



Plumb the ladder. Mark the location for the anchor bolts. Drill anchor holes and attach ladder to foundation.

After the ladder has been aligned and securely attached at top and bottom, adjust to support bracket so that the flat side touches the outer wall of the tank, tighten support bracket bolts.

Drawing Example



RESTRAINT SYSTEMS

Wind and seismic restraint systems are governed by state and local code. Consult your local code for requirements. The drawings below show specific seismic systems. The material, type of clip, quantity of clips, cables, etc. may vary. Please consult the calculations that were sent with your system or contact Poly Processing with any questions.

1. Restraint Clips

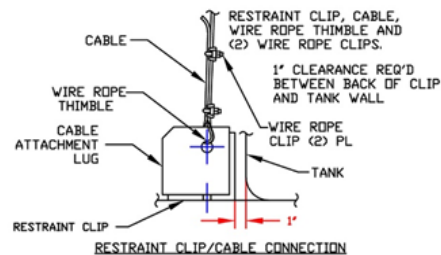
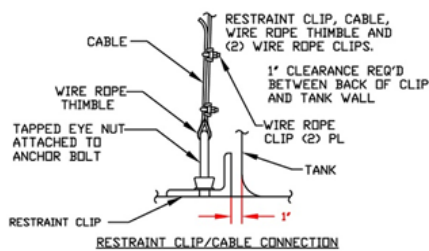
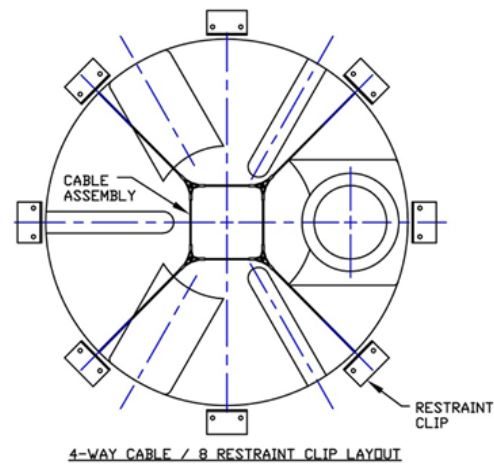
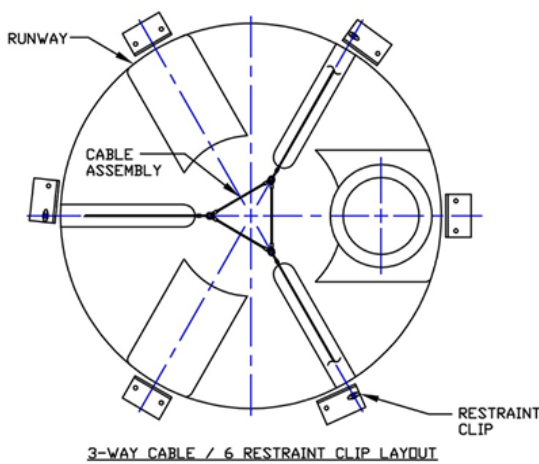
- Space equally around circumference of tank. If tank operating temperatures exceed 100° F, contact Customer Support for proper clip placement.
- Allow minimum of 1-in clearance between tank and back of clip to accommodate tank expansion.
- Attach the clips to the foundation with appropriate fasteners (customer supplied).

2. Cable Assembly

- Place cable assembly over the tank with the cable sling or tension ring at the top center of the dome.
- Pass each cable leg over the upper shell knuckle.
- Place the wire rope thimble in the eye-nut (Style A) or the hole provided in the restraint clip (Style B) and loop the cable around the thimble.
- Install the wire rope clips by forming a loop with the cable end. See instructions included with wire rope clips.
- After the cable is attached to the restraint clips, the excess cable slack must be removed. Cable tension should only be hand tight. Excessive cable tension should be avoided as it may cause undue stress and deformation to the tank.
- After cable tension is properly adjusted, the wire rope clips should be checked for proper tightening.

3. Periodic Inspection

- Periodically check cables and wire rope clips to ensure proper but not excessive tension.
- Adjust if necessary, following the last 2 steps under 2. Cable Assembly above.



HORIZONTAL TANK STANDS

NOTE: Horizontal tank stands are designed to be located on level concrete foundations or other approved surfaces. Tank stands must be bolted to the foundation. Stands for larger horizontal tanks are shipped “knocked down” to minimize freight. Small tank stands do not require assembly.

If working with a stand shipped “knocked down”:

1. Check to ensure that the following components have been received:
 - a. Vertical leg units
 - b. Side angle braces
 - c. One bag containing stainless steel tabs and bolts
2. Assemble vertical leg units to side angle braces. Square unit and tighten all bolts.

If working with any stand:

3. Place the stand on a level foundation.
4. Anchor stand to foundation with appropriate bolts. (customer supplied)
5. Center tank and skid on stand.
 - a. With a forklift, crane, or other lifting device, place the tank and skid onto the stand, being careful not to damage the skid. Protect hands and fingers from pinch points during this step.
 - b. Locate holes in the top of the stand and center the tank and skid unit on the stand.
6. Install the stainless-steel tabs and bolts using the holes in the top of the stand per photo below.
7. Hydro test the tank for at least 24 hours prior to loading with chemical.

| Tank Size | No. Upright Leg Units | No. Side Angle Braces | No. of Bolt Assemblies | No. of Tabs |
|------------|-----------------------|--------------------------|------------------------|-------------|
| 520 gal. | | stand is welded together | | 4 |
| 1,000 gal. | 2 | 4 | 14 | 4 |
| 1,950 gal. | 3 | 8 | 22 | 6 |

Note: These “knocked down” assembly instructions apply only to horizontal tank stands from Monroe, Louisiana.



Assemble Side Angle Braces



Position SS Tabs



Place Tank on Stand



Finished Assembly

START-UP CHECKLIST

- Make sure all fittings are tightened using the factory recommended torque values and techniques.
- Hydro test (water test) tank system for 24 hours before introduction of chemical. Remove all test water from tank to prevent reaction with chemical stored.
- Follow chemical manufacturer's best practices for product being stored.
- Confirm compatibility of tank, fittings, bolts and gaskets before filling tank with chemical.
- Obtain, utilize, and retain Material Safety Data Sheets (MSDS) for the chemical being stored.
- Make sure vent size is not reduced. Inspect vent lines for obstruction. Verify vent size is adequate to prevent over pressurization of the tank. Follow Poly Processing's venting guidelines. See page 4.
- Ensure flexible connections are installed on all lower sidewall fittings and that they are installed correctly. See page 26.
- Ensure there is adequate support of valves, piping and hoses and that support is installed correctly. See page 26-29
- Ensure valves are installed as close to the tank as possible. Be sure valves can be easily accessed.
- Check ladders at top and bottom for stability and safety.
- Label tank with the appropriate warning label for the chemical being stored. Do not remove Poly Processing's general warning labels.

SAFETY TIPS

- DO NOT STAND OR WALK ON TOP OF TANK. The tank surfaces are flexible and slippery and a dangerous fall can occur. There is no weight or load rating for the domes of tanks.
- Tanks are confined spaces. Follow proper entry procedures based on local, state, and federal regulations. Establish and adequate retrieval plan.
- Maintain guards, shields, barriers, and walkways to protect tank, fittings and piping from impact and to protect personnel from chemical release.



WARNING: Failure to adequately support tank, fittings, valves, piping, and hoses and to protect them from impact can cause chemical release resulting in serious injury or death.

MAINTENANCE ITEMS

- Conduct annual inspections of the tank. See page 36 for inspection guidelines.
- Inspect gaskets for signs of fatigue. Replace as necessary.
- Check bolt torque on fittings and adjust as needed. Make sure all fittings are tightened using the factory recommended torque values and techniques.
- Look for signs of stress cracking on both the exterior and interior surfaces of the tank. Look for crazing or a spider web type look.
- Check flexible connections to make sure they are functioning properly, are not in a bind, and are not worn or leaking.
- Check threaded couplers to make sure they cannot be turned by hand.
- Check for leaks at the threaded couplers. This can be caused by over tightening and can take months or years to finally give.
- Inspect valves for leaks and make sure they are working properly.
- Inspect vent lines for any restrictions or obstructions.
- Inspect ladders, brackets, stabilizers and stands for signs of corrosion.

ANNUAL TANK INSPECTION CHECKLIST

Even relatively new polyethylene tanks should receive routine and careful visual inspections. These inspection guidelines should be followed at least annually to ensure the safety of personnel and the preservation of the chemical stored. The tank should be replaced if it displays stress cracking, crazing, or embrittlement.

- Empty the tank. Neutralize any chemical remaining. Thoroughly clean the exterior and interior of the tank. A dirty tank cannot be properly inspected.
- Examine the exterior and the interior of the tank for cracking, crazing and brittle appearance.
- Pay particular attention to areas around fittings and where different portions of the tank converge into one another. In other words, give special attention to “corners” where sidewall and dome meet and where sidewall and bottom meet.
- If a confined space entry is not feasible, use a bright light source to inspect the tank interior from the manway opening. An interior inspection is essential because stress cracks normally show up on the inside of a tank before appearing on the outside.
- Don’t forget to inspect areas of the tank that never actually come in contact with the chemical stored. With fume-emitting chemicals, oxidation and resulting embrittlement of the dome can occur without any actual contact with the chemical stored.
- Inspect fittings, flexible connection hoses, and gaskets for leaks and signs of general corrosion or deterioration.
- Inspect vents and fume scrubbers to ensure adequate venting for pressure and vacuum. Ensure end of scrubber piping is never submerged in more than 6 inches of liquid.
- Confirm that filling of the tank from tanker trucks is not causing over pressurization and not ending with a line purge that “balloons” the tank. See “VENTING” on page 4.
- Confirm secondary containment is appropriate for chemical stored, adequate in size, and in good repair.



WARNING: Failure to follow these inspection guidelines and take necessary corrective actions can result in unintended chemical release causing serious property damage, injury, or death.

Chemical fumes may be present in the area of the manway opening.

A tank is a confined space. Do not enter tank without a confined space entry and retrieval plan.

Use lift equipment and/or fall protection to prevent fall into or away from tank.

DO NOT STAND OR WORK ON TOP OF TANK. Dome surfaces are flexible and slippery. The dome may be embrittled. A dangerous fall could occur.

LIMITED WARRANTY

| Poly Processing Company Product | Warranty Period |
|----------------------------------------------------------------------------------------------------------------------------------------------------------------------------------------------------------------------------------------------------------------|-----------------|
| CROSSLINKED POLYETHYLENE TANKS for all suitable applications except those listed below Max tank size for on-site generation of low concentration sodium hypochlorite (.8%) is 4000 gal unless larger size approved for specific application | 5 Yrs |
| IMFO® TANKS STORING SODIUM HYPOCHLORITE 9 – 15 wt.% (refer to PPC Position Statement) HDXLPE w/ OR-1000™, 1.9 spg. rating | 5 yrs. |
| NON-IMFO® TANKS STORING SODIUM HYPOCHLORITE 9 –15 wt.% (refer to PPC Position Statement for System Requirements) 1000 gallons and larger: HDXLPE w/ OR-1000™, 1.9 spg. rating Less than 1000 gallons: HDXLPE 1.9 spg. rating | 3 yrs. |
| TANKS STORING SULFURIC ACID ≤ 98% CONCENTRATION (refer to PPC Position Statement for System Requirements) Sulfuric Acid may be stored in tanks less than 11,000 gallons and less than 15' tall. This includes vertical, IMFO®, Sloped IMFO®, and SAFE-Tank® | 3 yrs. |
| TANKS STORING HYDROCHLORIC ACID ≤ 37% CONCENTRATION (refer to PPC Position Statement) HDXLPE w/ OR-1000™, 1.9 spg. rating | 5 yrs. |
| TANKS STORING HYDROCHLORIC ACID ≤ 37% CONCENTRATION (refer to PPC Position Statement) HDXLPE 1.9 spg. rating | 3 yrs. |
| LINEAR POLYETHYLENE TANKS - for all suitable applications except Sodium Hypochlorite 9 – 15%; Sulfuric Acid and Hydrochloric Acid of any concentration | 3 yrs. |

Chemical manufacturing service, rental service, mobile service, and elevated temperature service are special applications. Contact Poly Processing Customer Service for warranty for these applications.

Poly Processing Company’s warranty consists of repair or ONE-TIME replacement of defective product. Owner and/or user may be requested to provide a cleaned section of the product in question for evaluation. Product disposal or alternate use is the owner and/or user’s responsibility. Warranty begins at date of shipment from PPC plant.

Standard Poly Processing parts and ancillary items are warranted for ninety (90) days. Electrical heat tracing systems are warranted ONE YEAR. Non- standard parts warranty is by manufacturer.

Poly Processing Company's liability is limited to either repair or replacement of its product. By accepting delivery of the product, owner and/or user waives any claim against PPC for incidental or consequential damages as they relate to lost profits or sales or to injury of persons or property, including secondary containment. Owner and/or user accepts full responsibility for providing secondary containment appropriate and adequate for the stored material.

This warranty will be nullified if:

1. Product has been used in manner other than its originally declared purpose or if PPC tank recommendations have not been followed.
2. Product has not been installed, used, and maintained in accordance with a) all federal, state, and local laws and regulations; b) generally accepted best practices within the applicable industry; c) guidelines set forth in the PPC Installation Manual and/or in PPC Position Statements.
3. Product has been altered or repaired by unauthorized personnel.
4. Notification of the defect has not been made in writing within the warranty period.
5. Invoice for product has not been paid.

Product has been subjected to misuse, negligence, fire, accident, act of war, or act of God.

The limited warranty described herein is Poly Processing Company's sole warranty and the complete, final and exclusive statement of the terms of the warranty. Owner and/or user may not rely on any oral statement or representations. This warranty is neither assignable nor transferable.

Below are links to additional IOM information which you may find helpful:

[SAFE-Tank and Enhanced Bellows Fitting Installation](#)

[PPC Heat Maintenance System User Manual](#)

[Repairing a Scratch in a Polyethylene Tank](#)

[Repairing a Gouge in a Foamed Tank](#)

[Installing a PVC Bolted Flange Fitting](#)

[Poly Processing's Video Collection](#)



POLYPROCESSING
SOLUTIONS, SIMPLIFIED.

Company Headquarters

P.O. Box 4150 (71211)
2201 Old Sterlington Road
Monroe, Louisiana 71203
Tel: 866-765-9957

8055 S. Ash St.
French Camp, CA 95231

161 McGhee Road
Winchester, VA 22603