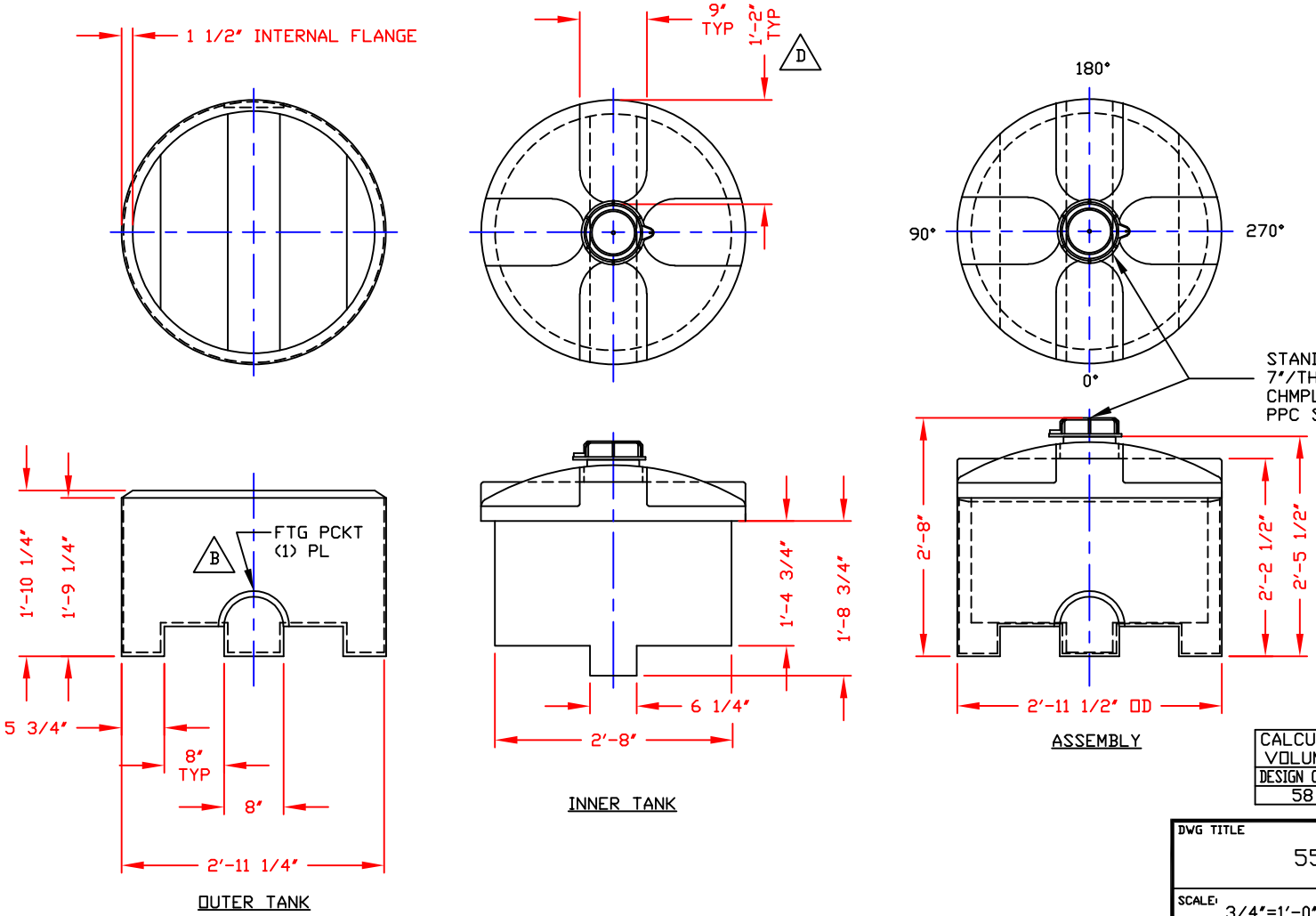


NON-CONTROLLED COPY  
 INFORMATION SUBJECT TO CHANGE WITHOUT NOTICE  
 VERIFY REV LEVEL OF PAPER COPY WITH REV LEVEL ON PPC WEB SITE

**NOTES**  
 1. THIS IS A COMPUTER GENERATED DWG. DO NOT REVISE BY HAND  
 2. DIMENSIONS WILL VARY ±3% DUE TO VARIATIONS IN MULTIPLE MOLDS & CONDITIONS PREVALENT DURING MANUFACTURE & USAGE.




STANDARD COVER: **C**  
 7"/TH'D CAP/BLANK/  
 CHMPLS/BLACK PE  
 PPC STOCK NO. 4565

**NOTE:** **A**  
 MUST USE FLEXIBLE  
 CONNECTIONS ALL  
 LOWER SIDEWALL  
 FITTINGS

CALCULATED CAPACITIES/ VOLUME IN U.S. GALLONS		
DESIGN CAP	DOME VOL	TOTAL VOL
58	11	69

CONFIDENTIAL PROPERTY OF  
 POLY PROCESSING COMPANY  
 NOT FOR REPRINT OR USE  
 WITHOUT PERMISSION

REV "D" REVISED DOME FLATS BY:JB 12/5/12 CK:WM
REV "C" REVISED COVER BY:JB 7/27/09 CK:WM
REV "B" ADDED FTG POCKET BY:MBW 7/13/04 CK:JB
REV "A" ADDED FITTING NOTE BY:MBW 4/15/03 CK:JB

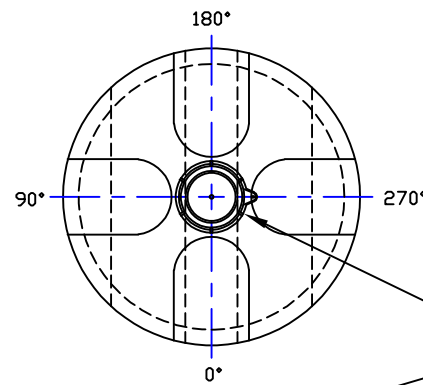
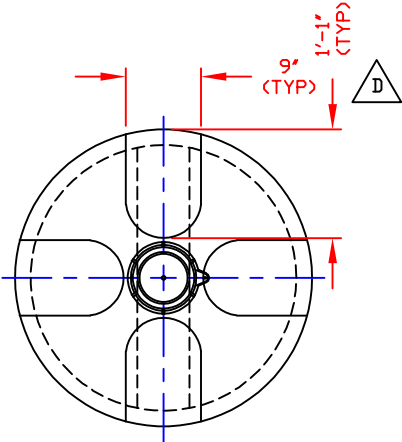
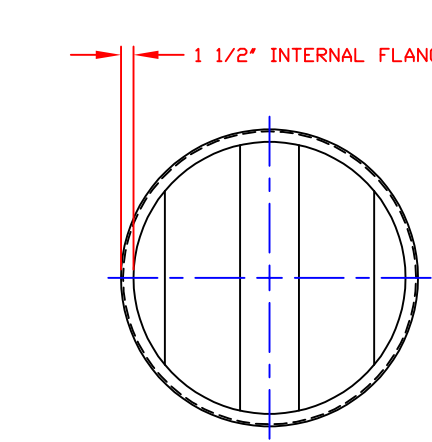
DWG TITLE		55 GALLON SAFE-TANK (LA)		
SCALE:	3/4"=1'-0"	 Central Region P.O. Box 4150 (71211) 2801 Oak Street Monroe, LA 71203 (504) 343-7565 FAX (504) 343-8795	DR:	B. HARPER
DATE:	09/11/19		CK:	
		SHEET	COMPUTER FILE	REV
		1 OF 1	SAFE-A-00055	D

B-29

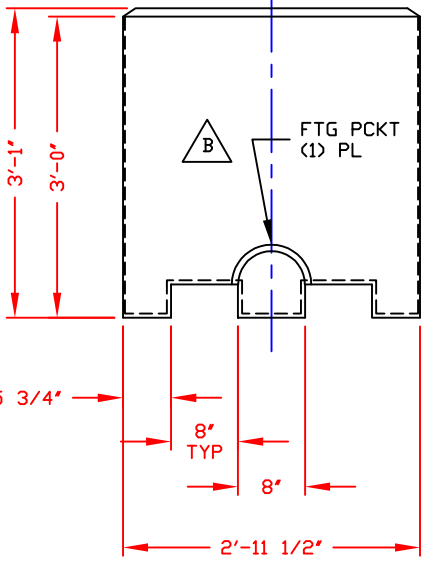
NON-CONTROLLED COPY  
 INFORMATION SUBJECT TO CHANGE WITHOUT NOTICE  
 VERIFY REV LEVEL OF PAPER COPY WITH REV LEVEL ON PPC WEB SITE

**NOTES:**  
 1. THIS IS A COMPUTER GENERATED DWG. DO NOT REVISE BY HAND.  
 2. DIMENSIONS WILL VARY ±3% DUE TO VARIATIONS IN MULTIPLE MOLDS & CONDITIONS PREVALENT DURING MANUFACTURE & USAGE.

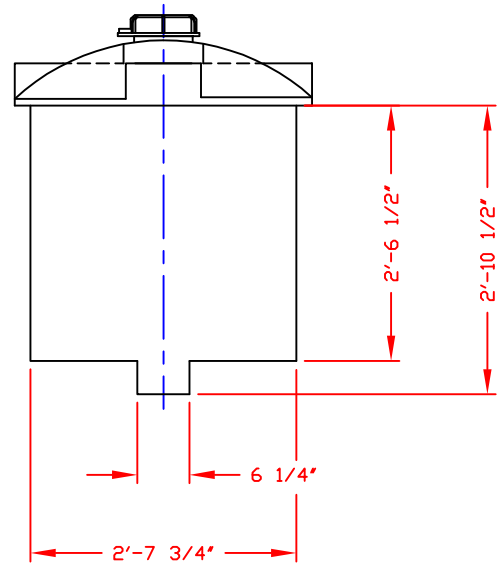
1 1/2" INTERNAL FLANGE



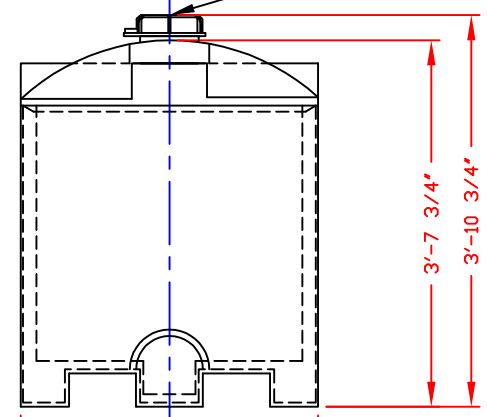
**C**  
 STANDARD COVER:  
 7" TH'D CAP/BLANK/  
 CHMPLS/BLACK PE  
 PPC STOCK NO. 4565



OUTER TANK



INNER TANK



ASSEMBLY

**NOTE:**  
**A**  
 MUST USE FLEXIBLE  
 CONNECTIONS ALL  
 LOWER SIDEWALL  
 FITTINGS

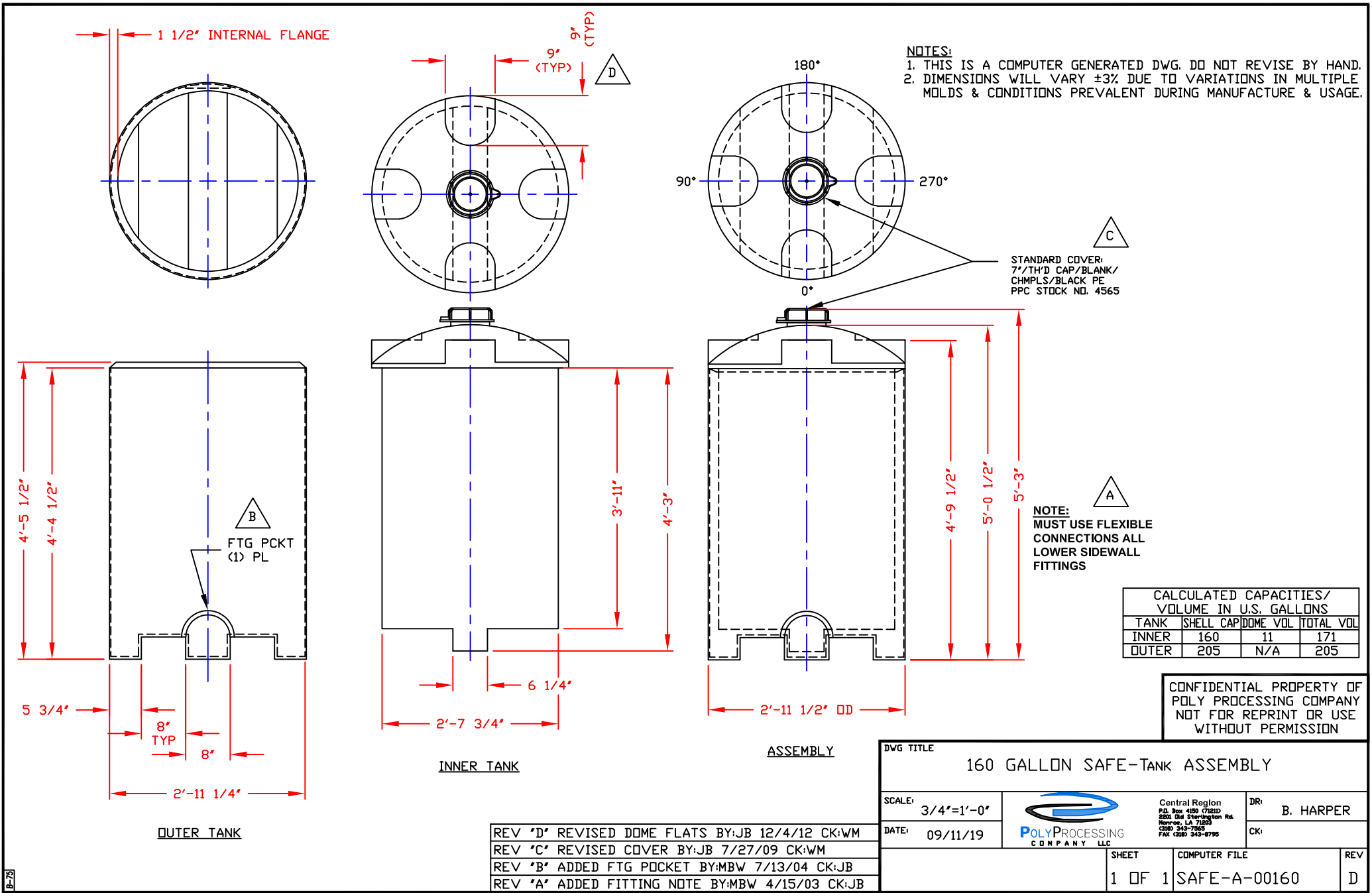
CALCULATED CAPACITIES/ VOLUME IN U.S. GALLONS		
DESIGN CAP	DOME VOL	TOTAL VOL
105	11	116

CONFIDENTIAL PROPERTY OF  
 POLY PROCESSING COMPANY  
 NOT FOR REPRINT OR USE  
 WITHOUT PERMISSION


REV "D" REVISED DOME FLATS BY:JB 12/5/12 CK:WM
REV "C" REVISED COVER BY:JB 7/27/09 CK:WM
REV "B" ADDED FTG POCKET BY:MBW 7/13/04 CK:JB
REV "A" ADDED FITTING NOTE BY:MBW 4/15/03 CK:JB

DWG TITLE 105 GALLON SAFE-TANK ASSEMBLY		Central Region P.O. Box 4150 (71811) 2801 Oak Streetington Rd. Morse, LA 71265 CITY 343-7565 FAX (504) 343-8795		DR: B. HARPER
SCALE: 3/4"=1'-0"	POLYPROCESSING SOLUTIONS. SIMPLIFIED.	SHEET 1 OF 1		COMPUTER FILE SAFE-A-00105
DATE: 09/11/19		REV D		

NON-CONTROLLED COPY  
 INFORMATION SUBJECT TO CHANGE WITHOUT NOTICE  
 VERIFY REV LEVEL OF PAPER COPY WITH REV LEVEL ON PPC WEB SITE



REV "D" REVISED DOME FLATS BY:JB 12/4/12 CK:WM
REV "C" REVISED COVER BY:JB 7/27/09 CK:WM
REV "B" ADDED FTG POCKET BY:MBW 7/13/04 CK:JB
REV "A" ADDED FITTING NOTE BY:MBW 4/15/03 CK:JB

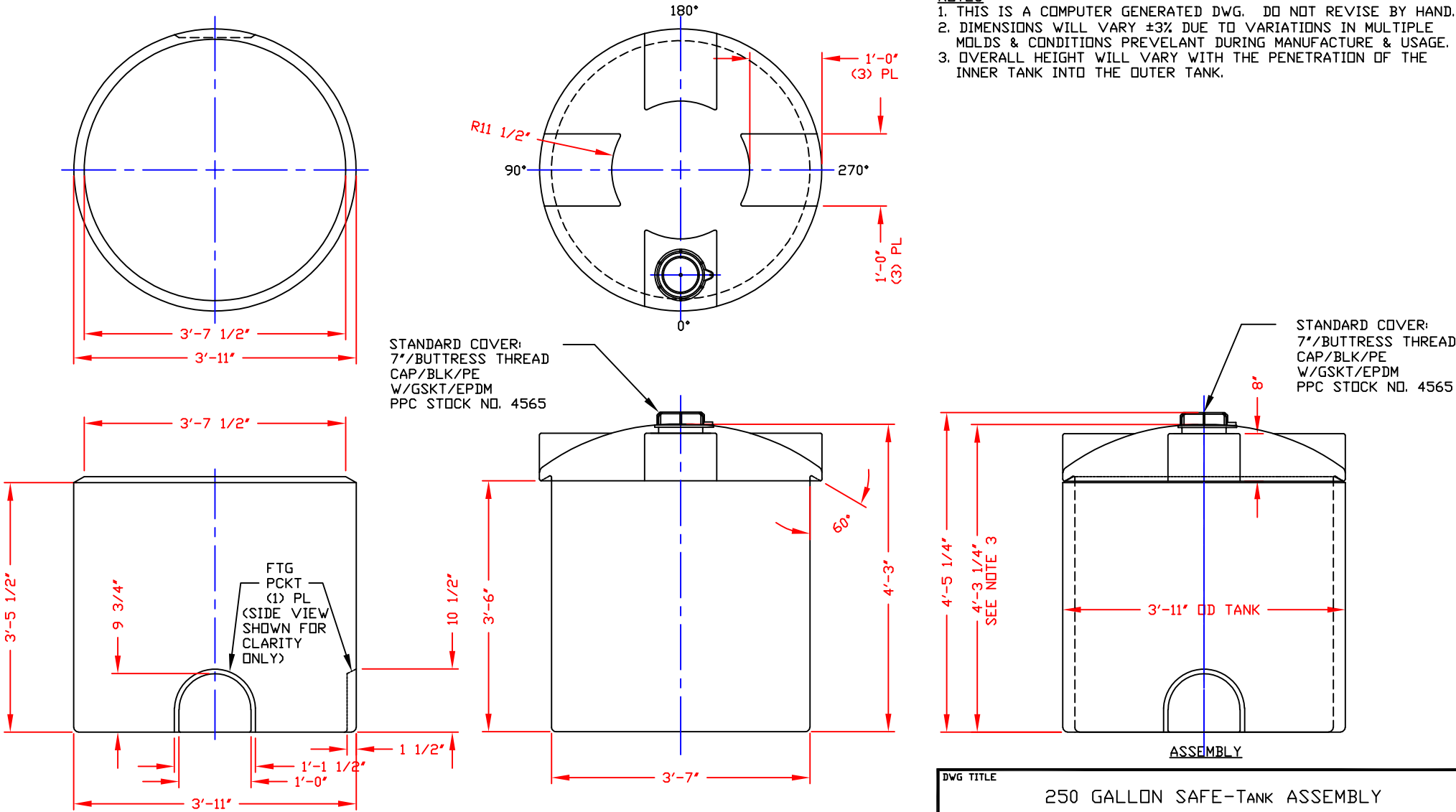
DWG TITLE		160 GALLON SAFE-TANK ASSEMBLY		
SCALE:	3/4"=1'-0"	 Central Region P.O. Box 4150 (71811) 8201 Old Sterlington Rd. Monroe, LA 71203 (504) 343-7565 FAX (504) 343-8795	DR:	B. HARPER
DATE:	09/11/19		CK:	
SHEET		COMPUTER FILE	REV	
1 OF 1		SAFE-A-00160	D	

B-29

NON-CONTROLLED COPY  
 INFORMATION SUBJECT TO CHANGE WITHOUT NOTICE  
 VERIFY REV LEVEL OF PAPER COPY WITH REV LEVEL ON PPC WEB SITE

**NOTES**

1. THIS IS A COMPUTER GENERATED DWG. DO NOT REVISE BY HAND.
2. DIMENSIONS WILL VARY ±3% DUE TO VARIATIONS IN MULTIPLE MOLDS & CONDITIONS PREVELANT DURING MANUFACTURE & USAGE.
3. OVERALL HEIGHT WILL VARY WITH THE PENETRATION OF THE INNER TANK INTO THE OUTER TANK.



STANDARD COVER:  
 7"/BUTTRESS THREAD  
 CAP/BLK/PE  
 W/GSKT/EPDM  
 PPC STOCK NO. 4565

STANDARD COVER:  
 7"/BUTTRESS THREAD  
 CAP/BLK/PE  
 W/GSKT/EPDM  
 PPC STOCK NO. 4565


OUTER TANK

INNER TANK

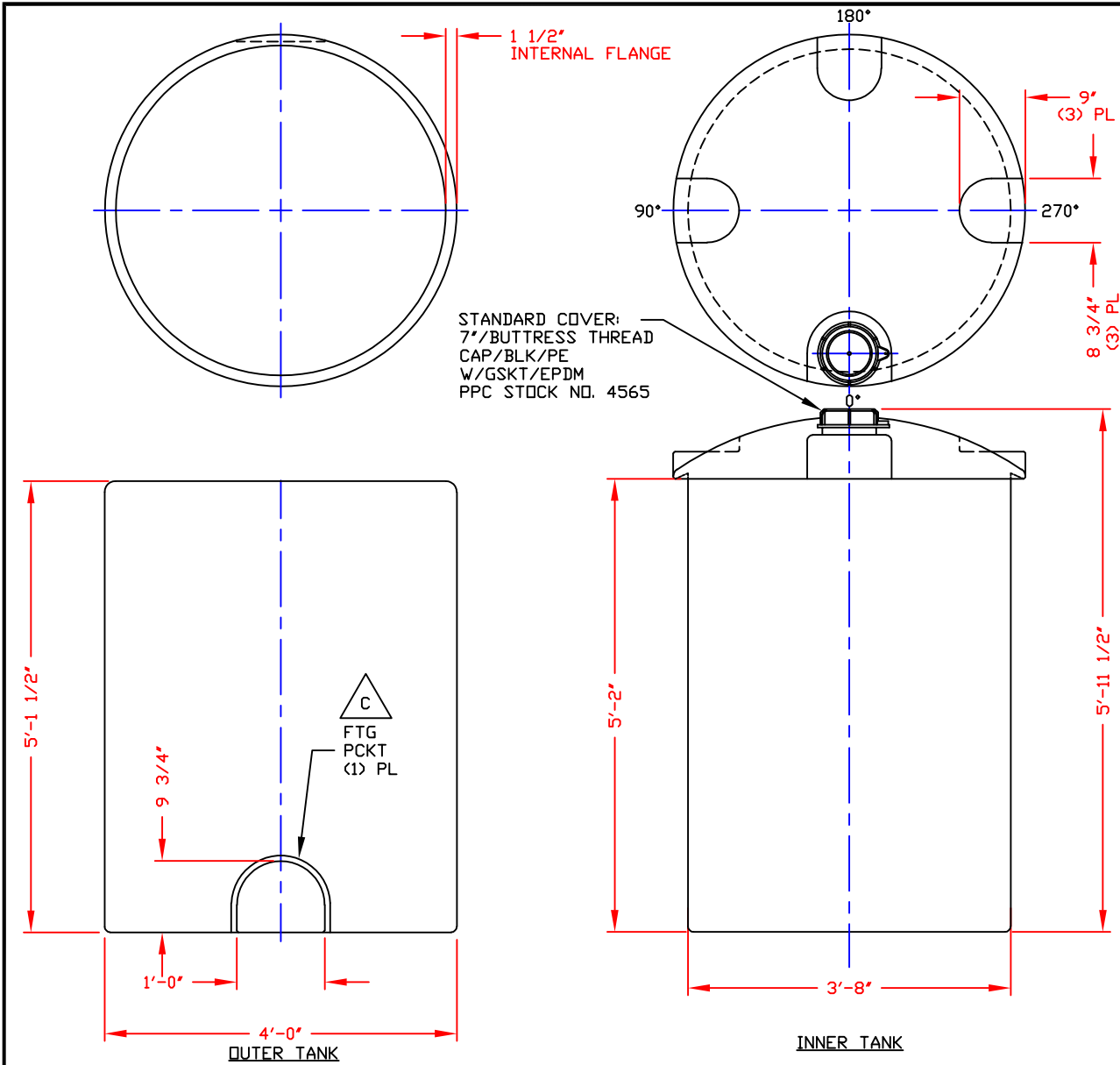
ASSEMBLY

CALCULATED CAPACITIES/ VOLUME IN U.S. GALLONS			
TANK	SHELL CAP	DOME VOL	TOTAL VOL
INNER	258	25	283
OUTER	304	N/A	304

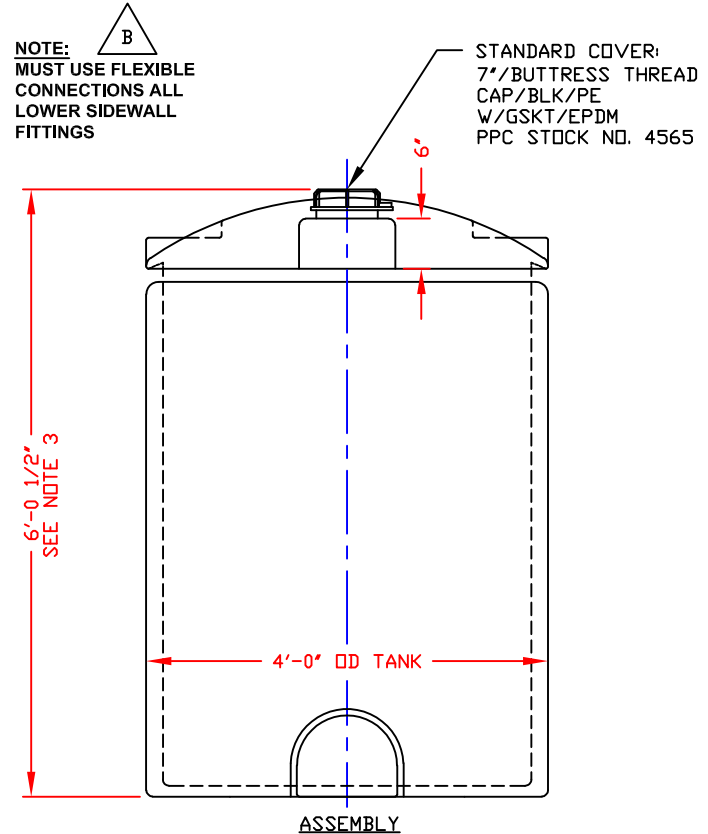
CONFIDENTIAL PROPERTY OF  
 POLY PROCESSING COMPANY  
 NOT FOR REPRINT OR USE  
 WITHOUT PERMISSION

DWG TITLE			
250 GALLON SAFE-TANK ASSEMBLY			
SCALE:	3/4"=1'-0"	 Central Region P.O. Box 4150 (71811) 2501 Old Sterlington Rd. Monroe, LA 71203 (504) 343-7565 FAX (504) 343-8795	DR:
DATE:	09/11/19		CK:
SHEET		COMPUTER FILE	REV
1 OF 1		SAFE-A-00250	-

NON-CONTROLLED COPY  
 INFORMATION SUBJECT TO CHANGE WITHOUT NOTICE  
 VERIFY REV LEVEL OF PAPER COPY WITH REV LEVEL ON PPC WEB SITE



- NOTES**
1. THIS IS A COMPUTER GENERATED DWG. DO NOT REVISE BY HAND.
  2. DIMENSIONS WILL VARY ±3% DUE TO VARIATIONS IN MULTIPLE MOLDS & CONDITIONS PREVELANT DURING MANUFACTURE & USAGE.
  3. OVERALL HEIGHT WILL VARY WITH THE PENETRATION OF THE INNER TANK INTO THE OUTER TANK.



REV "D" REVISED FOR MOLD MODIFICATIONS BY:MBW 3/28/06 CK:WM  
 REV "C" ADDED FTG POCKET BY:MBW 7/9/04 CK:JB  
 REV "B" ADDED FITTING NOTE BY:MBW 4/15/03 CK:JB  
 REV "A" REVISED & REDRAWN FOR MOLD MODIFICATIONS BY:MBW 7/24/00 CK:JB

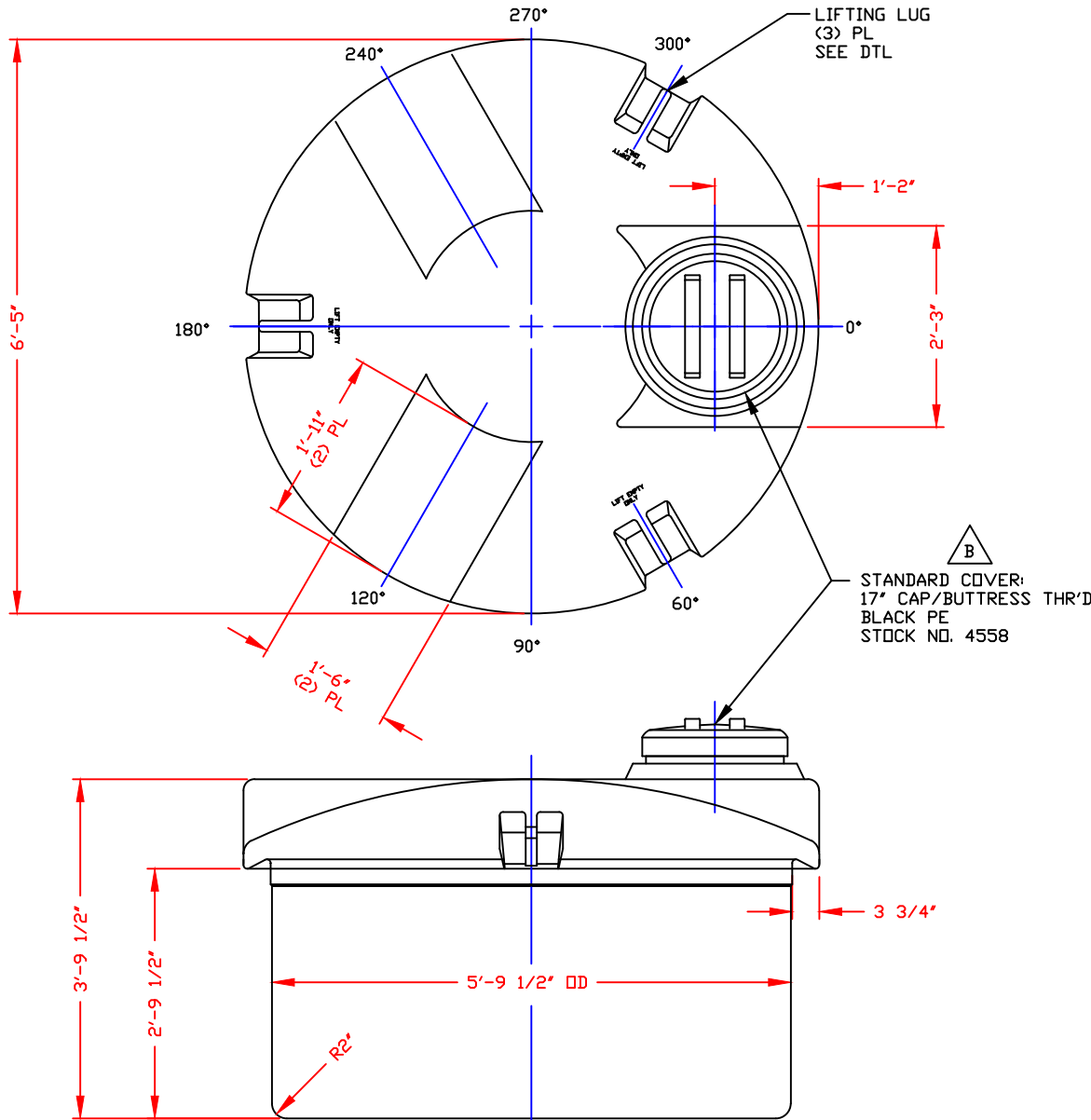
CALCULATED CAPACITIES/ VOLUME IN U.S. GALLONS			
TANK	SHELL CAP	DOME VOL	TOTAL VOL
INNER	405	25	430
OUTER	467	N/A	467

CONFIDENTIAL PROPERTY OF  
 POLY PROCESSING COMPANY  
 NOT FOR REPRINT OR USE  
 WITHOUT PERMISSION

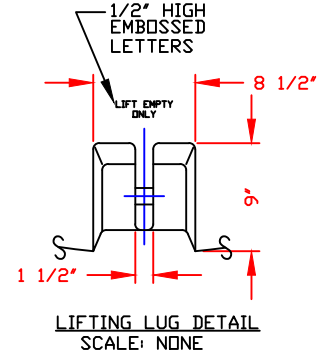
DWG TITLE		405 GALLON SAFE-TANK ASSEMBLY		
SCALE:	3/4"=1'-0"	 Central Region P.O. Box 4159 (71211) 8201 Old Sterlington Rd. Monroe, LA 71203 (504) 343-7565 FAX (504) 343-8795	DR:	B. HARPER
DATE:	09/11/19		CK:	
SHEET		COMPUTER FILE	REV	
1 OF 1		SAFE-A-00405	D	



NON-CONTROLLED COPY  
 INFORMATION SUBJECT TO CHANGE WITHOUT NOTICE  
 VERIFY REV LEVEL OF PAPER COPY WITH REV LEVEL ON PPC WEB SITE



SERVICE	MK	STOCK NO.	SIZE	FITTING	DEG	ELEV



- NOTES:
1. THIS IS A COMPUTER GENERATED DWG. DO NOT REVISE BY HAND.
  2. DIMENSIONS WILL VARY ±3% DUE TO VARIATIONS IN MULTIPLE MOLDS & CONDITIONS PREVALENT DURING MANUFACTURE & USAGE.
  3. FOR OUTER TANK DTLS SEE COMPUTER FILE NO. 2100655, TITLE "540 GALLON OUTER SAFE-TANK/655 GALLON OPEN TOP TANK." FOR ASSEMBLY SEE COMPUTER FILE NO. 2000540A, TITLE "540 GALLON SAFE-TANK ASSEMBLY."

DESIGN CAP	DOME VOL	TOTAL VOL
542	105	647

CONFIDENTIAL PROPERTY OF  
 POLY PROCESSING COMPANY  
 NOT FOR REPRINT OR USE  
 WITHOUT PERMISSION

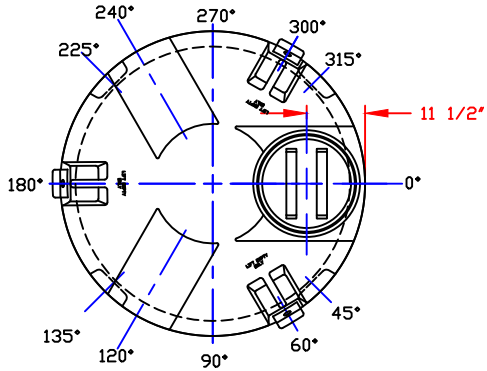
DWG TITLE 540 GALLON INNER SAFE-TANK			
SCALE: 3/4"=1'-0"	 POLYPROCESSING SOLUTIONS, SIMPLIFIED	Central Region P.O. Box 4180 (71820) 2201 Dal Strongington Rd. Monroe, LA 71203 Cell: 348-7618 Fax: (228) 348-8795	DR: B. HARPER
DATE: 09/11/19		CK: D. RECTOR	
SHEET 1 OF 1		COMPUTER FILE SAFE-I-00540	REV B

REV "B" REVISED COVER BY:JB 7/27/09 CK:WM  
 REV "A" REVISED FOR MOLD MODIFICATIONS BY:MBW 1/28/03 CK:BT

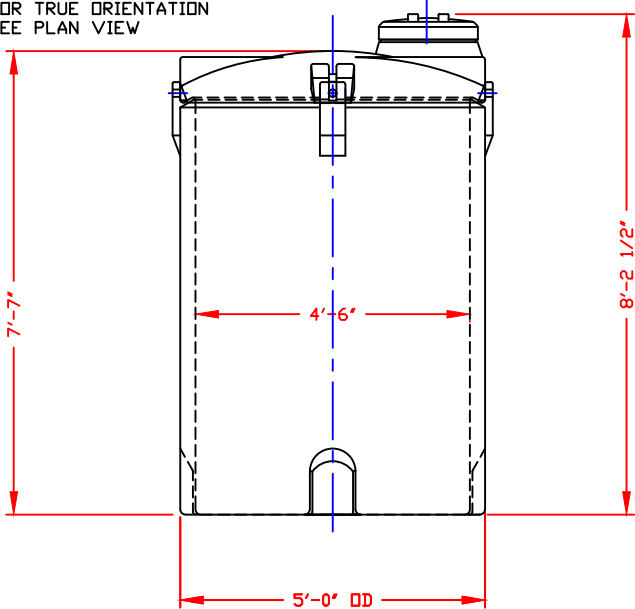




NON-CONTROLLED COPY  
 INFORMATION SUBJECT TO CHANGE WITHOUT NOTICE  
 VERIFY REV LEVEL OF PAPER COPY WITH REV LEVEL ON PPC WEB SITE




ELEVATIONS ONLY--  
 NOZZLES & ACCESSORIES  
 ROTATED INTO VIEW--  
 FOR TRUE ORIENTATION  
 SEE PLAN VIEW



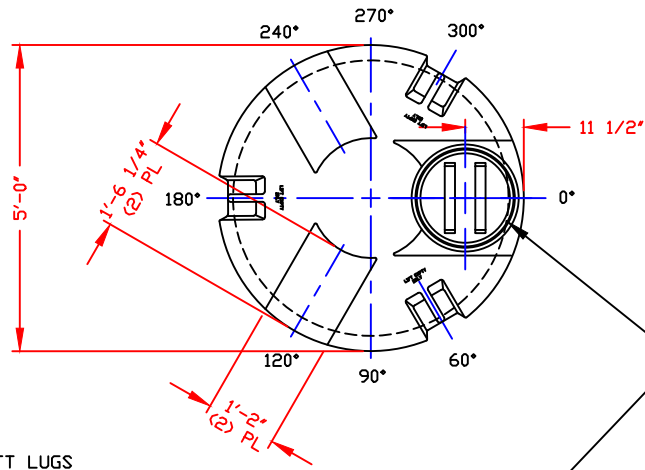
NOTE:  
 MUST USE FLEXIBLE  
 CONNECTIONS ALL  
 LOWER SIDEWALL  
 FITTINGS

CALCULATED CAPACITIES/ VOLUME IN U.S. GALLONS			
TANK	DESIGN CAP	DOME VOL	TOTAL VOL
INNER	750	56	806
OUTER	944	N/A	944

- NOTES:
- THIS IS A COMPUTER GENERATED DWG. DO NOT REVISE BY HAND.
  - DIMENSIONS WILL VARY ±3% DUE TO VARIATIONS IN MULTIPLE MOLDS & CONDITIONS PREVALENT DURING MANUFACTURE & USAGE.
  - INNER TANK DESIGNED FOR 1.9 SpG MAT'L @ 100°F/ATMOS PRESSURE  
 OUTER TANK DESIGNED FOR 1.9 SpG MAT'L @ 100°F/ATMOS PRESSURE

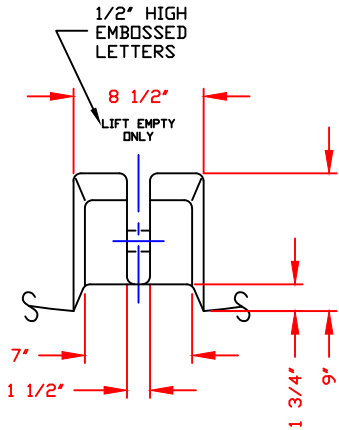
DWG TITLE		750 GALLON SAFE-TANK ASSEMBLY	
SCALE: 1/2"=1'-0"		DATE: 09/11/19	
SERVICE: XXXXX		DR: B. HARPER	
		Central Region P.O. Box 4120 (71810) 2001 Old Springton Rd. Monroe, LA 71202 (504) 343-7180 FAX (504) 343-8795	
SHEET 1 OF 1		COMPUTER FILE	REV -
		SAFE-A-00750	

NON-CONTROLLED COPY  
 INFORMATION SUBJECT TO CHANGE WITHOUT NOTICE  
 VERIFY REV LEVEL OF PAPER COPY WITH REV LEVEL ON PPC WEB SITE

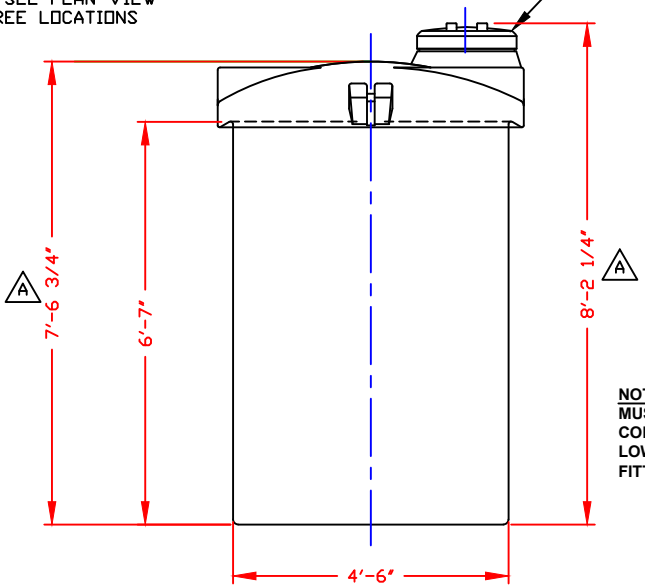


STANDARD COVER:  
 17" CAP/BUTTRESS THR'D  
 BLACK PE  
 STOCK NO. 4558

NOTE: LIFT LUGS  
 ROTATED INTO VIEW FOR  
 CLARITY. SEE PLAN VIEW  
 FOR DEGREE LOCATIONS



LIFTING LUG DETAIL  
 SCALE: NONE



NOTE:  
 MUST USE FLEXIBLE  
 CONNECTIONS ALL  
 LOWER SIDEWALL  
 FITTINGS

NOTES:  
 1. THIS IS A COMPUTER GENERATED DWG. DO NOT REVISE BY HAND.  
 2. DIMENSIONS WILL VARY ±3% DUE TO VARIATIONS IN MULTIPLE  
 MOLDS & CONDITIONS PREVALENT DURING MANUFACTURE & USAGE.

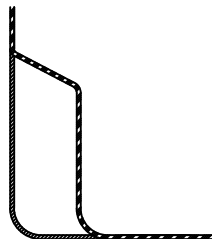
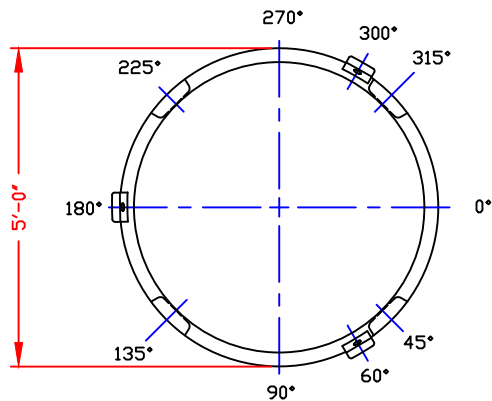
CALCULATED CAPACITIES/ VOLUME IN U.S. GALLONS		
TANK	DESIGN CAP	DOME VOL/TOTAL VOL
INNER	750	56 806

CONFIDENTIAL PROPERTY OF  
 POLY PROCESSING COMPANY  
 NOT FOR REPRINT OR USE  
 WITHOUT PERMISSION

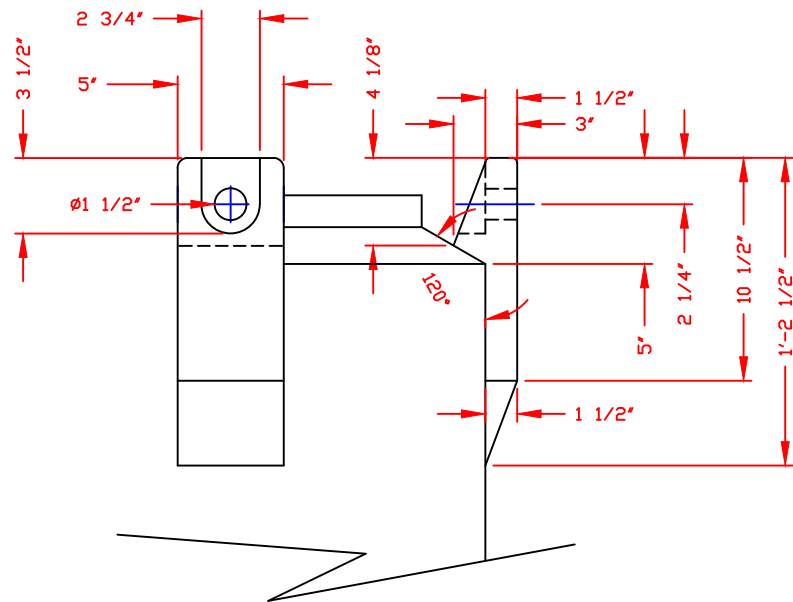
DWG TITLE 750 GALLON SAFE-TANK INNER			
SCALE: 1/2"=1'-0"		DR: B. HARPER	REV A
DATE: 09/11/19		CK:	
SHEET 1 OF 1		COMPUTER FILE SAFE-I-00750	

REV "A" REVISED DIMENSIONS BY:JB 5/11/16

NON-CONTROLLED COPY  
 INFORMATION SUBJECT TO CHANGE WITHOUT NOTICE  
 VERIFY REV LEVEL OF PAPER COPY WITH REV LEVEL ON PPC WEB SITE

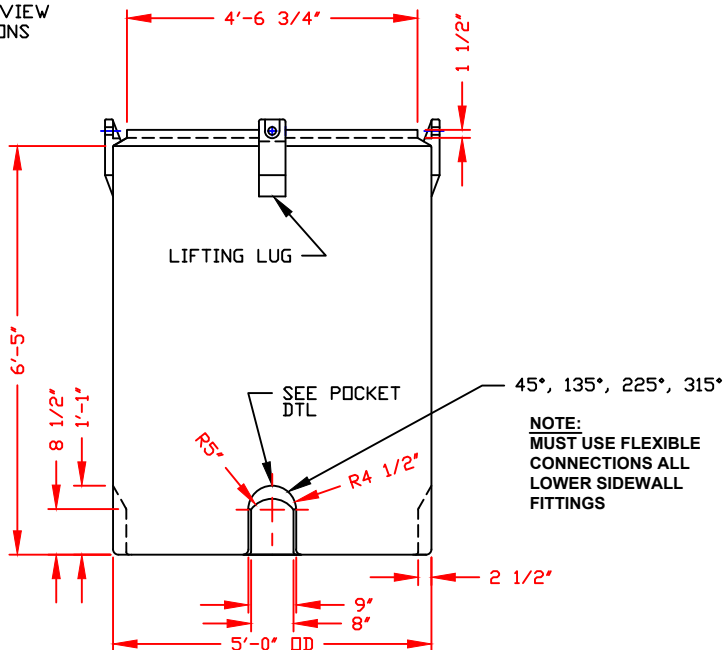


**POCKET DETAIL**  
SCALE: NONE



**LUG DETAIL**  
SCALE: NONE

NOTE: LUGS & POCKETS  
 ROTATED INTO VIEW FOR  
 CLARITY. SEE PLAN VIEW  
 FOR DEGREE LOCATIONS



NOTE:  
 MUST USE FLEXIBLE  
 CONNECTIONS ALL  
 LOWER SIDEWALL  
 FITTINGS

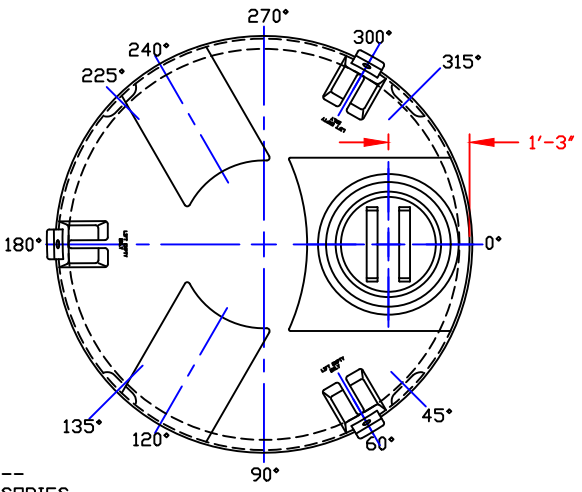
- NOTES:  
 1. THIS IS A COMPUTER GENERATED DWG. DO NOT REVISE BY HAND.  
 2. DIMENSIONS WILL VARY ±3% DUE TO VARIATIONS IN MULTIPLE  
 MOLDS & CONDITIONS PREVALENT DURING MANUFACTURE & USAGE.

CALCULATED CAPACITIES/ VOLUME IN U.S. GALLONS			
TANK	DESIGN CAP	DOME VOL	TOTAL VOL
OUTER	944	N/A	944

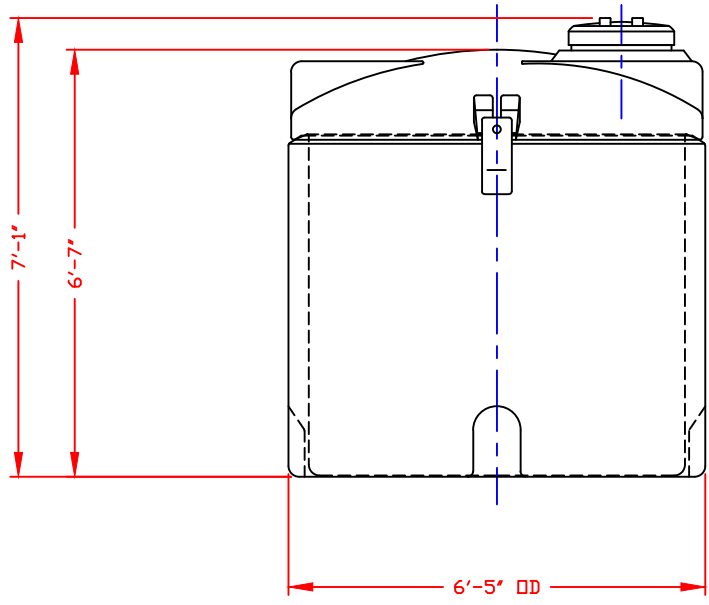
CONFIDENTIAL PROPERTY OF  
 POLY PROCESSING COMPANY  
 NOT FOR REPRINT OR USE  
 WITHOUT PERMISSION

DWG TITLE		750 GALLON OUTER SAFE-TANK/ 940 GALLON OPEN TOP TANK		
SCALE:	1/2"=1'-0"	 Central Region P.O. Box 4150 07810 2501 Dal Westington Rd. Monroe, LA 71203 CEN 342-7252 FAX CEN 343-8795	DR:	B. HARPER
DATE:	09/11/19		CK:	
SHEET		COMPUTER FILE	REV	
1 OF 1		SAFE-0-00750	-	

NON-CONTROLLED COPY  
 INFORMATION SUBJECT TO CHANGE WITHOUT NOTICE  
 VERIFY REV LEVEL OF PAPER COPY WITH REV LEVEL ON PPC WEB SITE



ELEVATIONS ONLY--  
 NOZZLES & ACCESSORIES  
 ROTATED INTO VIEW--  
 FOR TRUE ORIENTATION  
 SEE PLAN VIEW




**NOTE:**  
 MUST USE FLEXIBLE  
 CONNECTIONS ALL  
 LOWER SIDEWALL  
 FITTINGS

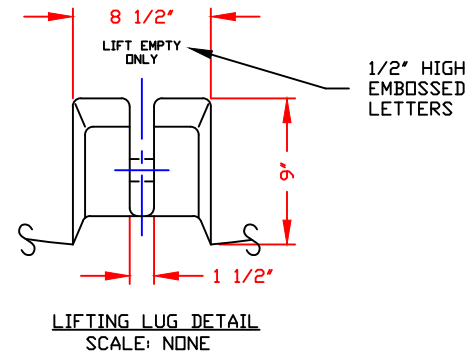
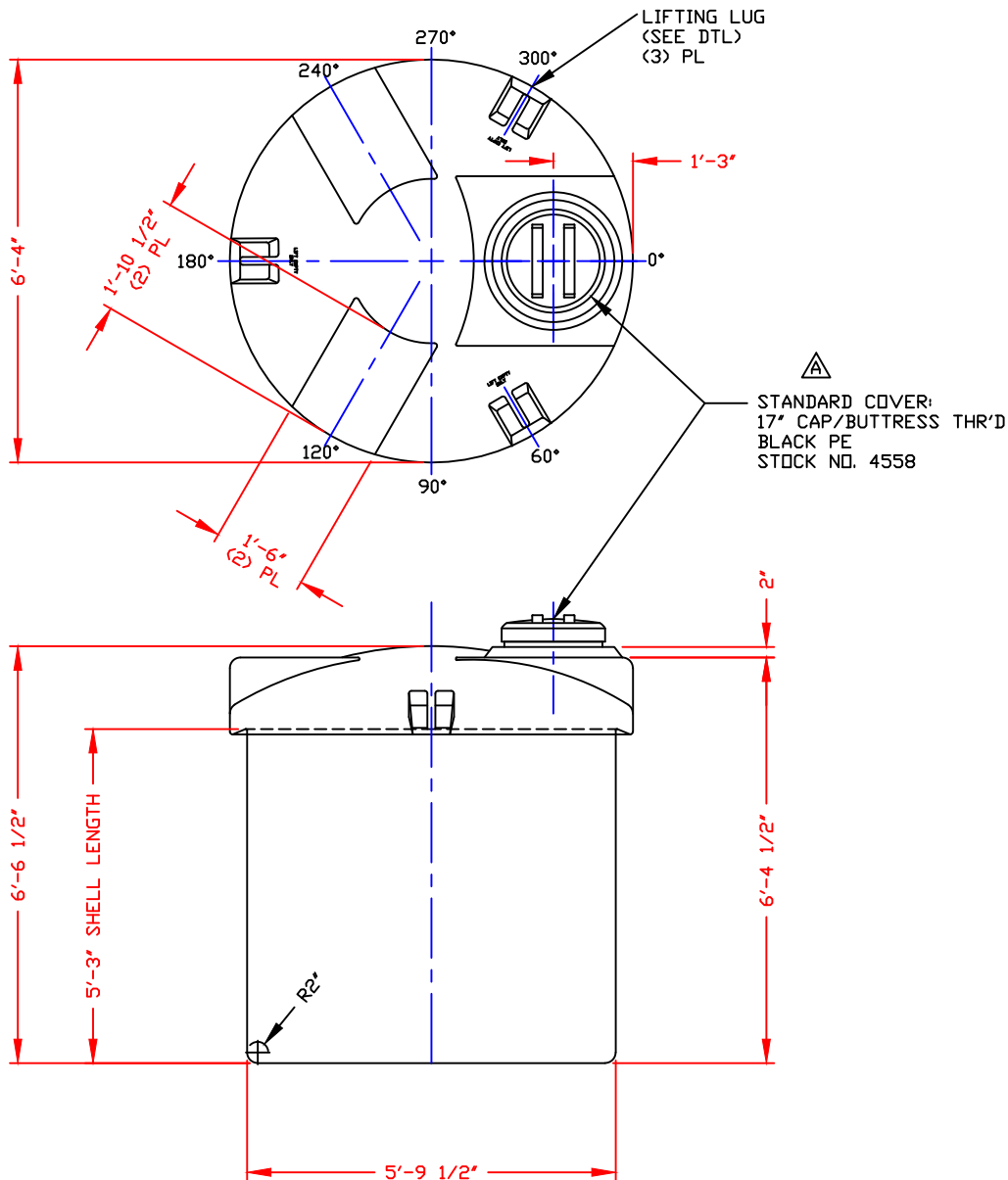
CALCULATED CAPACITIES/ VOLUME IN U.S. GALLONS			
TANK	DESIGN CAP	DOME VOL	TOTAL VOL
INNER	1016	187	1203
OUTER	1215	N/A	1215

**NOTES:**

1. THIS IS A COMPUTER GENERATED DWG. DO NOT REVISE BY HAND.
2. DIMENSIONS WILL VARY ±3% DUE TO VARIATIONS IN MULTIPLE MOLDS & CONDITIONS PREVALENT DURING MANUFACTURE & USAGE.
3. FOR INNER TANK DTLS SEE COMPUTER FILE NO 2001000, TITLE "1000 GALLON INNER SAFE-TANK," FOR OUTER TANK DTLS SEE COMPUTER FILE NO. 12101200, TITLE "1000 GALLON OUTER SAFE-TANK," 1200 GALLON OPEN TOP TANK."
4. TANKS DESIGNED FOR 1.9 SpG MAT'L @ 100°F/ATMOS PRESSURE

DWG TITLE		1000 GALLON SAFE-TANK ASSEMBLY		
SERVICE: XXXX		 <b>POLYPROCESSING</b> SOLUTIONS, SIMPLIFIED.	Central Region P.O. Box 4026 07220 2501 Old Sterlington Rd. Monroe, LA 71205 CSD 343-7565 FAX CSD 343-8795	
SCALE: 1/2"=1'-0"	DATE: 09/12/19		DR: B. HARPER	CK:
		SHEET	COMPUTER FILE	REV
		1 OF 1	SAFE-A-01000	-


NON-CONTROLLED COPY  
 INFORMATION SUBJECT TO CHANGE WITHOUT NOTICE  
 VERIFY REV LEVEL OF PAPER COPY WITH REV LEVEL ON PPC WEB SITE



- NOTES:**
1. THIS IS A COMPUTER GENERATED DWG. DO NOT REVISE BY HAND.
  2. DIMENSIONS WILL VARY ±3% DUE TO VARIATIONS IN MULTIPLE MOLDS & CONDITIONS PREVALENT DURING MANUFACTURE & USAGE.
  3. FOR OUTER TANK DTLS SEE COMPUTER FILE NO. 2101200, TITLE "1000 GALLON OUTER SAFE-TANK/1200 GALLON OPEN TOP TANK." FOR ASSEMBLY SEE COMPUTER FILE NO. 2001000A, TITLE "1000 GALLON SAFE-TANK ASSEMBLY."

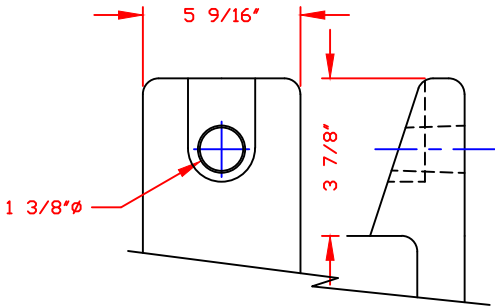
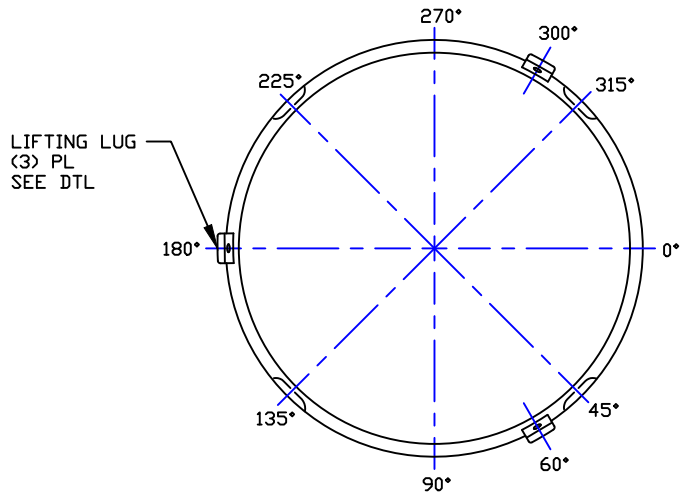
CALCULATED CAPACITIES/ VOLUME IN U.S. GALLONS		
DESIGN CAP	DOME VOL	TOTAL VOL
1016	187	1203

CONFIDENTIAL PROPERTY OF  
 POLY PROCESSING COMPANY  
 NOT FOR REPRINT OR USE  
 WITHOUT PERMISSION

DWG TITLE 1000 GALLON INNER SAFE-TANK				
SCALE: 1/2"=1'-0"	 <b>POLYPROCESSING</b> SOLUTIONS. SIMPLIFIED.	Central Region P.O. Box 439 (71311) 2501 Old Springington Rd. Norcross, GA 30092 (770) 343-7563 FAX (770) 343-8795	DR: B. HARPER	
DATE: 09/12/19			CK: 	
SHEET 1 OF 1		COMPUTER FILE SAFE-I-01000	REV A	

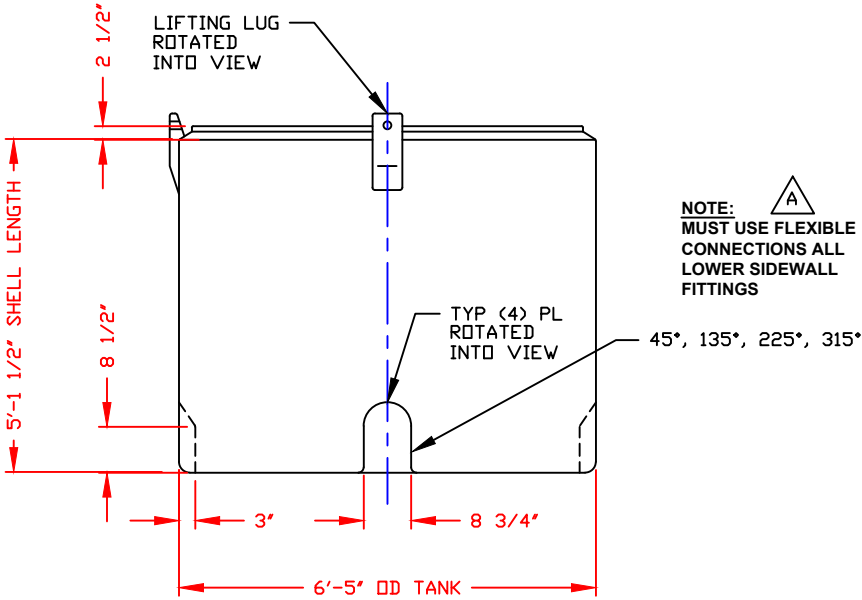
REV "A" REVISED COVER BY:JB 7/28/09 CK:WM

NON-CONTROLLED COPY  
 INFORMATION SUBJECT TO CHANGE WITHOUT NOTICE  
 VERIFY REV LEVEL OF PAPER COPY WITH REV LEVEL ON PPC WEB SITE



LUG DETAIL  
 SCALE: NONE

- NOTES:**
1. THIS IS A COMPUTER GENERATED DWG. DO NOT REVISE BY HAND.
  2. DIMENSIONS WILL VARY ±3% DUE TO VARIATIONS IN MULTIPLE MOLDS & CONDITIONS PREVALENT DURING MANUFACTURE & USAGE.
  3. FOR INNER TANK DTLs SEE COMPUTER FILE NO. 2001000, TITLE "1000 GALLON INNER SAFE-TANK." FOR ASSEMBLY SEE COMPUTER FILE NO. 2001000A, TITLE "1000 GALLON SAFE-TANK ASSEMBLY."



**NOTE:** A  
 MUST USE FLEXIBLE CONNECTIONS ALL LOWER SIDEWALL FITTINGS

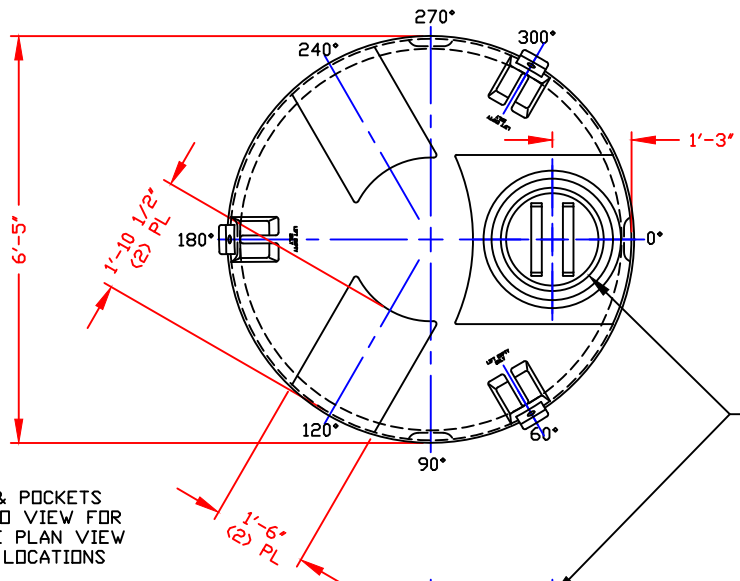
CALCULATED CAPACITY
VOLUME IN U.S. GALLONS
DESIGN CAPACITY
1215

CONFIDENTIAL PROPERTY OF  
 POLY PROCESSING COMPANY  
 NOT FOR REPRINT OR USE  
 WITHOUT PERMISSION

DWG TITLE 1000 & 1015 GALLON OUTER SAFE-TANK/ 1200 GALLON OPEN TOP TANK			
SCALE: 1/2"=1'-0"		Central Region P.O. Box 4150 (71811) 2201 Old Stone-Ington Rd. Monroe, LA 71203 CIBP 343-7500 FAX CIBP 343-8795	DR: B. HARPER
DATE: 09/12/19			CK:
	SHEET 1 OF 1	COMPUTER FILE SAFE-□-01000	REV A

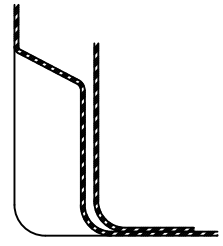
REV "A" ADDED FITTING NOTE BY:MBW 4/16/03 CK:JB

NON-CONTROLLED COPY  
 INFORMATION SUBJECT TO CHANGE WITHOUT NOTICE  
 VERIFY REV LEVEL OF PAPER COPY WITH REV LEVEL ON PPC WEB SITE

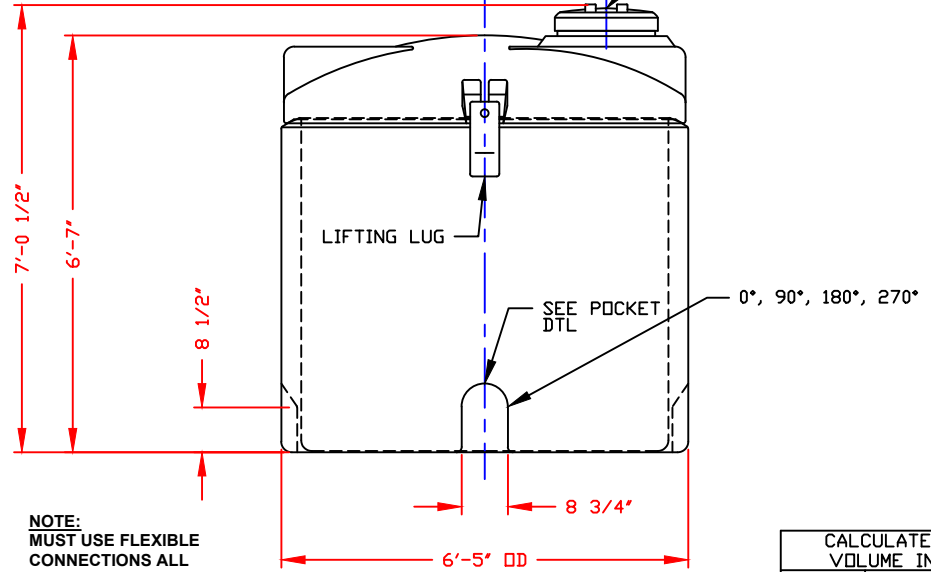


NOTE: LUGS & POCKETS ROTATED INTO VIEW FOR CLARITY. SEE PLAN VIEW FOR DEGREE LOCATIONS

STANDARD COVER:  
 17" CAP/BUTTRESS THR'D  
 BLACK PE  
 STOCK NO. 4558



POCKET DETAIL  
 SCALE: NONE




NOTE:  
 MUST USE FLEXIBLE  
 CONNECTIONS ALL  
 LOWER SIDEWALL  
 FITTINGS

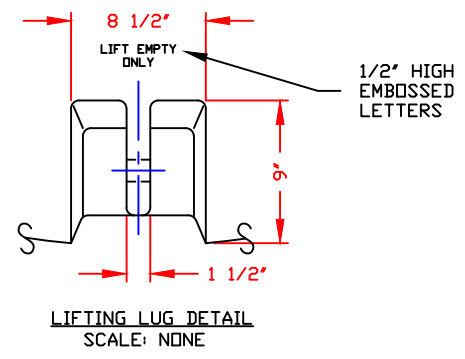
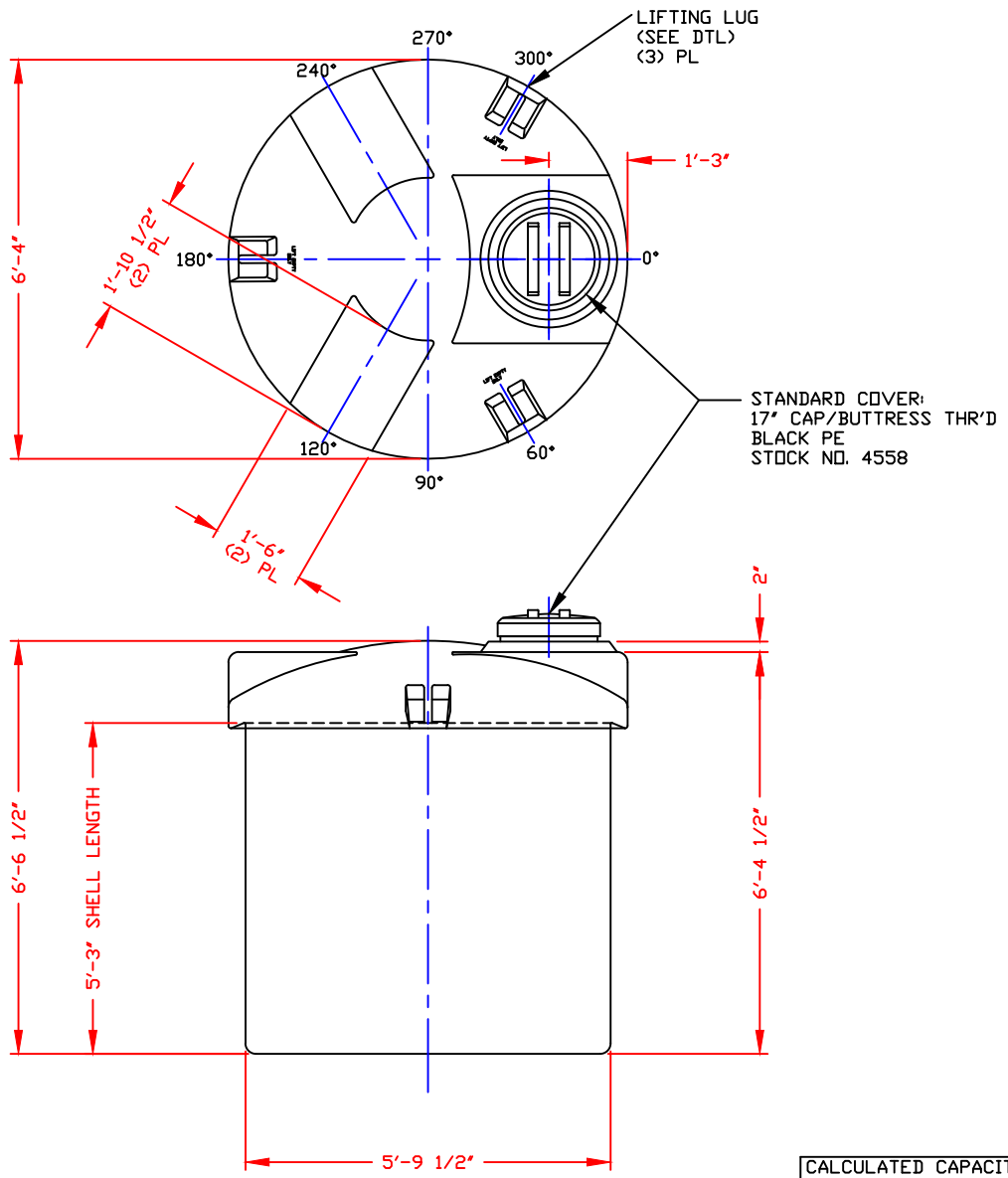
- NOTES:**
1. THIS IS A COMPUTER GENERATED DWG. DO NOT REVISE BY HAND.
  2. DIMENSIONS WILL VARY ±3% DUE TO VARIATIONS IN MULTIPLE MOLDS & CONDITIONS PREVALENT DURING MANUFACTURE & USAGE.
  3. FOR INNER TANK DTLS SEE COMPUTER FILE NO. 12001015, TITLE '1015 GALLON INNER SAFE-TANK,' FOR OUTER TANK DTLS SEE COMPUTER FILE NO. 12101200, TITLE '1015 GALLON OUTER SAFE-TANK/ 1200 GALLON OPEN TOP TANK.'

CONFIDENTIAL PROPERTY OF  
 POLY PROCESSING COMPANY  
 NOT FOR REPRINT OR USE  
 WITHOUT PERMISSION

CALCULATED CAPACITIES/ VOLUME IN U.S. GALLONS			
TANK	DESIGN CAP	DOME VOL	TOTAL VOL
INNER	1016	187	1203
OUTER	1215	N/A	1215

DWG TITLE 1015 GALLON SAFE-TANK ASSEMBLY			
SCALE: 1/2"=1'-0"	 <b>POLYPROCESSING</b> SOLUTIONS, SIMPLIFIED.	Western Region P.O. Box 88 8928 South Ash Street French Camp, CA 92521 (951) 962-4964 FAX (951) 962-4455	DR: B. HARPER
DATE: 09/13/19			CK:
SHEET 1 OF 1		COMPUTER FILE SAFE-A-01015	REV -

NON-CONTROLLED COPY  
 INFORMATION SUBJECT TO CHANGE WITHOUT NOTICE  
 VERIFY REV LEVEL OF PAPER COPY WITH REV LEVEL ON PPC WEB SITE



- NOTES:**
1. THIS IS A COMPUTER GENERATED DWG. DO NOT REVISE BY HAND.
  2. DIMENSIONS WILL VARY ±3% DUE TO VARIATIONS IN MULTIPLE MOLDS & CONDITIONS PREVALENT DURING MANUFACTURE & USAGE.
  3. FOR OUTER TANK DTLS SEE COMPUTER FILE NO. 12101200, TITLE "1015 GALLON OUTER SAFE-TANK/1200 GALLON OPEN TOP TANK." FOR ASSEMBLY SEE COMPUTER FILE NO. 12001015A, TITLE "1015 GALLON SAFE-TANK ASSEMBLY."

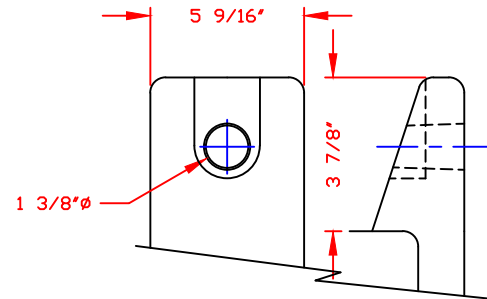
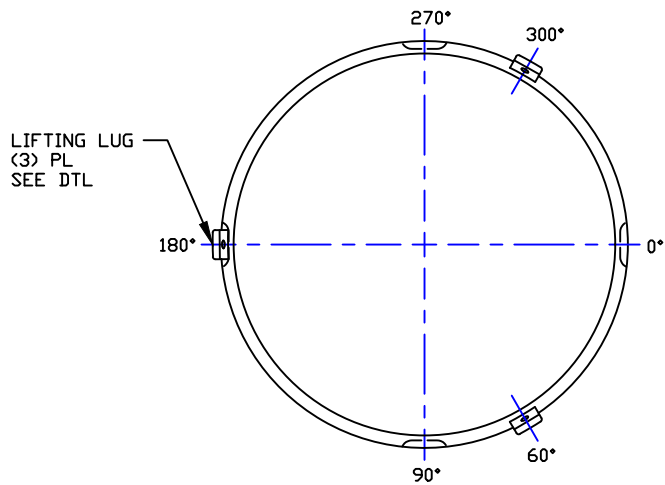
CONFIDENTIAL PROPERTY OF  
 POLY PROCESSING COMPANY  
 NOT FOR REPRINT OR USE  
 WITHOUT PERMISSION

DWG TITLE		1015 GALLON SAFE-TANK		
SCALE:	1/2"=1'-0"	 Western Region P.O. Box 80 8825 South Ash Street French Camp, LA 70528 (504) 982-4964 FAX (504) 982-6405	DR:	B. HARPER
DATE:	09/13/19		CK:	
		SHEET	COMPUTER FILE	REV
		1 OF 1	SAFE-I-01015	-

CALCULATED CAPACITIES/ VOLUME IN U.S. GALLONS		
DESIGN CAP	DOME VOL	TOTAL VOL
1016	187	1203



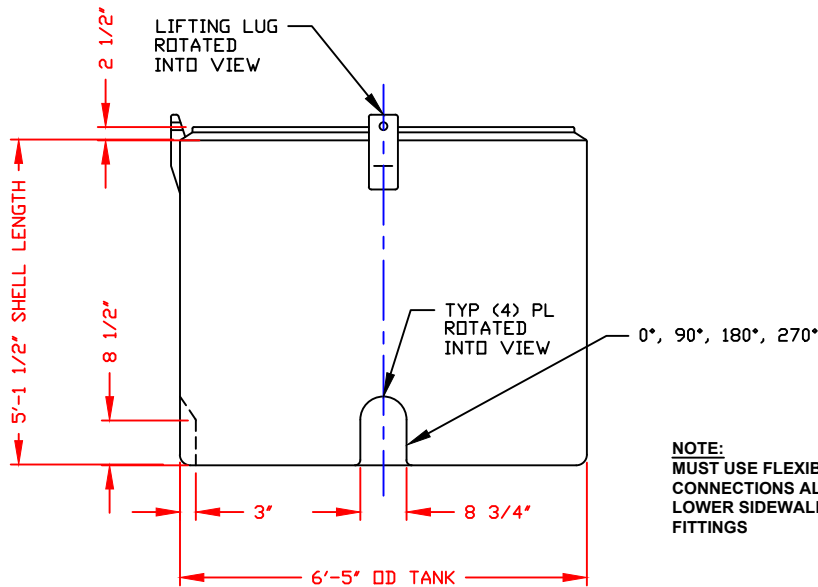
<b>NON-CONTROLLED COPY</b> INFORMATION SUBJECT TO CHANGE WITHOUT NOTICE COPY WILL <u>NOT</u> BE UPDATED	COPY ISSUED BY _____  COPY ISSUED ON _____
---	--



LUG DETAIL  
SCALE: NONE

**NOTES:**

1. THIS IS A COMPUTER GENERATED DWG. DO NOT REVISE BY HAND.
2. DIMENSIONS WILL VARY  $\pm 3\%$  DUE TO VARIATIONS IN MULTIPLE MOLDS & CONDITIONS PREVALENT DURING MANUFACTURE & USAGE.
3. FOR INNER TANK DTLS SEE COMPUTER FILE NO. 12001015, TITLE '1015 GALLON INNER SAFE-TANK.' FOR ASSEMBLY SEE COMPUTER FILE NO. 12001015A, TITLE '1015 GALLON SAFE-TANK ASSEMBLY.'



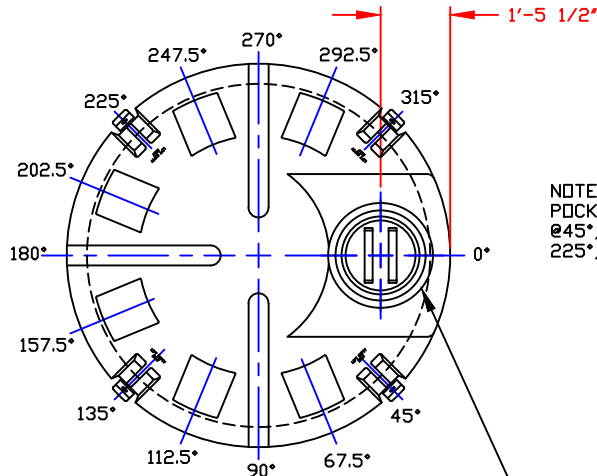
**NOTE:**  
MUST USE FLEXIBLE CONNECTIONS ALL LOWER SIDEWALL FITTINGS

CONFIDENTIAL PROPERTY OF  
POLY PROCESSING COMPANY  
NOT FOR REPRINT OR USE  
WITHOUT PERMISSION

DWG TITLE		1000 & 1015 GALLON OUTER SAFE-TANK/ 1200 GALLON OPEN TOP TANK	
SCALE:	1/2"=1'-0"	Western Region P.O. Box 88 8025 South Ash Street Fresno, Calif., CA 93724 (209) 982-4504 FAX (209) 982-3435	DR: B. HARPER
DATE:	09/13/19		CK:
		SHEET	COMPUTER FILE
		1 OF 1	SAFE-0-01015
			REV
			-

CALCULATED CAPACITY VOLUME IN U.S. GALLONS
DESIGN CAPACITY
1215

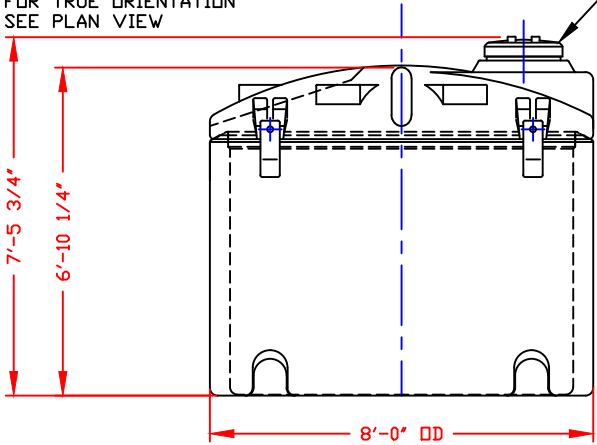
NON-CONTROLLED COPY  
 INFORMATION SUBJECT TO CHANGE WITHOUT NOTICE  
 VERIFY REV LEVEL OF PAPER COPY WITH REV LEVEL ON PPC WEB SITE



NOTE:  
 POCKETS  
 @45°, 135°  
 225°, 315°

STANDARD COVER:  
 17" CAP/BUTTRESS THR'D  
 BLACK PE  
 STOCK NO. 4558

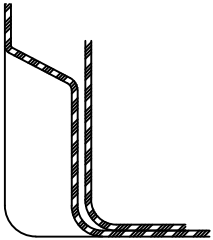
ELEVATIONS ONLY--  
 NOZZLES & ACCESSORIES  
 ROTATED INTO VIEW--  
 FOR TRUE ORIENTATION  
 SEE PLAN VIEW



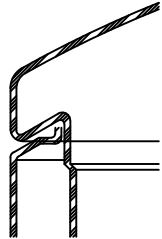
NOTE:  
 MUST USE FLEXIBLE  
 CONNECTIONS ALL  
 LOWER SIDEWALL  
 FITTINGS

TANK	DESIGN CAP	DOME VOL	TOTAL VOL
INNER	1586	204	1790
OUTER	1954	N/A	1954

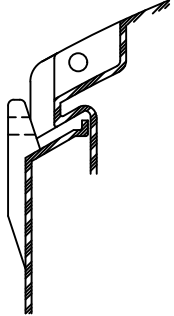
SERVICE	MK	STOCK NO.	SIZE	FITTING	DEG	ELEV



POCKET DETAIL  
 SCALE: 1 1/2" = 1'-0"



LIP DETAIL  
 SCALE: 1 1/2" = 1'-0"



LIP DETAIL AT LUG  
 SCALE: 1 1/2" = 1'-0"

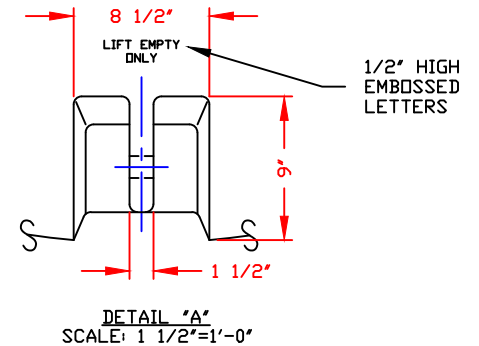
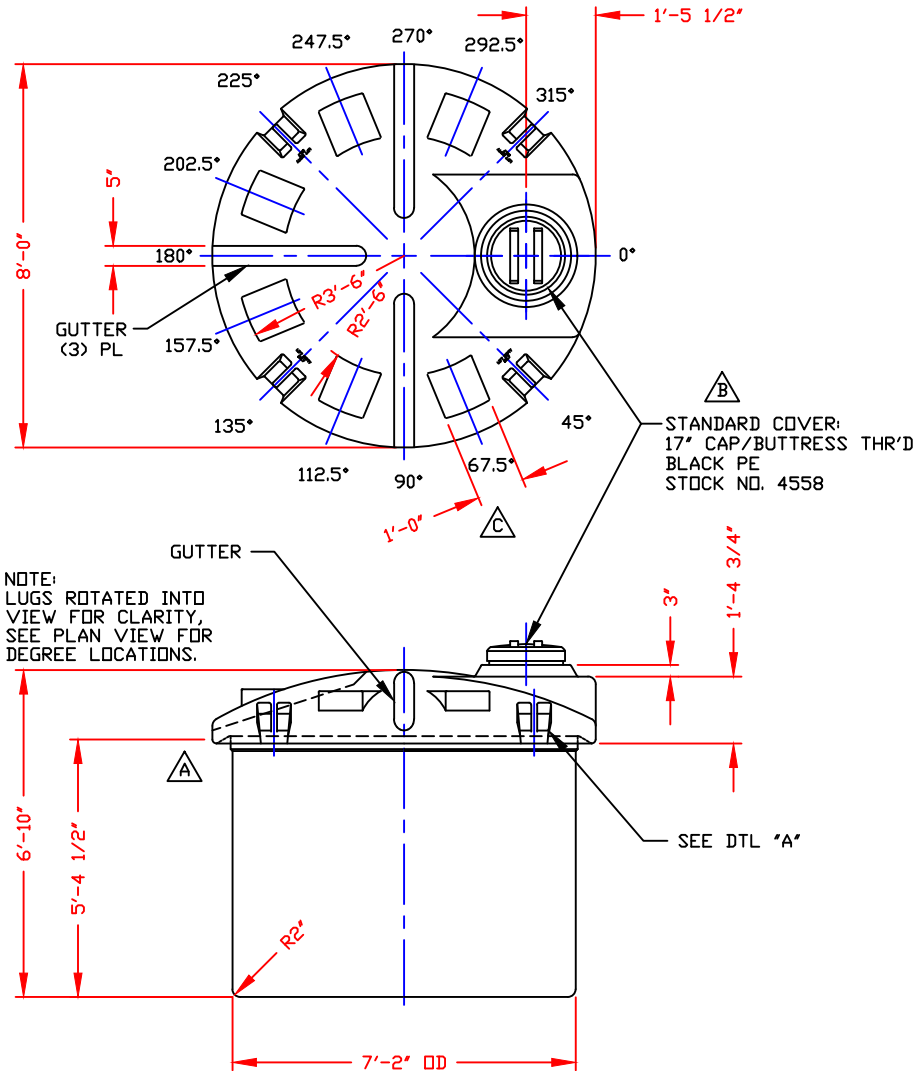
- NOTES:
1. THIS IS A COMPUTER GENERATED DWG. DO NOT REVISE BY HAND.
  2. DIMENSIONS WILL VARY ±3% DUE TO VARIATIONS IN MULTIPLE MOLDS & CONDITIONS PREVALENT DURING MANUFACTURE & USAGE.
  3. FOR INNER TANK DTL'S SEE COMPUTER FILE NO. 2001550 TITLE "1550 GALLON INNER SAFE-TANK," FOR OUTER TANK DTL'S SEE COMPUTER FILE NO. 2101950, TITLE "1550 GALLON OUTER SAFE-TANK/1950 OPEN TOP TANK".
  4. TANK DESIGNED FOR 1.9 SpG MAT'L @ 100°F/ATMOS PRESSURE

DWG TITLE 1550 GALLON SAFE-TANK ASSEMBLY			1.9 SpG/XLPE/NATURAL INNER STOCK NO. 72001550410 OUTER STOCK NO. 72101950410		
SERVICE:XXXXXX	SCALE: 3/8" = 1'-0"		Central Region P.O. Box 4190 (71521) 8281 Old Shreveport Rd. Norcross, LA 71050 (504) 343-7955 FAX (504) 343-8795		DR: B. HARPER
DATE: 09/13/19					CK:
SHEET 1 OF 1			COMPUTER FILE SAFE-A-01550		REV -

NON-CONTROLLED COPY  
 INFORMATION SUBJECT TO CHANGE WITHOUT NOTICE  
 VERIFY REV LEVEL OF PAPER COPY WITH REV LEVEL ON PPC WEB SITE

NOTE:  
 ALL HIDDEN LINES ARE NOT SHOWN.  
 SOME ARE SHOWN FOR CLARITY.

NOZZLE SCHEDULE & ACCESSORIES					
SERVICE	MK	STOCK NO.	SIZE	FITTING	DEG ELEV




- NOTES:**
- THIS IS A COMPUTER GENERATED DWG. DO NOT REVISE BY HAND.
  - DIMENSIONS WILL VARY ±3% DUE TO VARIATIONS IN MULTIPLE MOLDS & CONDITIONS PREVALENT DURING MANUFACTURE & USAGE.
  - FOR OUTER TANK DTLS SEE COMPUTER FILE NO. 2101950, TITLE '1550 GALLON OUTER SAFE-TANK/1950 GALLON OPEN TOP TANK.' FOR ASSEMBLY DTLS SEE COMPUTER FILE NO. 2001550A, TITLE '1550 GALLON SAFE-TANK ASSEMBLY.'

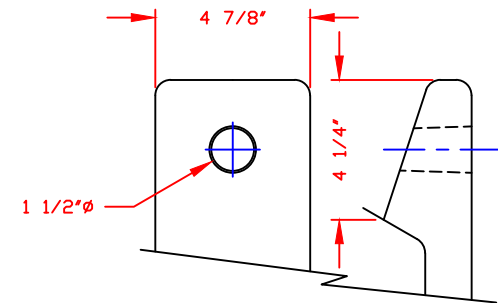
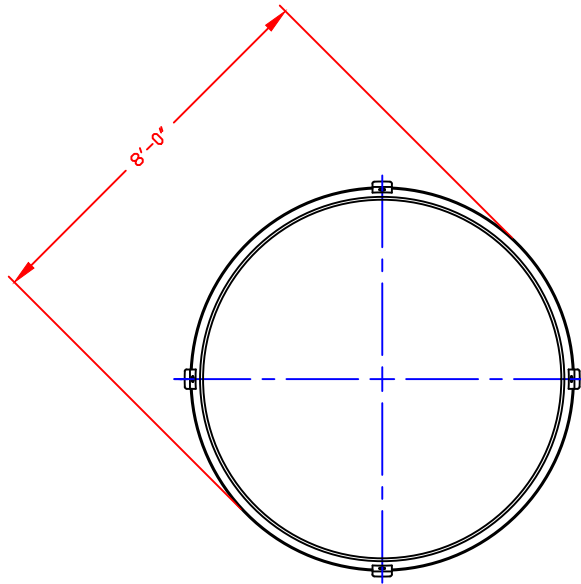
CALCULATED CAPACITIES/ VOLUME IN U.S. GALLONS		
DESIGN CAP	DOME VOL	TOTAL VOL
1586	204	1790

CONFIDENTIAL PROPERTY OF  
 POLY PROCESSING COMPANY  
 NOT FOR REPRINT OR USE  
 WITHOUT PERMISSION

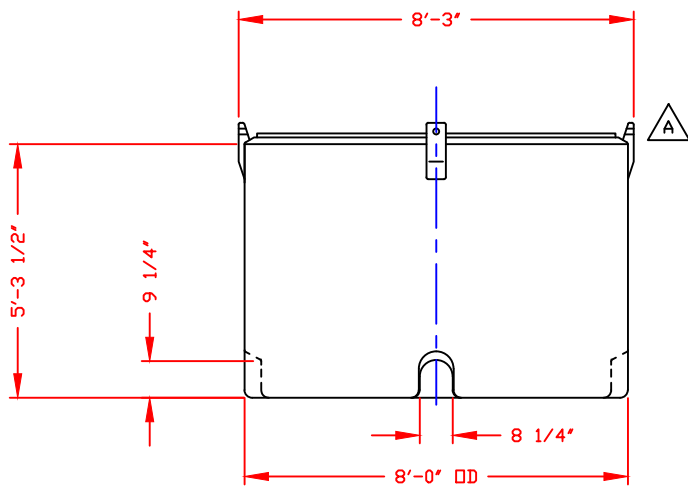
REV "C" ADDED FTG FLATS BY:JB 4/8/13 CK:WM
REV "B" REVISED COVER BY:JB 7/27/09 CK:WM
REV "A" MODIFICATION TO MOLD BY:MBW 3/21/02 CK:BT

DWG TITLE <b>1550 GALLON INNER SAFE-TANK</b>			
SCALE: 3/8"=1'-0"	 <b>POLY PROCESSING</b> SOLUTIONS, SIMPLIFIED.	Central Region P.O. Box 4026 07110 201 Elm Street Hammond, LA 71583 504-343-7165 FAX 504-343-0795	DR: B. HARPER
DATE: 09/13/19		CK:	
SHEET 1 OF 1		COMPUTER FILE SAFE-I-01550	REV C

NON-CONTROLLED COPY  
 INFORMATION SUBJECT TO CHANGE WITHOUT NOTICE  
 VERIFY REV LEVEL OF PAPER COPY WITH REV LEVEL ON PPC WEB SITE



LUG DETAIL  
 SCALE: 1 1/2" = 1'-0"




**NOTE:**  
 MUST USE FLEXIBLE  
 CONNECTIONS ALL  
 LOWER SIDEWALL  
 FITTINGS

- NOTES:**
1. THIS IS A COMPUTER GENERATED DWG. DO NOT REVISE BY HAND.
  2. DIMENSIONS WILL VARY ±3% DUE TO VARIATIONS IN MULTIPLE MOLDS & CONDITIONS PREVALENT DURING MANUFACTURE & USAGE.
  3. FOR INNER TANK DTLS SEE COMPUTER FILE NO. 2001550, TITLE "1550 GALLON INNER SAFE-TANK," FOR ASSEMBLY DTLS SEE COMPUTER FILE NO. 2001550A, TITLE "1550 GALLON SAFE-TANK ASSEMBLY."

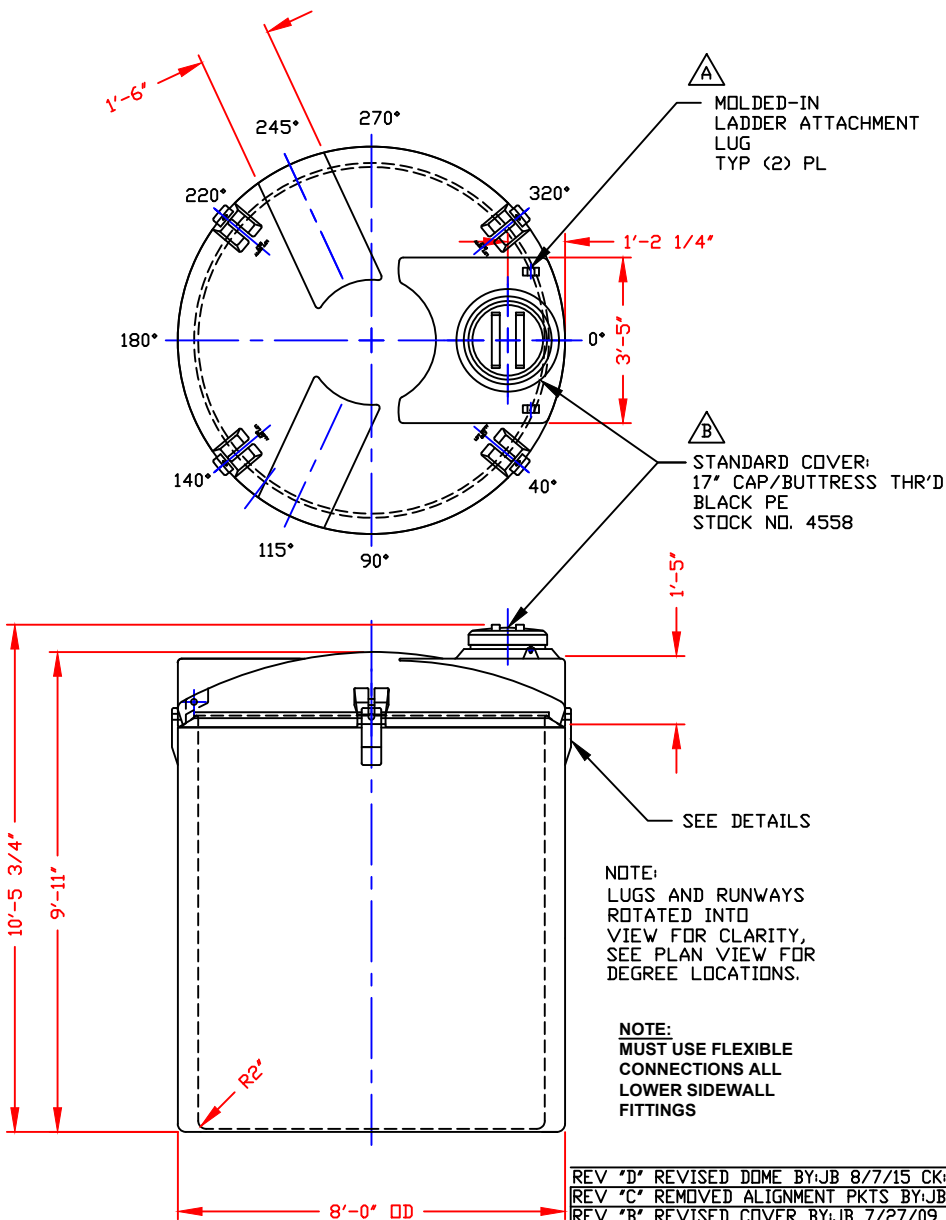
CALCULATED CAPACITY  
 VOLUME IN U.S. GALLONS  
 DESIGN CAPACITY  
 1954

CONFIDENTIAL PROPERTY OF  
 POLY PROCESSING COMPANY  
 NOT FOR REPRINT OR USE  
 WITHOUT PERMISSION

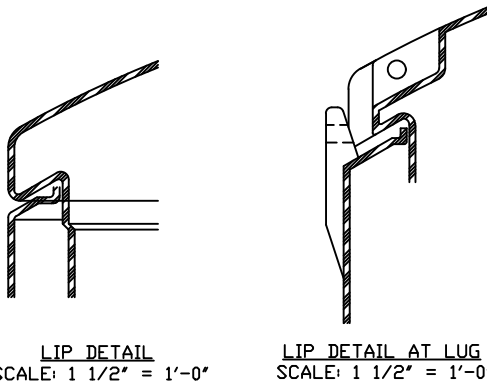
DWG TITLE 1550 GALLON OUTER SAFE-TANK/ 1950 OPEN TOP TANK			
SCALE: 3/8"=1'-0"		DR: B. HARPER	
DATE: 09/13/19	POLYPROCESSING SOLUTIONS, SIMPLIFIED.	CK:	
	SHEET 1 OF 1	COMPUTER FILE SAFE-0-01550	REV B

REV "B" ADDED FITTING NOTE BY:MBW 4/16/03 CK:JB  
 REV "A" MODIFICATION TO MOLD BY:MBW 3/21/02 CK:BT

NON-CONTROLLED COPY  
 INFORMATION SUBJECT TO CHANGE WITHOUT NOTICE  
 VERIFY REV LEVEL OF PAPER COPY WITH REV LEVEL ON PPC WEB SITE



NOZZLE SCHEDULE & ACCESSORIES					
SERVICE	MK	STOCK NO.	SIZE	FITTING	DEG ELEV



- NOTES:
- THIS IS A COMPUTER GENERATED DWG. DO NOT REVISE BY HAND.
  - DIMENSIONS WILL VARY ±3% DUE TO VARIATIONS IN MULTIPLE MOLDS & CONDITIONS PREVALENT DURING MANUFACTURE & USAGE.
  - FOR INNER TANK DTLS SEE COMPUTER FILE NO. 12002500 TITLE '2500 GALLON INNER SAFE-TANK.' FOR OUTER TANK DTLS SEE COMPUTER FILE NO. 12103100, TITLE '2500 GALLON OUTER SAFE-TANK/2500 OPEN TOP TANK'.

CALCULATED CAPACITIES/ VOLUME IN U.S. GALLONS			
TANK	DESIGN CAP	DOME VOL	TOTAL VOL
INNER	2517	246	2763
OUTER	3125	N/A	3125

CONFIDENTIAL PROPERTY OF  
 POLY PROCESSING COMPANY  
 NOT FOR REPRINT OR USE  
 WITHOUT PERMISSION

DWG TITLE: 2500 GALLON SAFE-TANK ASSEMBLY

SCALE: 3/8"=1'-0"

DATE: 09/13/19

POLYPROCESSING COMPANY LLC

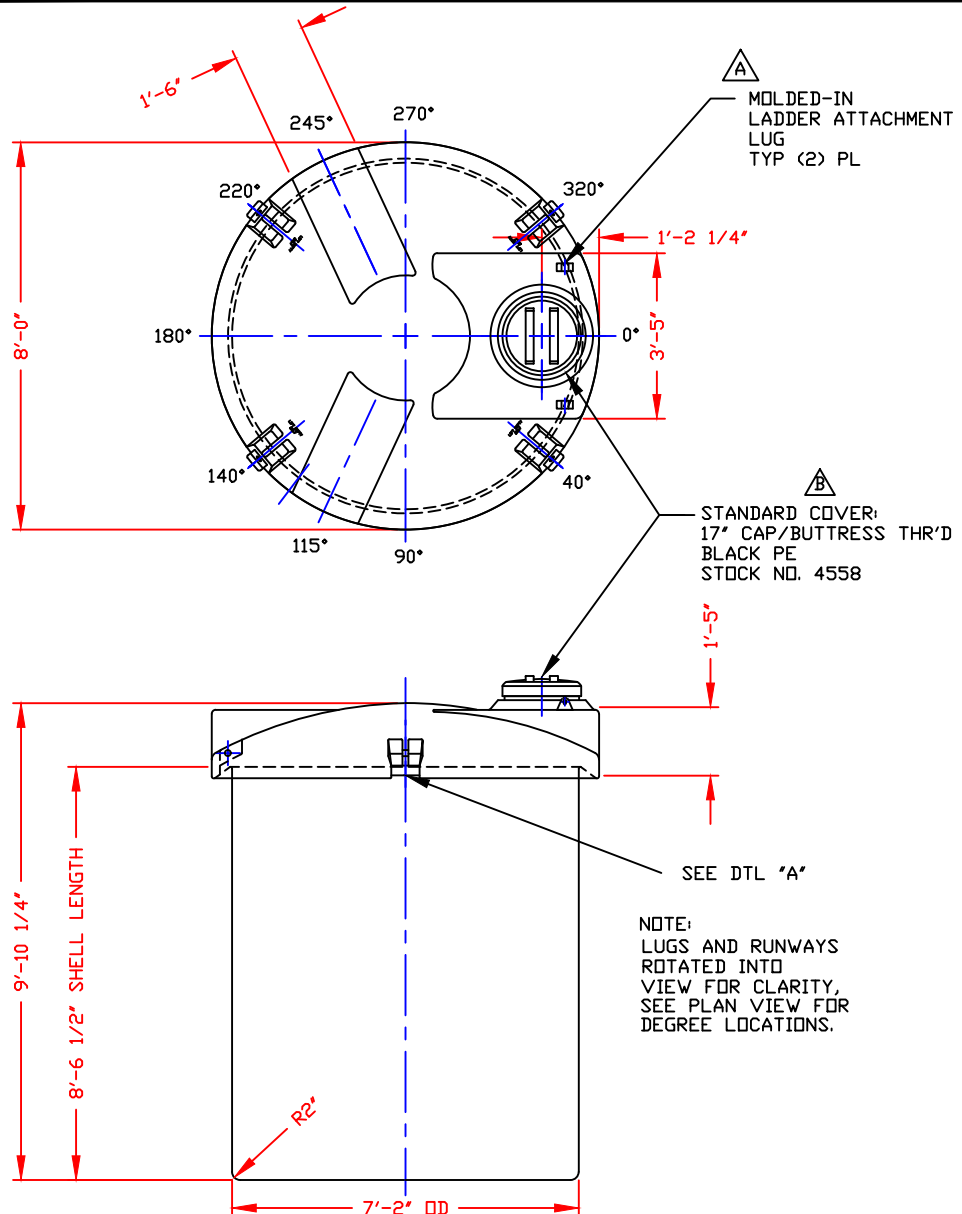
Central Region  
 P.O. Box 4390 (71833)  
 2515 Old Washington Rd.  
 Monroeville, LA 71353  
 CS# 343-7765  
 FAX CS# 343-8795

DR: B. HARPER  
 CK: J. BRANTLEY

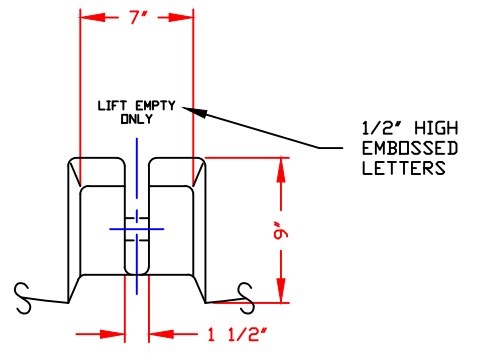
SHEET 1 OF 1 COMPUTER FILE SAFE-A-02500 REV D

- REV 'D' REVISED DOME BY:JB 8/7/15 CK:WM
- REV 'C' REMOVED ALIGNMENT PKTS BY:JB 11/4/10 CK:WM
- REV 'B' REVISED COVER BY:JB 7/27/09 CK:WM
- REV 'A' ADDED LADDER ATTACHMENT LUGS BY:JB 8/13/05 CK:WM

NON-CONTROLLED COPY  
 INFORMATION SUBJECT TO CHANGE WITHOUT NOTICE  
 VERIFY REV LEVEL OF PAPER COPY WITH REV LEVEL ON PPC WEB SITE



NOZZLE SCHEDULE & ACCESSORIES					
SERVICE	MK	STOCK NO.	SIZE	FITTING	DEG ELEV



DETAIL "A"  
 SCALE: NONE

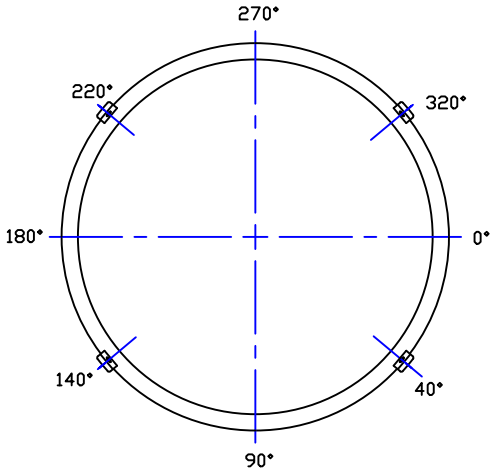
- NOTES:**
- THIS IS A COMPUTER GENERATED DWG. DO NOT REVISE BY HAND.
  - DIMENSIONS WILL VARY ±3% DUE TO VARIATIONS IN MULTIPLE MOLDS & CONDITIONS PREVALENT DURING MANUFACTURE & USAGE.
  - FOR OUTER TANK DTLS SEE COMPUTER FILE NO. 12103100, TITLE "2500 GALLON OUTER SAFE-TANK/3100 GALLON OPEN TOP TANK." FOR ASSEMBLY DTLS SEE COMPUTER FILE NO. 12002500A, TITLE "2500 GALLON SAFE-TANK ASSEMBLY."

CALCULATED CAPACITIES/ VOLUME IN U.S. GALLONS		
DESIGN CAP	DOMED VOL	TOTAL VOL
2517	246	2763

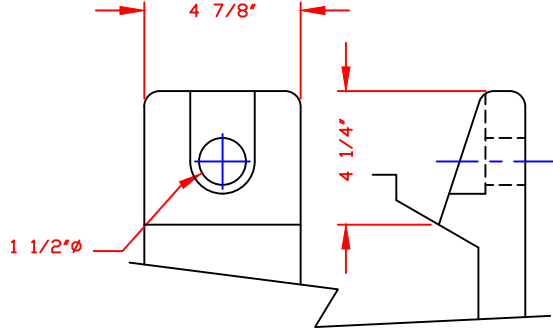
CONFIDENTIAL PROPERTY OF  
 POLY PROCESSING COMPANY  
 NOT FOR REPRINT OR USE  
 WITHOUT PERMISSION

DWG TITLE					
2500 GALLON INNER SAFE-TANK					
SCALE:	3/8"=1'-0"		Central Region	DR:	B. HARPER
DATE:	09/13/19		<small>P.O. Box 4150 (71810)        2550 Old Sterlington Rd.        Norcross, LA 71355        (504) 343-7945        FAX (504) 343-8795</small>	CK:	J. BRANTLEY
REV "C" REVISED DOME BY:JB 8/7/15 CK:WM		SHEET		COMPUTER FILE	REV
REV "B" REVISED COVER BY:JB 7/27/09 CK:WM		1 OF 1		SAFE-I-02550	C
REV "A" ADDED LADDER ATTACHMENT LUGS BY:JB 8/13/04 CK:WM					

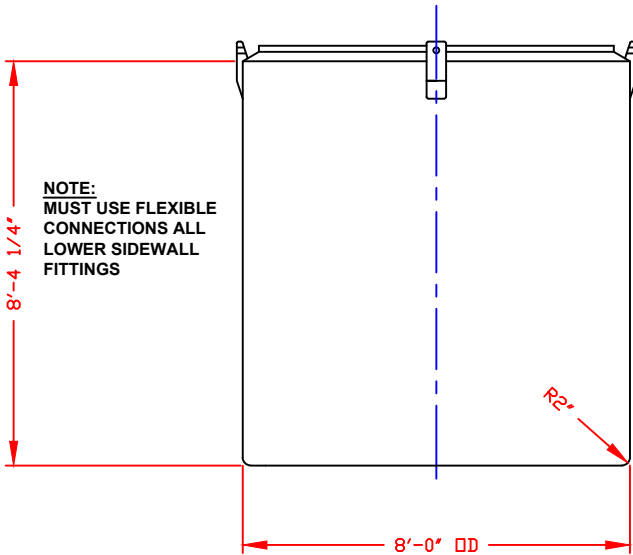
NON-CONTROLLED COPY  
 INFORMATION SUBJECT TO CHANGE WITHOUT NOTICE  
 VERIFY REV LEVEL OF PAPER COPY WITH REV LEVEL ON PPC WEB SITE



NOZZLE SCHEDULE & ACCESSORIES					
SERVICE	MK	STOCK NO.	SIZE	FITTING	DEG ELEV



LUG DETAIL "A"  
SCALE: NONE



SEE DTL "A"

LUGS AND POCKETS  
 ROTATED INTO VIEW  
 SEE PLAN FOR  
 ACTUAL LOCATION

**NOTE:**  
 MUST USE FLEXIBLE  
 CONNECTIONS ALL  
 LOWER SIDEWALL  
 FITTINGS

- NOTES:
- THIS IS A COMPUTER GENERATED DWG. DO NOT REVISE BY HAND.
  - DIMENSIONS WILL VARY ±3% DUE TO VARIATIONS IN MULTIPLE MOLDS & CONDITIONS PREVALENT DURING MANUFACTURE & USAGE.
  - NO MOLDED IN GALLONAGE MARKERS THIS TANK.
  - FOR INNER TANK DTLS SEE COMPUTER FILE NO. 12002500, TITLE "2500 GALLON INNER SAFE-TANK." FOR ASSEMBLY DTLS SEE COMPUTER FILE NO. 12002500A, TITLE, "2500 GALLON SAFE-TANK ASSEMBLY."

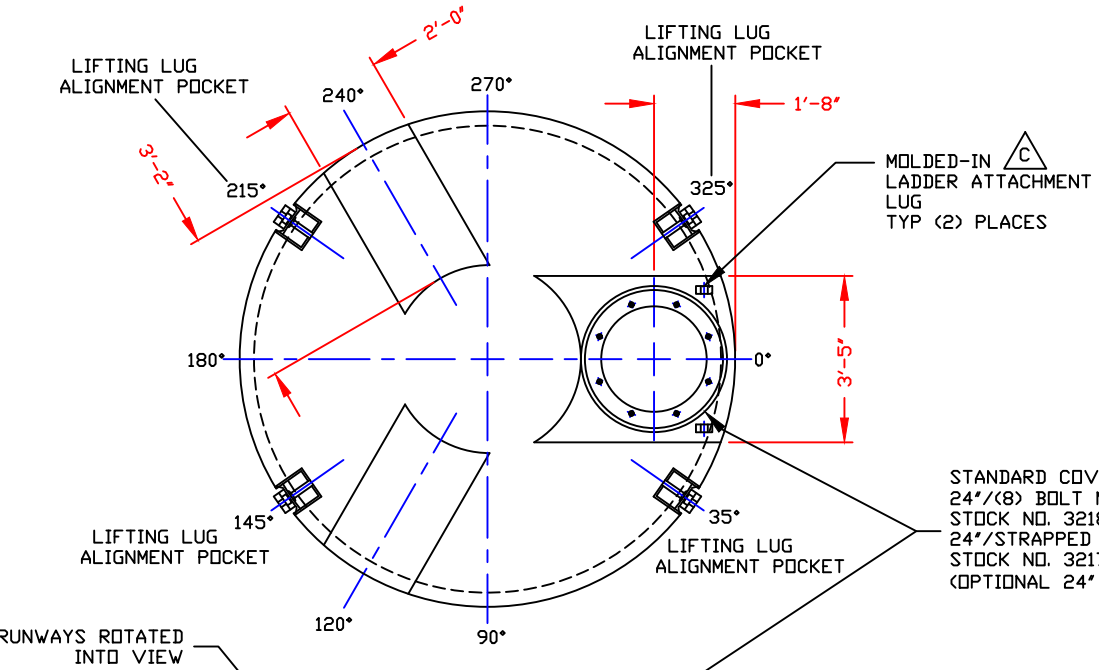
CALCULATED CAPACITIES/ VOLUME IN U.S. GALLONS
DESIGN CAPACITY
3125

CONFIDENTIAL PROPERTY OF  
 POLY PROCESSING COMPANY  
 NOT FOR REPRINT OR USE  
 WITHOUT PERMISSION

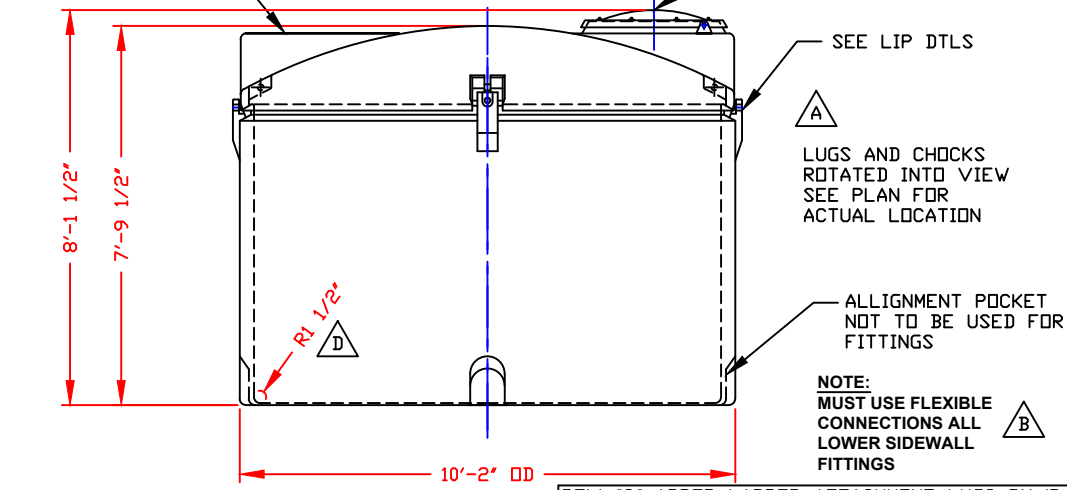
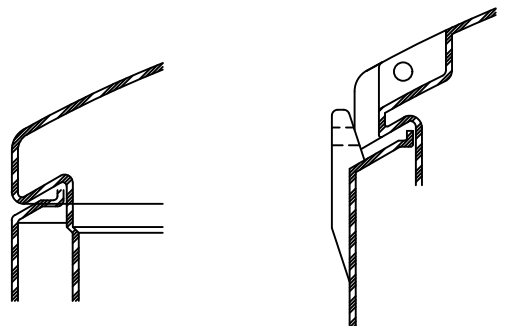
DWG TITLE		2500 GALLON OUTER SAFE TANK 3100 OPEN TOP TANK	
SCALE:	3/8"=1'-0"	POLYPROCESSING COMPANY LLC	DR:
DATE:	09/13/19		B. HARPER
SHEET		COMPUTER FILE	REV
1 OF 1		SAFE-0-02550	A

NON-CONTROLLED COPY  
 INFORMATION SUBJECT TO CHANGE WITHOUT NOTICE  
 VERIFY REV LEVEL OF PAPER COPY WITH REV LEVEL ON PPC WEB SITE

NOZZLE SCHEDULE & ACCESSORIES						
SERVICE	MK	STOCK NO.	SIZE	FITTING	DEG	ELEV



STANDARD COVER:  
 24"/(8) BOLT MANWAY COVER/PE (SHOWN)  
 STOCK NO. 3218 OR  
 24"/STRAPPED MANWAY COVER/PE  
 STOCK NO. 3217  
 (OPTIONAL 24" COVERS AVAILABLE)



- NOTES:
- THIS IS A COMPUTER GENERATED DWG. DO NOT REVISE BY HAND.
  - DIMENSIONS WILL VARY ±3% DUE TO VARIATIONS IN MULTIPLE MOLDS & CONDITIONS PREVALENT DURING MANUFACTURE & USAGE.
  - FOR INNER TANK DTLS SEE COMPUTER FILE NO. 2003150, TITLE "3150 GALLON INNER SAFE-TANK" FOR OUTER TANK DTLS SEE COMPUTER FILE NO. 2103550, TITLE "3150 GALLON OUTER SAFE-TANK/3550 GALLON OPEN TOP TANK".
  - OVERALL HEIGHT DIMENSION WILL VARY WITH THE PENETRATION OF THE INNER TANK INTO THE OUTER TANK.

CALCULATED CAPACITIES/ VOLUME IN U.S. GALLONS			
TANK	DESIGN CAP	DOME VOL	TOTAL VOL
INNER	3191	419	3610
OUTER	3551	N/A	3551

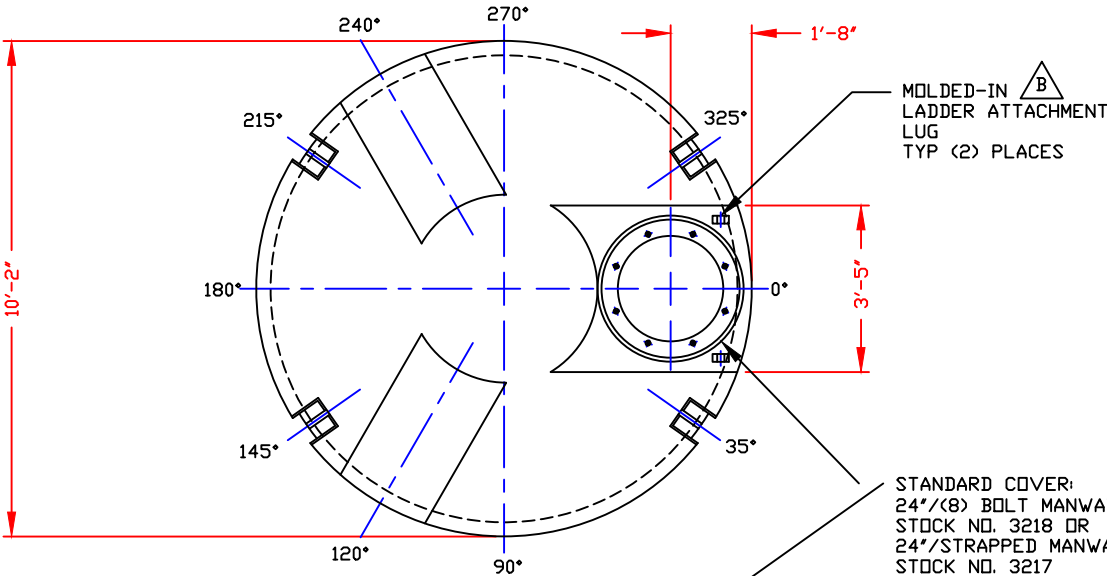
CONFIDENTIAL PROPERTY OF  
 POLY PROCESSING COMPANY  
 NOT FOR REPRINT OR USE  
 WITHOUT PERMISSION

DWG TITLE 3150 GALLON SAFE-TANK ASSEMBLY			
SCALE: 3/8"=1'-0"		Central Region P.O. Box 4100 (71821) 2501 Old Springton Rd. Monroe, LA 71203 CSD 343-7163 FAX 318-343-0795	DR: B. HARPER
DATE: 09/13/19		SHEET 1 OF 1	COMPUTER FILE SAFE-A-03150
REV "C" ADDED LADDER ATTACHMENT LUGS BY:JB 10/1/04 CK:WM REV "B" ADDED FITTING NOTE BY:MBW 4/16/03 CK:JB REV "D" REVISED RADIUS BY:JB 3/2/10 CK:WM REV "A" MODIFICATION TO MOLD BY:MBW 9/10/02 CK:JB			REV D

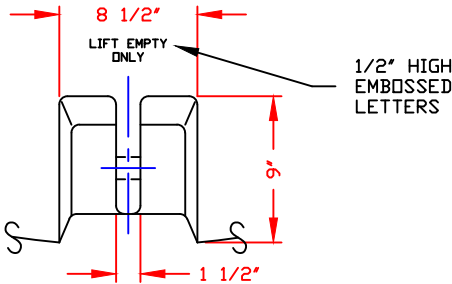


NON-CONTROLLED COPY  
 INFORMATION SUBJECT TO CHANGE WITHOUT NOTICE  
 VERIFY REV LEVEL OF PAPER COPY WITH REV LEVEL ON PPC WEB SITE

NOZZLE SCHEDULE & ACCESSORIES					
SERVICE	MK	STOCK NO.	SIZE	FITTING	DEG ELEV

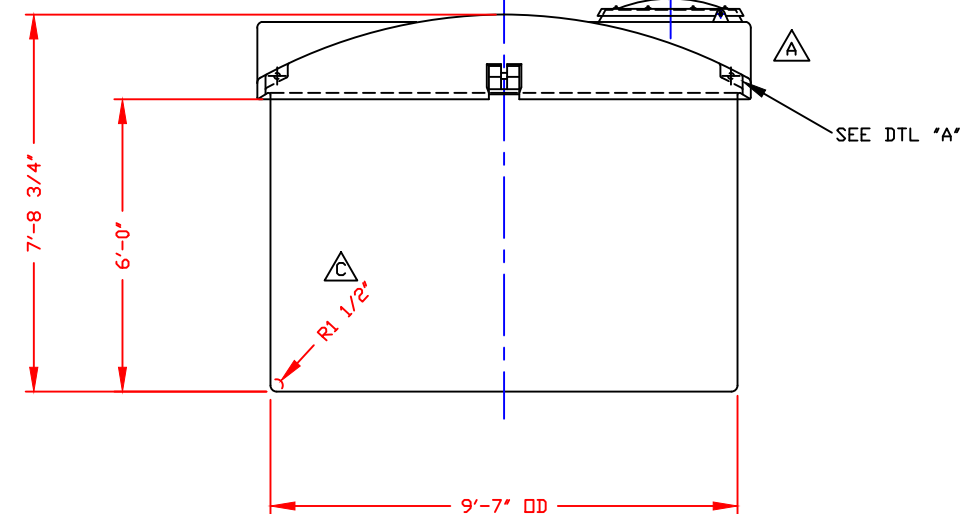


STANDARD COVER:  
 24"/(8) BOLT MANWAY COVER/PE (SHOWN)  
 STOCK NO. 3218 DR  
 24"/STRAPPED MANWAY COVER/PE  
 STOCK NO. 3217  
 (OPTIONAL 24' COVERS AVAILABLE)




DETAIL "A"  
 SCALE: 1 1/2"=1'-0"

- NOTES:
1. THIS IS A COMPUTER GENERATED DWG. DO NOT REVISE BY HAND.
  2. DIMENSIONS WILL VARY ±3% DUE TO VARIATIONS IN MULTIPLE MOLDS & CONDITIONS PREVALENT DURING MANUFACTURE & USAGE.
  3. FOR OUTER TANK DTLS SEE COMPUTER FILE NO. 2103550, TITLE "3150 GALLON OUTER SAFE-TANK/3550 GALLON OPEN TDP TANK. FOR ASSEMBLY SEE COMPUTER FILE NO. 2003150A, TITLE "3150 GALLON SAFE-TANK ASSEMBLY".



CALCULATED CAPACITIES/ VOLUME IN U.S. GALLONS		
DESIGN CAP	DOME VOL	TOTAL VOL
3191	419	3610

CONFIDENTIAL PROPERTY OF  
 POLY PROCESSING COMPANY  
 NOT FOR REPRINT OR USE  
 WITHOUT PERMISSION

DWG TITLE 3150 GALLON INNER SAFE-TANK					
SCALE: 3/8"=1'-0"		Central Region P.O. Box 4150 71811 8201 Old Sterlington Rd. Monroe, LA 71203 504-343-7265 FAX 504-343-8795	DR: B. HARPER		
DATE: 09/13/19		CK: D. RECTOR			
SHEET 1 OF 1		COMPUTER FILE SAFE-I-03150		REV C	

REV "C" REVISED RADIUS BY:JB 3/2/10 CK:WM
REV "B" ADDED LADDER ATTACHMENT LUGS BY:JB 10/1/04 CK:WM
REV "A" MODIFICATION TO MOLD BY:MBW 9/10/02 CK:JB

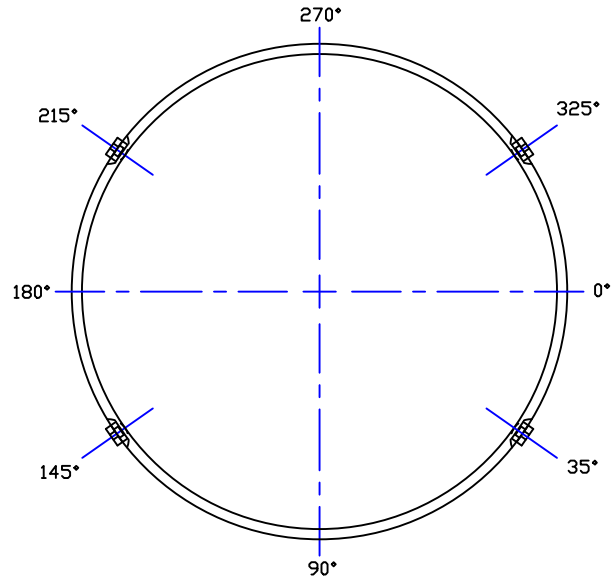
NON-CONTROLLED COPY

INFORMATION SUBJECT TO CHANGE WITHOUT NOTICE

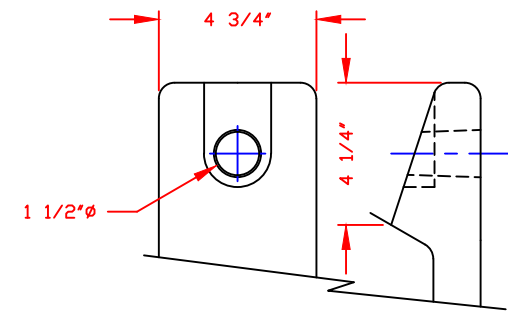
COPY WILL NOT BE UPDATED

COPY ISSUED BY \_\_\_\_\_.

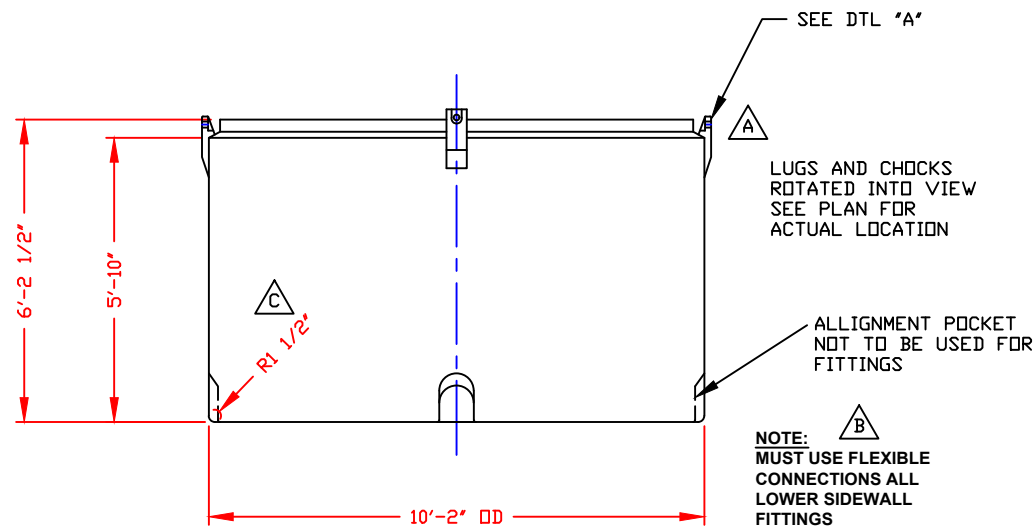
COPY ISSUED ON \_\_\_\_\_.



NOZZLE SCHEDULE & ACCESSORIES						
SERVICE	MK	STOCK NO.	SIZE	FITTING	DEG	ELEV



LUG DETAIL "A"  
SCALE: 1 1/2" = 1'-0"



NOTES:

- 1. THIS IS A COMPUTER GENERATED DWG. DO NOT REVISE BY HAND.
- 2. DIMENSIONS WILL VARY  $\pm 3\%$  DUE TO VARIATIONS IN MULTIPLE MOLDS & CONDITIONS PREVALENT DURING MANUFACTURE & USAGE.
- 3. FOR INNER TANK DTLS SEE COMPUTER FILE NO. 2003150, TITLE "3150 GALLON INNER SAFE-TANK" FOR ASSEMBLY DTLS SEE COMPUTER FILE NO. 2003150A, TITLE "3150 GALLON SAFE-TANK ASSEMBLY."

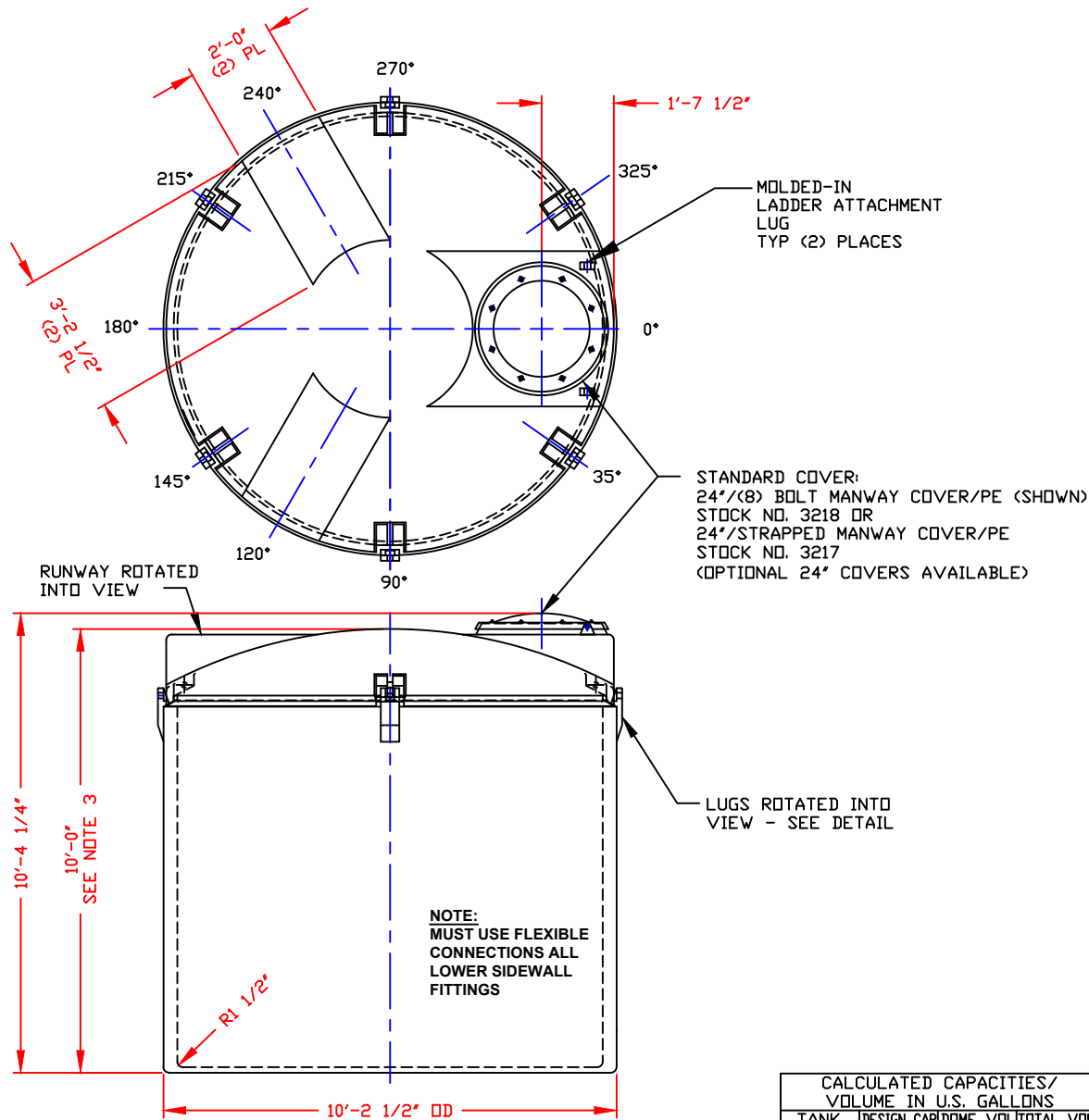
CALCULATED CAPACITY
VOLUME IN U.S. GALLONS
DESIGN CAPACITY
3551

CONFIDENTIAL PROPERTY OF  
POLY PROCESSING COMPANY  
NOT FOR REPRINT OR USE  
WITHOUT PERMISSION

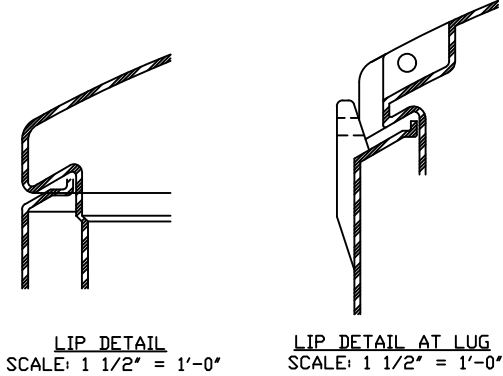
DWG TITLE	3150 GALLON OUTER SAFE-TANK/ 3550 GALLON OPEN TOP TANK		
SCALE:	3/8"=1'-0"	POLYPROCESSING SOLUTIONS, SIMPLIFIED.	DR: B. HARPER CK:
DATE:	09/13/19		
SHEET	1 OF 1	COMPUTER FILE	REV
		SAFE-0-03150	C

REV "C" REVISED RADIUS BY:JB 3/2/10 CK:WM
REV "B" ADDED FITTING NOTE BY:MBW 4/16/03 CK:JB
REV "A" MODIFICATION TO MOLD BY:MBW 9/10/02 CK:JB

NON-CONTROLLED COPY  
 INFORMATION SUBJECT TO CHANGE WITHOUT NOTICE  
 VERIFY REV LEVEL OF PAPER COPY WITH REV LEVEL ON PPC WEB SITE



NOZZLE SCHEDULE & ACCESSORIES					
SERVICE	MK	STOCK NO.	SIZE	FITTING	DEG ELEV



- NOTES:
- THIS IS A COMPUTER GENERATED DWG. DO NOT REVISE BY HAND.
  - DIMENSIONS WILL VARY ±3% DUE TO VARIATIONS IN MULTIPLE MOLDS & CONDITIONS PREVALENT DURING MANUFACTURE & USAGE.
  - OVERALL HEIGHT DIMENSION WILL VARY WITH THE PENETRATION OF THE INNER TANK INTO THE OUTER TANK.
  - NO MOLDED IN GALLONAGE MARKERS THESE TANKS.
  - FOR INNER TANK DTLS SEE COMPUTER FILE NO. 12004350, TITLE "4350 GALLON INNER SAFE-TANK." FOR OUTER TANK DTLS SEE COMPUTER FILE NO. 12104950, TITLE "4350 GALLON OUTER SAFE-TANK/4950 GALLON OPEN TOP TANK."

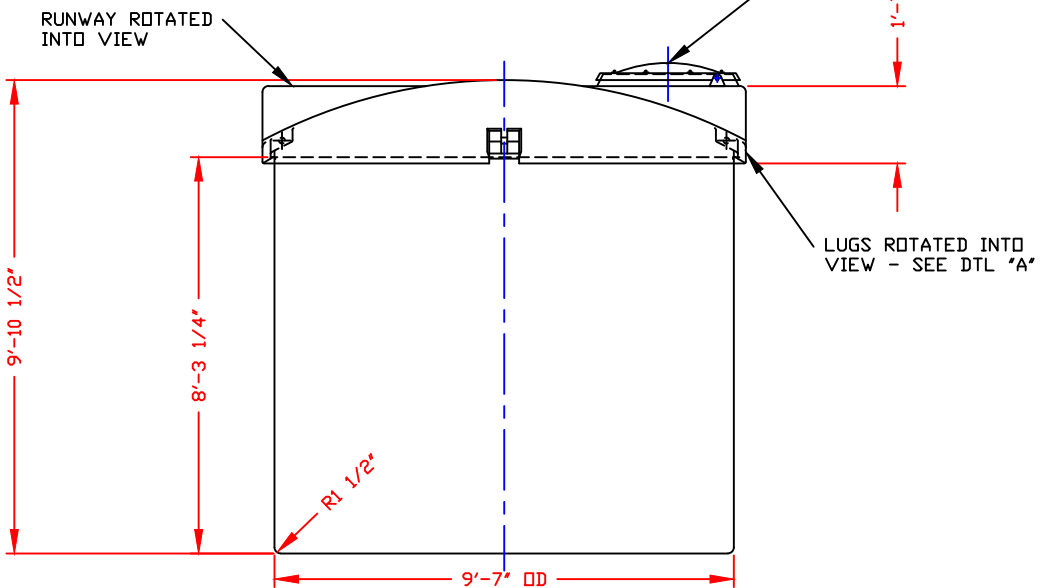
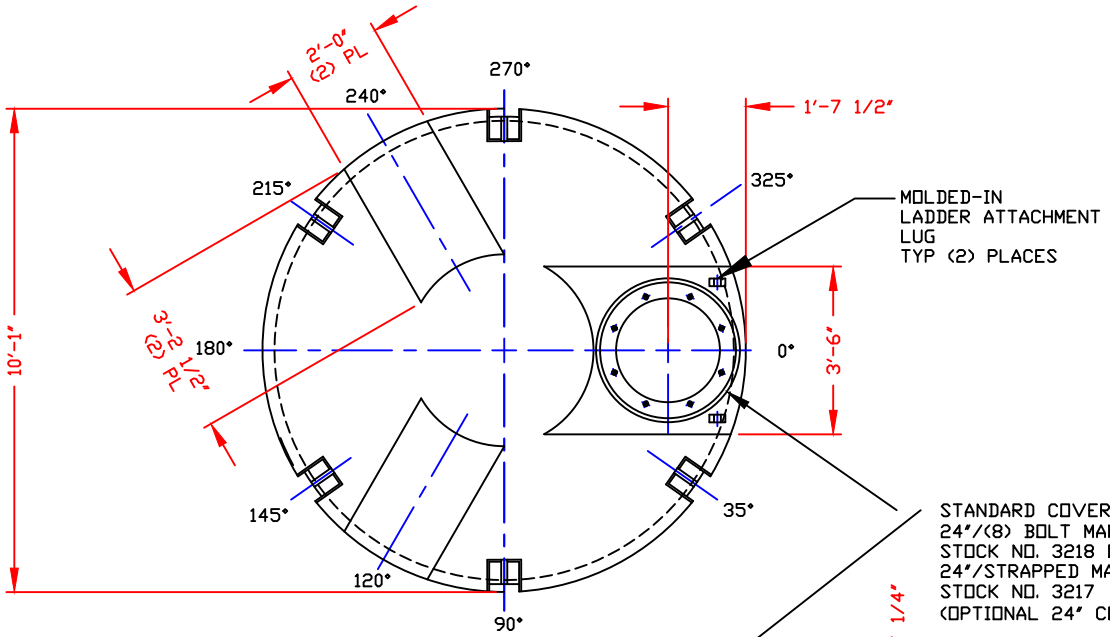
CONFIDENTIAL PROPERTY OF  
 POLY PROCESSING COMPANY  
 NOT FOR REPRINT OR USE  
 WITHOUT PERMISSION

TANK	CALCULATED CAPACITIES/ VOLUME IN U.S. GALLONS		
	DESIGN CAP	DOME VOL	TOTAL VOL
INNER	4385	437	4822
OUTER	4994	N/A	4994

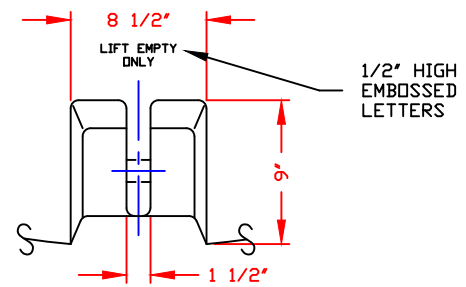
DWG TITLE 4350 GALLON SAFE-TANK ASSEMBLY			
SCALE: 3/8"=1'-0"		Western Region P.O. Box 40 8935 South Ash Street French Camp, CA 95521 CITY 982-8904 FAX (209) 982-0455	DR: B. HARPER
DATE: 09/13/19		CK:	
SHEET 1 OF 1		COMPUTER FILE SAFE-A-04350	REV A

REV "A" ADDED FITTING NOTE BY: BH 3/12/21

NON-CONTROLLED COPY  
 INFORMATION SUBJECT TO CHANGE WITHOUT NOTICE  
 VERIFY REV LEVEL OF PAPER COPY WITH REV LEVEL ON PPC WEB SITE



NOZZLE SCHEDULE & ACCESSORIES						
SERVICE	MK	STOCK NO.	SIZE	FITTING	DEG	ELEV



STANDARD COVER:  
 24"/(8) BOLT MANWAY COVER/PE (SHOWN)  
 STOCK NO. 3218 OR  
 24"/STRAPPED MANWAY COVER/PE  
 STOCK NO. 3217  
 (OPTIONAL 24" COVERS AVAILABLE)

DETAIL "A"  
 SCALE: 1 1/2"=1'-0"

- NOTES:
1. THIS IS A COMPUTER GENERATED DWG. DO NOT REVISE BY HAND.
  2. DIMENSIONS WILL VARY ±3% DUE TO VARIATIONS IN MULTIPLE MOLDS & CONDITIONS PREVALENT DURING MANUFACTURE & USAGE.
  3. NO MOLDED IN GALLONAGE MARKERS THIS TANK.
  4. FOR OUTER TANK DTLS SEE COMPUTER FILE NO. 12104950, TITLE "4350 GALLON OUTER SAFE-TANK/4950 GALLON OPEN TOP TANK." FOR ASSEMBLY DTLS SEE COMPUTER FILE NO. 12004350A, TITLE "4350 GALLON SAFE-TANK ASSEMBLY."

CALCULATED CAPACITIES/ VOLUME IN U.S. GALLONS		
DESIGN CAP	DOME VOL	TOTAL VOL
4385	437	4822

CONFIDENTIAL PROPERTY OF  
 POLY PROCESSING COMPANY  
 NOT FOR REPRINT OR USE  
 WITHOUT PERMISSION

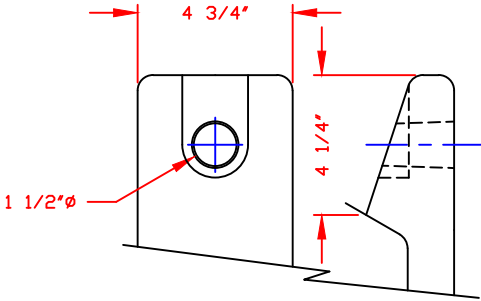
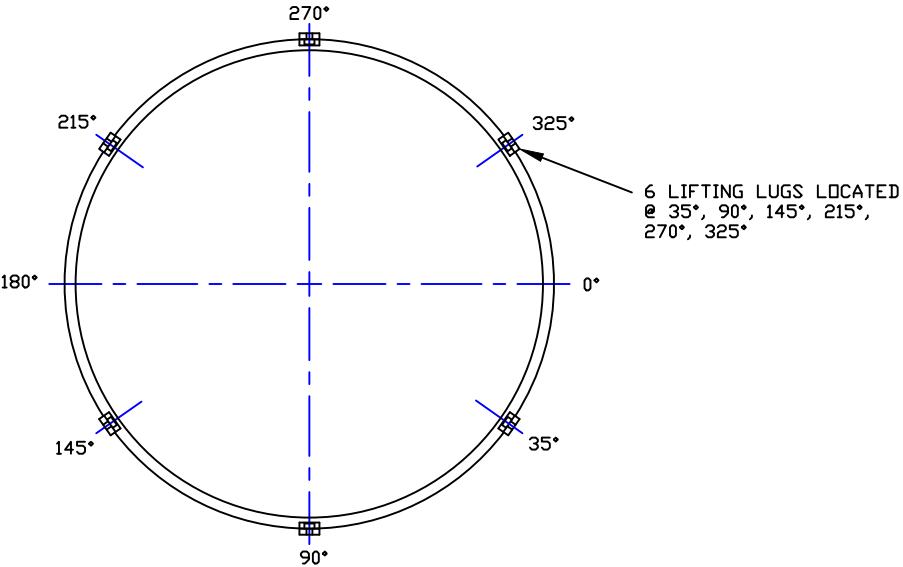
DWG TITLE 4350 GALLON INNER SAFE-TANK			
SCALE: 3/8"=1'-0"		Western Region P.O. Box 60 6025 South 4th Street French Camp, CA 95624 CITY 925-4994 FAX 925-980-6425	DR: B. HARPER
DATE: 09/13/19		CK:	
SHEET 1 OF 1	COMPUTER FILE SAFE-I-04350	REV A	

REV "A" ADDED FITTING NOTE BY: BH 3/12/21

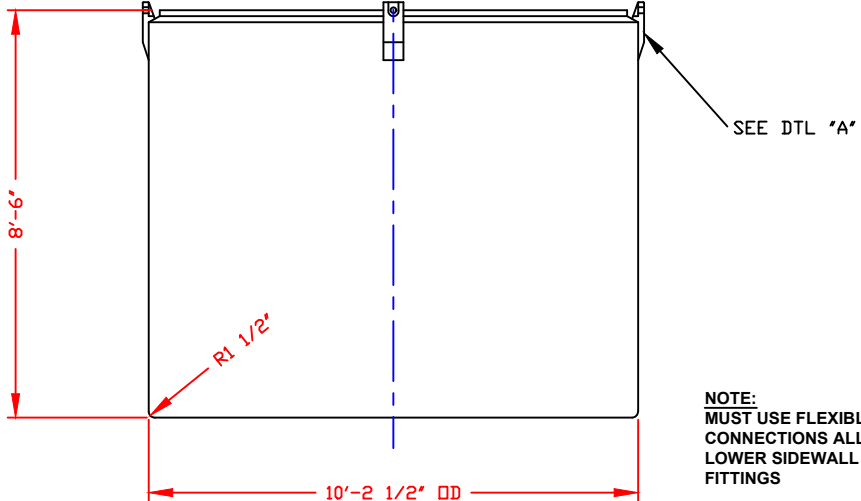
NON-CONTROLLED COPY  
 INFORMATION SUBJECT TO CHANGE WITHOUT NOTICE  
 COPY WILL NOT BE UPDATED

COPY ISSUED BY \_\_\_\_\_  
 COPY ISSUED ON \_\_\_\_\_

NOZZLE SCHEDULE & ACCESSORIES					
SERVICE	MK	STOCK NO.	SIZE	FITTING	DEG ELEV



LUG DETAIL "A"  
 SCALE: 1 1/2" = 1'-0"



- NOTES:
1. THIS IS A COMPUTER GENERATED DWG. DO NOT REVISE BY HAND.
  2. DIMENSIONS WILL VARY ±3% DUE TO VARIATIONS IN MULTIPLE MOLDS & CONDITIONS PREVALENT DURING MANUFACTURE & USAGE.
  3. NO MOLDED IN GALLONAGE MARKERS THIS TANK.
  4. FOR INNER TANK DTLS SEE COMPUTER FILE NO. 12004350, TITLE "4350 GALLON INNER SAFE-TANK." FOR ASSEMBLY DTLS SEE COMPUTER FILE NO. 12004350A, TITLE, "4400 GALLON SAFE-TANK ASSEMBLY."

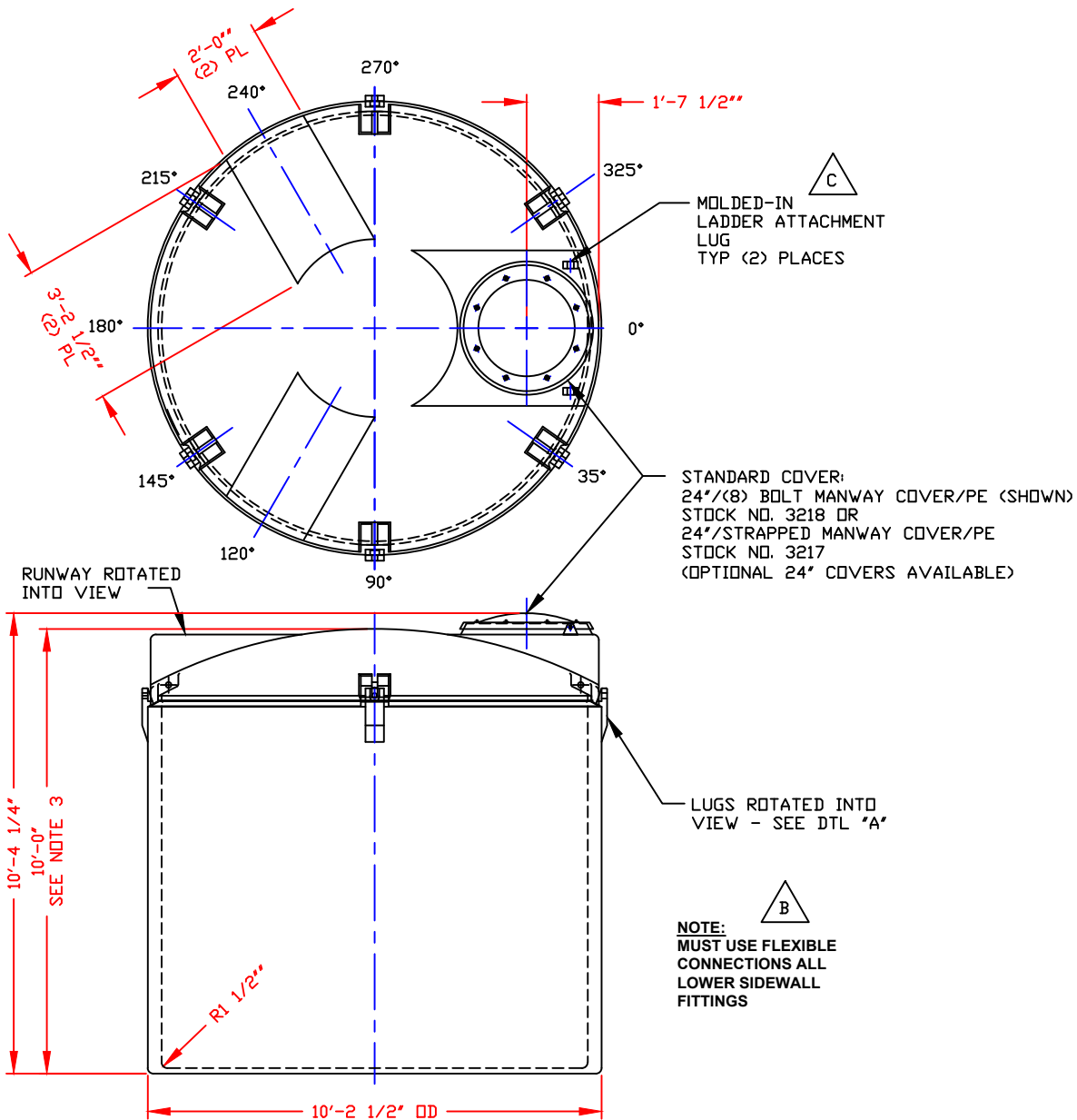
CALCULATED CAPACITY	VOLUME IN U.S. GALLONS
DESIGN CAPACITY	4994

CONFIDENTIAL PROPERTY OF  
 POLY PROCESSING COMPANY  
 NOT FOR REPRINT OR USE  
 WITHOUT PERMISSION

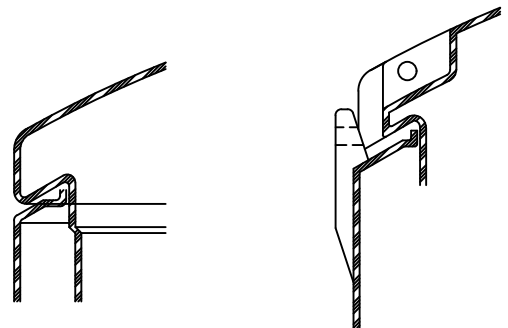
DWG TITLE 4350 & 4400 GALLON OUTER SAFE-TANK/ 4950 GALLON OPEN TOP TANK		Western Region P.O. Box 80 8035 South Ash Street French Camp, CA 95528 (916) 982-4954 FAX (916) 982-3425		DR: B. HARPER CK:
SCALE: 3/8"=1'-0" DATE: 09/13/19	<b>POLYPROCESSING</b> SOLUTIONS, SIMPLIFIED.		SHEET 1 OF 1 COMPUTER FILE SAFE-0-04350	REV A

REV "A" ADDED FITTING NOTE BY: BH 3/12/21

NON-CONTROLLED COPY  
 INFORMATION SUBJECT TO CHANGE WITHOUT NOTICE  
 VERIFY REV LEVEL OF PAPER COPY WITH REV LEVEL ON PPC WEB SITE



NOZZLE SCHEDULE & ACCESSORIES						
SERVICE	MK	STOCK NO.	SIZE	FITTING	DEG	ELEV



- NOTES:
1. THIS IS A COMPUTER GENERATED DWG. DO NOT REVISE BY HAND.
  2. DIMENSIONS WILL VARY ±3% DUE TO VARIATIONS IN MULTIPLE MOLDS & CONDITIONS PREVALENT DURING MANUFACTURE & USAGE.
  3. OVERALL HEIGHT DIMENSION WILL VARY WITH THE PENETRATION OF THE INNER TANK INTO THE OUTER TANK.
  4. NO MOLDED IN GALLONAGE MARKERS THESE TANKS.
  5. FOR INNER TANK DTLS SEE COMPUTER FILE NO. 2004400, TITLE "4400 GALLON INNER SAFE-TANK." FOR OUTER TANK DTLS SEE COMPUTER FILE NO. 2104950, TITLE "4400 GALLON OUTER SAFE-TANK/4950 GALLON OPEN TOP TANK."

CALCULATED CAPACITIES/ VOLUME IN U.S. GALLONS			
TANK	DESIGN CAP	DOME VOL	TOTAL VOL
INNER	4385	437	4822
OUTER	4994	N/A	4994

CONFIDENTIAL PROPERTY OF  
 POLY PROCESSING COMPANY  
 NOT FOR REPRINT OR USE  
 WITHOUT PERMISSION

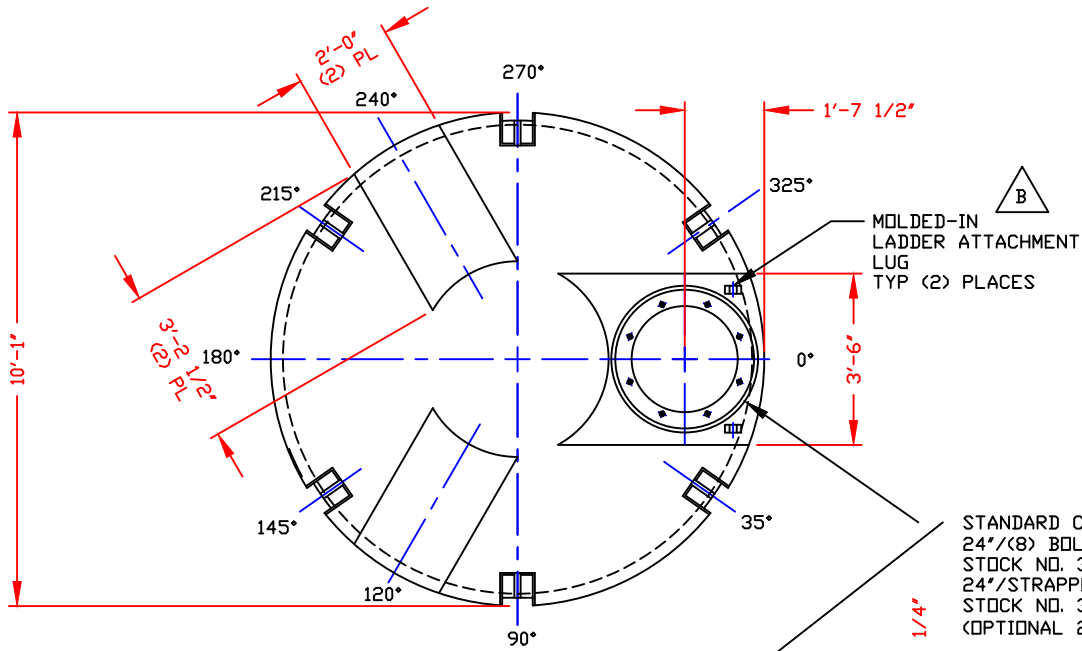
NOTE:  
 MUST USE FLEXIBLE  
 CONNECTIONS ALL  
 LOWER SIDEWALL  
 FITTINGS

DVG TITLE			
4400 GALLON SAFE-TANK ASSEMBLY			
SCALE:	3/8"=1'-0"	 <small>Central Region          P.O. Box 4150 (71811)          8201 Old Sterlington Rd.          Monroe, LA 71203          (504) 343-7565          FAX: (504) 343-8795</small>	DR:
DATE:	09/13/19		CK:
SHEET		COMPUTER FILE	REV
1 OF 1		SAFE-A-04400	C

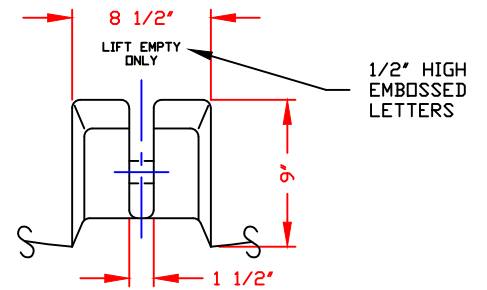
REV "C" ADDED LADDER ATTACHMENT LUGS BY:JB 8/30/04 CK:WM  
 REV "B" ADDED FITTING NOTE BY:MBW 4/16/03 CK:JB  
 REV "A" REDRAWN SHOWING MOLD MODIFICATIONS BY:MBW 5/15/02 CK:JB

NON-CONTROLLED COPY  
 INFORMATION SUBJECT TO CHANGE WITHOUT NOTICE  
 VERIFY REV LEVEL OF PAPER COPY WITH REV LEVEL ON PPC WEB SITE

REV "A" REDRAWN SHOWING MOLD MODIFICATIONS BY MBW 5/15/02 CK-JB  
 REV "B" ADDED LADDER ATTACHMENT LUGS BY JUB 8/30/04 CK-WM



STANDARD COVER:  
 24"/(8) BOLT MANWAY COVER/PE (SHOWN)  
 STOCK NO. 3218 OR  
 24"/STRAPPED MANWAY COVER/PE  
 STOCK NO. 3217  
 (OPTIONAL 24" COVERS AVAILABLE)



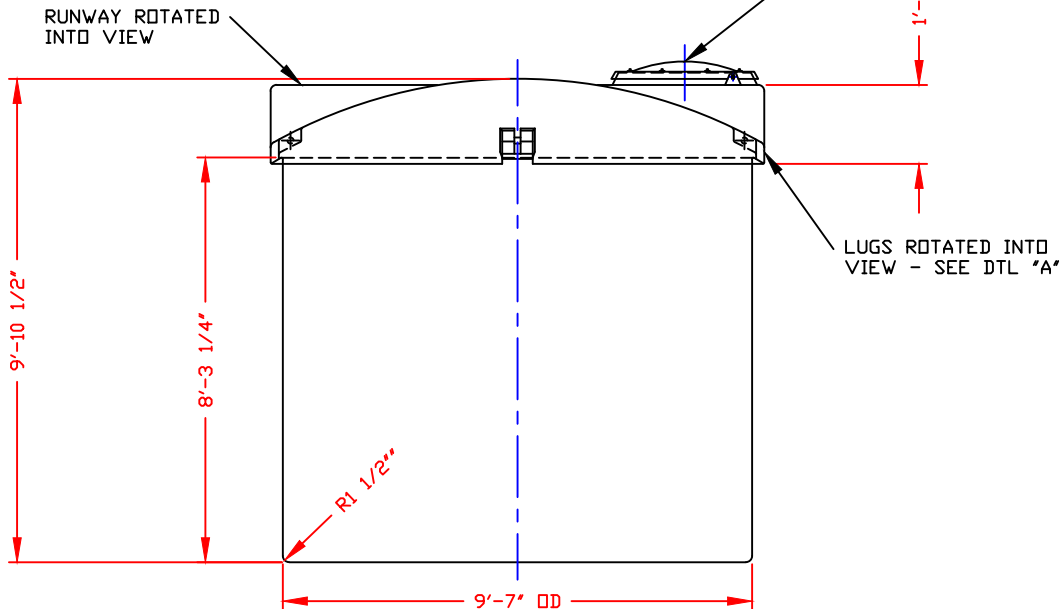
DETAIL "A"  
 SCALE: 1 1/2"=1'-0"


NOTES:

1. THIS IS A COMPUTER GENERATED DWG. DO NOT REVISE BY HAND.
2. DIMENSIONS WILL VARY ±3% DUE TO VARIATIONS IN MULTIPLE MOLDS & CONDITIONS PREVALENT DURING MANUFACTURE & USAGE.
3. NO MOLDED IN GALLONAGE MARKERS THIS TANK.
4. FOR OUTER TANK DTLS SEE COMPUTER FILE NO. 2104950, TITLE "4400 GALLON OUTER SAFE-TANK/4950 GALLON OPEN TOP TANK." FOR ASSEMBLY DTLS SEE COMPUTER FILE NO. 2004400A, TITLE "4400 GALLON SAFE-TANK ASSEMBLY."

CALCULATED CAPACITIES/ VOLUME IN U.S. GALLONS		
DESIGN CAP	DOME VOL	TOTAL VOL
4385	437	4822

CONFIDENTIAL PROPERTY OF  
 POLY PROCESSING COMPANY  
 NOT FOR REPRINT OR USE  
 WITHOUT PERMISSION

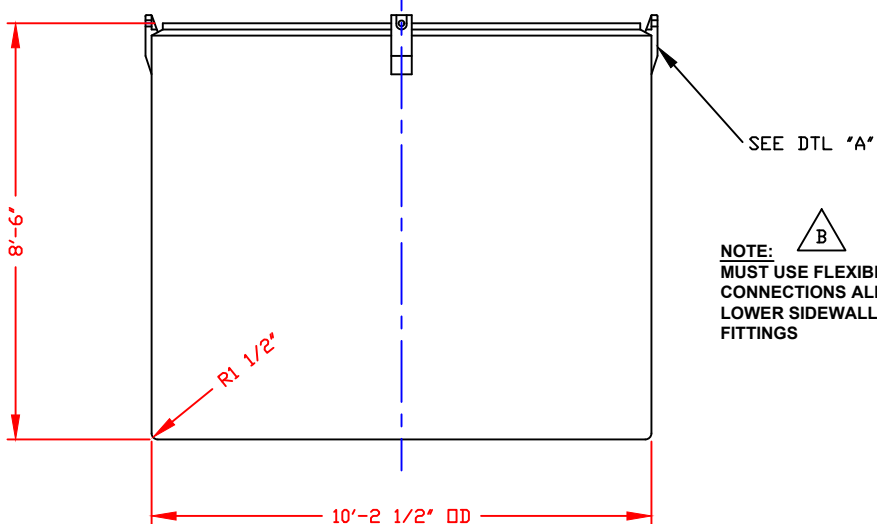
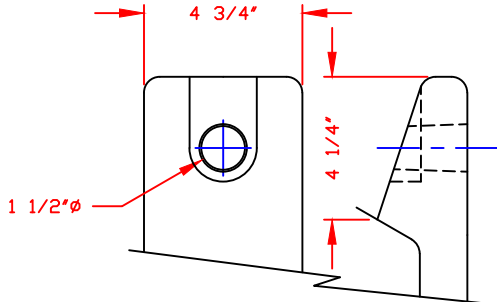
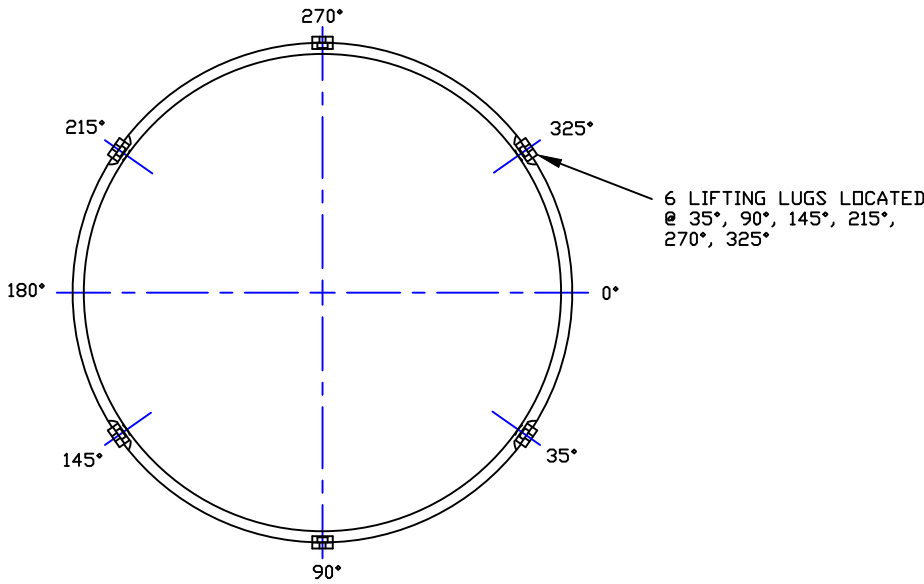


DWG TITLE 4400 GALLON INNER SAFE-TANK				
SCALE: 3/8"=1'-0"	 POLYPROCESSING SOLUTIONS. SIMPLIFIED.	Central Region P.O. Box 4150 (71211) 2801 Old Springington Rd. Monroe, LA 71203 CITY 343-7665 FAX 336-8795	DR: B. HARPER	
DATE: 09/113/19			CK:	
SHEET 1 OF 1		COMPUTER FILE SAFE-I-04400		REV B

NON-CONTROLLED COPY  
 INFORMATION SUBJECT TO CHANGE WITHOUT NOTICE  
 COPY WILL NOT BE UPDATED

COPY ISSUED BY \_\_\_\_\_  
 COPY ISSUED ON \_\_\_\_\_

NOZZLE SCHEDULE & ACCESSORIES						
SERVICE	MK	STOCK NO.	SIZE	FITTING	DEG	ELEV



- NOTES:
1. THIS IS A COMPUTER GENERATED DWG. DO NOT REVISE BY HAND.
  2. DIMENSIONS WILL VARY ±3% DUE TO VARIATIONS IN MULTIPLE MOLDS & CONDITIONS PREVALENT DURING MANUFACTURE & USAGE.
  3. NO MOLDED IN GALLONAGE MARKERS THIS TANK.
  4. FOR INNER TANK DTLS SEE COMPUTER FILE NO. 2004400, TITLE "4400 GALLON INNER SAFE-TANK." FOR ASSEMBLY DTLS SEE COMPUTER FILE NO. 2004400A, TITLE, "4400 GALLON SAFE-TANK ASSEMBLY."

CALCULATED CAPACITY	VOLUME IN U.S. GALLONS
DESIGN CAPACITY	4994

CONFIDENTIAL PROPERTY OF  
 POLY PROCESSING COMPANY  
 NOT FOR REPRINT OR USE  
 WITHOUT PERMISSION

DWG TITLE 4350 & 4400 GALLON OUTER SAFE-TANK/  
 4950 GALLON OPEN TOP TANK

SCALE: 3/8"=1'-0" DR: B. HARPER  
 DATE: 09/13/19 CK:   
 POLYPROCESSING SOLUTIONS, SIMPLIFIED. Central Region P.O. Box 4188 71821 8501 Old Shortington Rd. Harvey, LA 71303 USA 343-7263 FAX 343-6795

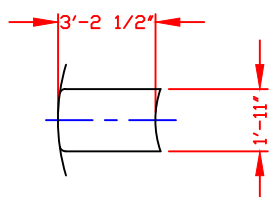
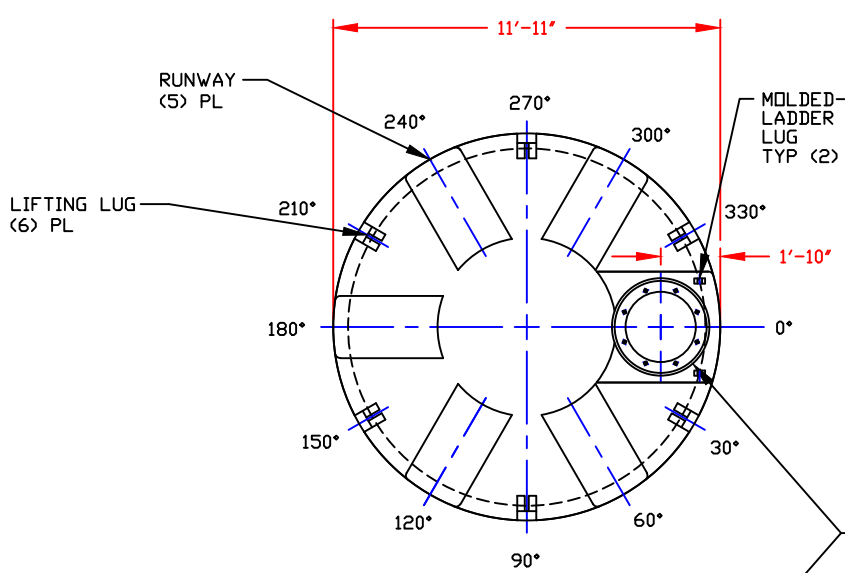
SHEET	COMPUTER FILE	REV
1 OF 1	SAFE-0-04400	B

REV "B" ADDED FITTING NOTE BY:MBW 4/16/03 CK:JB  
 REV "A" REDRAWN SHOWING MOLD MODIFICATIONS BY:MBW 5/15/02 CK:JB

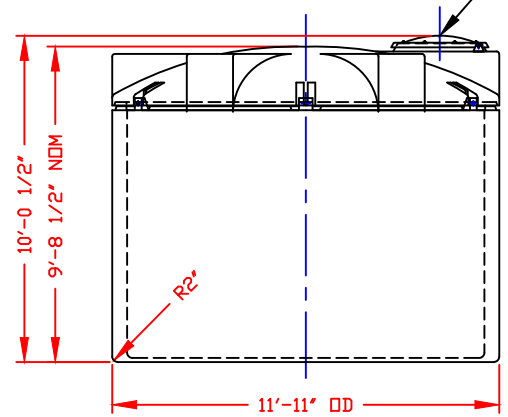


NON-CONTROLLED COPY  
 INFORMATION SUBJECT TO CHANGE WITHOUT NOTICE  
 VERIFY REV LEVEL OF PAPER COPY WITH REV LEVEL ON PPC WEB SITE

NOZZLE SCHEDULE & ACCESSORIES						
SERVICE	MK	STOCK NO.	SIZE	FITTING	DEG	ELEV



STANDARD COVER: 24"/(8) BOLT  
 MANWAY COVER/PE (SHOWN)  
 STOCK NO. 3218 OR  
 24"/STRAPPED MANWAY COVER/PE  
 STOCK NO. 3217  
 (OPTIONAL 24' COVERS AVAILABLE)



NOTE:  
 MUST USE FLEXIBLE  
 CONNECTIONS ALL  
 LOWER SIDEWALL  
 FITTINGS

- NOTES**
1. THIS IS A COMPUTER GENERATED DWG. DO NOT REVISE BY HAND.
  2. DIMENSIONS WILL VARY ±3% DUE TO VARIATIONS IN MULTIPLE MOLDS & CONDITIONS PREVALENT DURING MANUFACTURE & USAGE.
  3. OVERALL HEIGHT DIMENSION WILL VARY WITH THE PENETRATION OF THE INNER TANK INTO THE OUTER TANK.
  4. FOR INNER TANK DTLS SEE COMPUTER FILE NO. 2005400, TITLE "5400 GALLON INNER SAFE-TANK" FOR OUTER TANK DTLS SEE COMPUTER FILE NO. 2106300, TITLE "5400 GALLON OUTER SAFE-TANK / 6300 GALLON OPEN TOP TANK."

CALCULATED CAPACITIES/ VOLUME IN U.S. GALLONS			
TANK	DESIGN	CAP/DOME	TOTAL VOL
INNER	5447	659	6106
OUTER	6346	N/A	6346

CONFIDENTIAL PROPERTY OF  
 POLY PROCESSING COMPANY  
 NOT FOR REPRINT OR USE  
 WITHOUT PERMISSION

- REV "E" ADDED RUNWAYS TO ELEV VIEW BY:JB 3/30/10 CK:SN
- REV "D" ADDED (3) RUNWAYS BY:JB 8/17/09 CK:WM
- REV "C" ADDED RUNWAY DETAIL BY:MBW 10/26/05 CK:JB
- REV "B" ADDED LADDER ATTACHMENT LUGS BY:JB 9/23/04 CK:WM
- REV "A" ADDED FITTING NOTE BY:MBW 4/16/03 CK:JB

DWG TITLE  
**5400 GALLON SAFE-TANK ASSEMBLY**

SCALE: 1/4"=1'-0"  
 DATE: 09/13/19

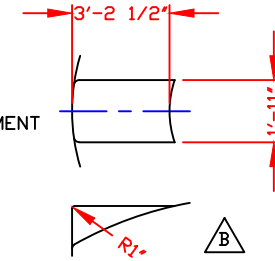
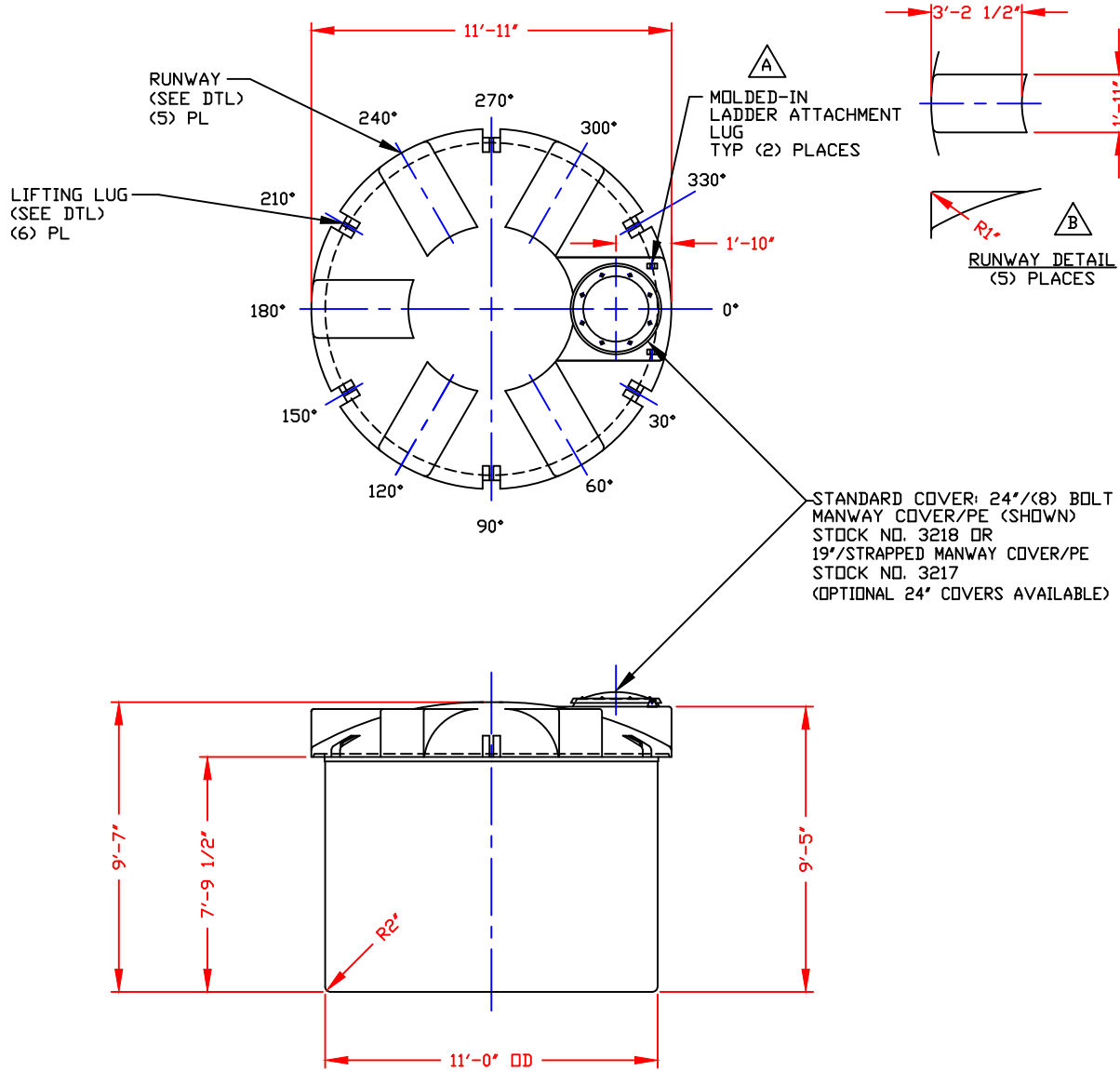
POLYPROCESSING SOLUTIONS, SIMPLIFIED

Central Region  
 P.O. Box 4150 07810  
 2501 Old Sterlington Rd.  
 Monroe, LA 71203  
 (504) 343-7325  
 FAX (504) 343-8795

DR: B. HARPER  
 CK:

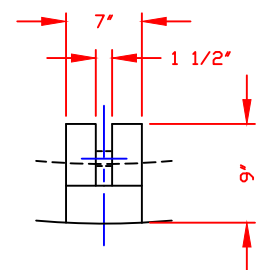
SHEET	COMPUTER FILE	REV
1 OF 1	SAFE-A-05400	E

NON-CONTROLLED COPY  
 INFORMATION SUBJECT TO CHANGE WITHOUT NOTICE  
 VERIFY REV LEVEL OF PAPER COPY WITH REV LEVEL ON PPC WEB SITE



NOZZLE SCHEDULE & ACCESSORIES					
SERVICE	MK	STOCK NO.	SIZE	FITTING	DEG ELEV

NOTE: MOLDED IN 3/8"  
 HIGH LETTERING ABOVE  
 LIFTING LUGS TO READ:  
 \*LIFT EMPTY ONLY  
 USE ALL LIFTING LUGS\*



- NOTES**
- THIS IS A COMPUTER GENERATED DWG. DO NOT REVISE BY HAND.
  - DIMENSIONS WILL VARY ±3% DUE TO VARIATIONS IN MULTIPLE MOLDS & CONDITIONS PREVALENT DURING MANUFACTURE & USAGE.
  - FOR OUTER TANK DTLS SEE COMPUTER FILE NO. 2106300, TITLE "5400 GALLON OUTER SAFE-TANK/6300 GALLON OPEN TOP TANK." FOR ASSEMBLY DTLS SEE COMPUTER FILE NO. 2005400A, TITLE "5400 GALLON SAFE-TANK ASSEMBLY."

CALCULATED CAPACITIES/ VOLUME IN U.S. GALLONS		
DESIGN CAP	DOME VOL	TOTAL VOL
5447	659	6106

CONFIDENTIAL PROPERTY OF  
 POLY PROCESSING COMPANY  
 NOT FOR REPRINT OR USE  
 WITHOUT PERMISSION

DWG TITLE 5400 GALLON INNER SAFE-TANK				
SCALE: 1/4"=1'-0"		Central Region P.O. Box 4150 (71812) 2201 Old Sterlington Rd. Monroe, LA 71203 504-243-7265 FAX 504-243-8795	DR: B. HARPER	SHEET 1 OF 1
DATE: 09/13/19		CK: 	COMPUTER FILE SAFE-I-05400	
REV "C" ADDED RUNWAYS ELEV VIEW BY:JB 3/30/10 CK:SN			C	
REV "B" ADDED (3) RUNWAYS BY:JB 8/18/09 CK:WM				
REV "A" ADDED LADDER ATTACHMENT LUGS BY:JB 9/23/04 CK:WM				

B-25

NON-CONTROLLED COPY

INFORMATION SUBJECT TO CHANGE WITHOUT NOTICE

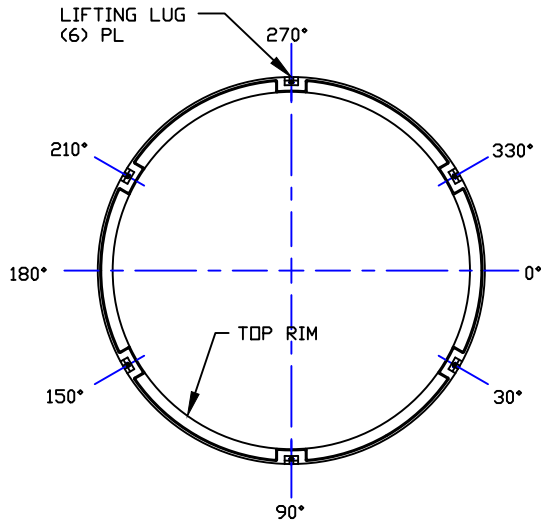
COPY WILL NOT BE UPDATED

COPY ISSUED BY.....

COPY ISSUED ON.....

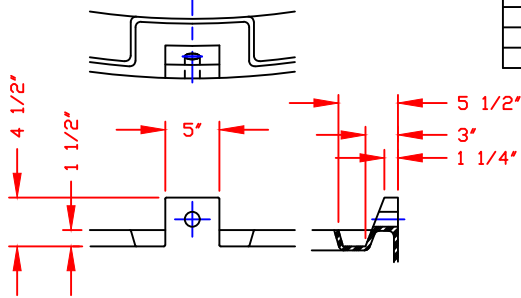
NOZZLE SCHEDULE & ACCESSORIES

SERVICE	MK	STOCK NO.	SIZE	FITTING	DEG	ELEV

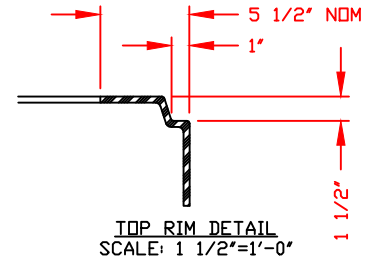


NOTE: MOLDED IN 3/8" HIGH LETTERING UNDER LIFTING LUGS TO READ:

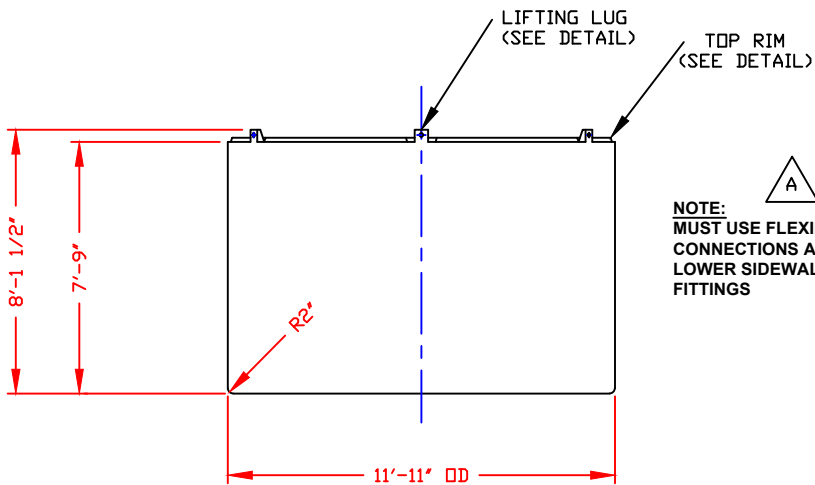
LIFT EMPTY ONLY  
USE ALL LIFTING LUGS



LIFTING LUG DETAIL  
(6) PLACES  
SCALE: 1"=1'-0"



TOP RIM DETAIL  
SCALE: 1 1/2"=1'-0"



NOTES

1. THIS IS A COMPUTER GENERATED DWG. DO NOT REVISE BY HAND.
2. DIMENSIONS WILL VARY ±3% DUE TO VARIATIONS IN MULTIPLE MOLDS & CONDITIONS PREVALENT DURING MANUFACTURE & USAGE.
3. NO GALLONAGE MARKERS THIS TANK.
4. FOR INNER TANK DTLS SEE COMPUTER FILE NO. 2005400, TITLE "5400 GALLON INNER SAFE-TANK." FOR ASSEMBLY DTLS SEE COMPUTER FILE NO. 2005400A, TITLE "5400 GALLON SAFE-TANK ASSEMBLY."

CALCULATED CAPACITY  
VOLUME IN U.S. GALLONS  
DESIGN CAPACITY  
6346

CONFIDENTIAL PROPERTY OF  
POLY PROCESSING COMPANY  
NOT FOR REPRINT OR USE  
WITHOUT PERMISSION

DWG TITLE  
5400 GALLON OUTER SAFE-TANK/  
6300 GALLON OPEN TOP TANK

SCALE: 1/4"=1'-0"  
DATE: 09/13/19

**POLYPROCESSING**  
SOLUTIONS, SIMPLIFIED.

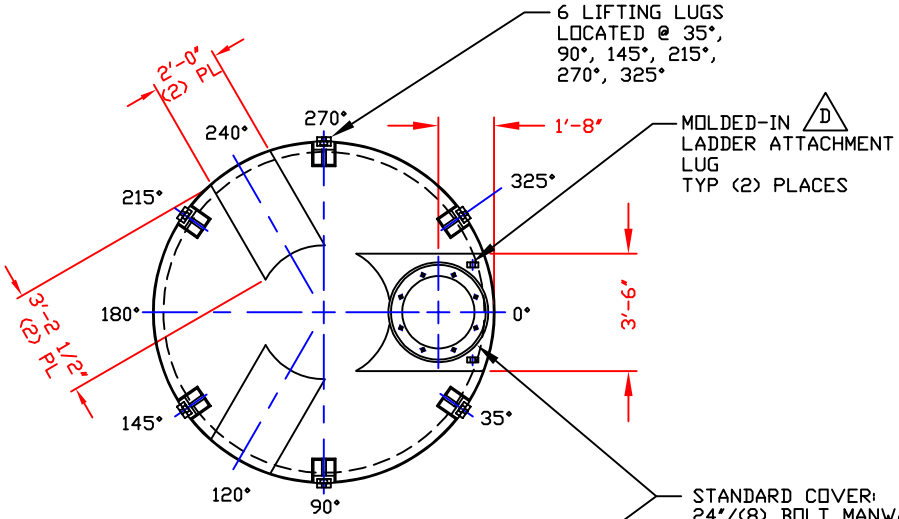
Central Region  
P.O. Box 4028 07120  
2501 Big Spring Rd.  
Morgan, LA 71053  
C/O: 343-7963  
FAX: 343-8795

DR: B. HARPER  
CK:           

SHEET 1 OF 1  
COMPUTER FILE SAFE-0-05400  
REV A

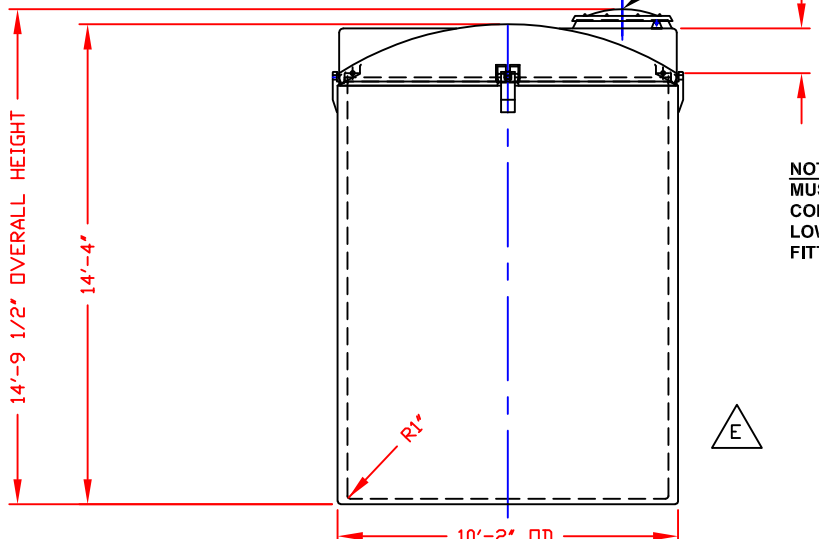
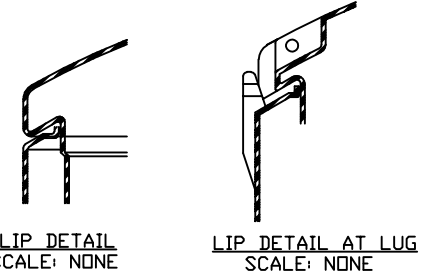
NON-CONTROLLED COPY  
 INFORMATION SUBJECT TO CHANGE WITHOUT NOTICE  
 VERIFY REV LEVEL OF PAPER COPY WITH REV LEVEL ON PPC WEB SITE

NOZZLE SCHEDULE & ACCESSORIES						
SERVICE	MK	STOCK NO.	SIZE	FITTING	DEG	ELEV



MOLDED-IN LADDER ATTACHMENT LUG  
 TYP (2) PLACES

STANDARD COVER:  
 24"/(8) BOLT MANWAY COVER/PE (SHOWN)  
 STOCK NO. 3218 OR  
 24"/STRAPPED MANWAY COVER/PE  
 STOCK NO. 3217  
 (OPTIONAL 24" COVERS AVAILABLE)



NOTE: MUST USE FLEXIBLE CONNECTIONS ALL LOWER SIDEWALL FITTINGS

- NOTES:
- THIS IS A COMPUTER GENERATED DWG. DO NOT REVISE BY HAND.
  - DIMENSIONS WILL VARY ±3% DUE TO VARIATIONS IN MULTIPLE MOLDS & CONDITIONS PREVALENT DURING MANUFACTURE & USAGE.
  - OVERALL HEIGHT DIMENSION WILL VARY WITH THE PENETRATION OF THE INSIDE TANK INTO THE OUTSIDE TANK.
  - FOR INNER TANK DTLS SEE COMPUTER FILE NO. 2006650, TITLE "6650 GALLON INNER SAFE-TANK" FOR OUTER TANK DTLS SEE COMPUTER FILE NO. 2107450, TITLE "6650 GALLON OUTER SAFE-TANK/7450 GALLON OPEN TOP TANK".

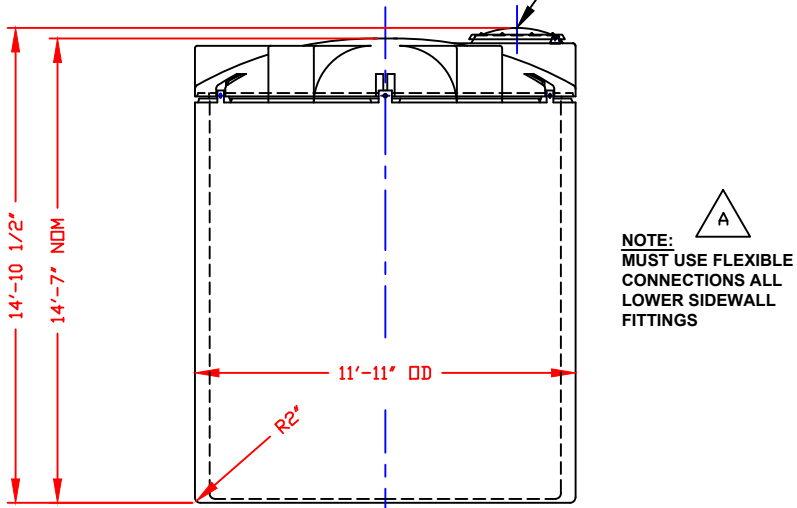
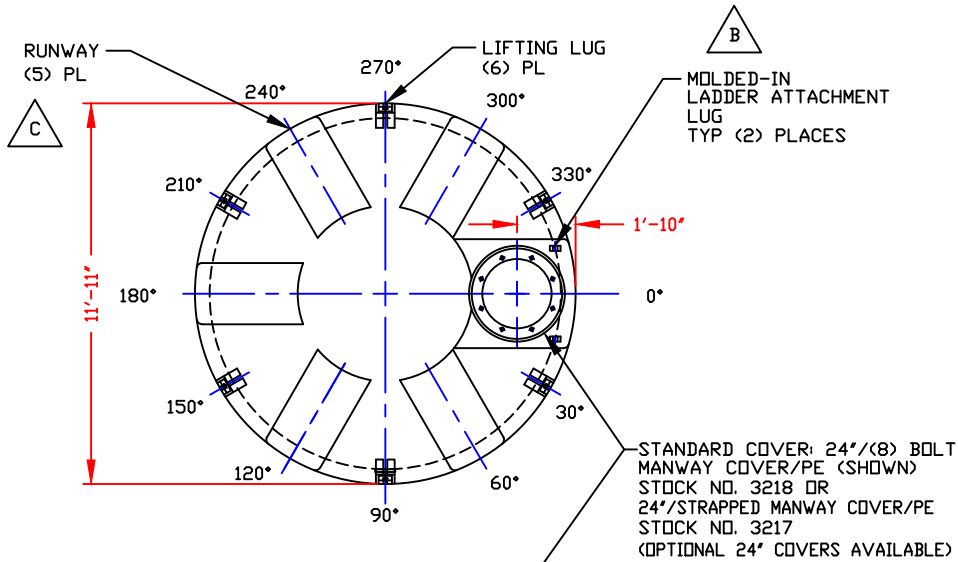
CALCULATED CAPACITIES/ VOLUME IN U.S. GALLONS			
TANK	DESIGN CAP	DOME VOL	TOTAL VOL
INNER	6667	420	7087
OUTER	7455	N/A	7455

CONFIDENTIAL PROPERTY OF  
 POLY PROCESSING COMPANY  
 NOT FOR REPRINT OR USE  
 WITHOUT PERMISSION

REV "F" CHANGE MANWAY CASTLE WIDTH BY:BT 6/16/22 CK:BW	REV "B" MOLD MODIFICATION ADDING LIFTING LUGS & RUNWAYS BY:MBW 12/6/02 CK:JB
REV "E" MOLD MOD. DELETED CHOCKS BY:MBW 11/1/07 CK:WM	REV "A" ADDED DEGREES BY:MBW 2/28/01 CK:JB
REV "D" ADDED LADDER ATTACHMENT LUGS BY:JB 10/1/04 CK:WM	REV "C" ADDED FITTING NOTE BY:MBW 4/16/03 CK:JB

DWG TITLE 6650 GALLON SAFE-TANK ASSEMBLY			
SCALE: 1/4"=1'-0"		Central Region P.O. Box 4150 (71811) 8201 Oak Street/Baton Rouge Monroe, LA 71203 C180 343-7565 FAX (504) 343-8795	DR: MB WILKERSON
DATE: 12/7/99		POLYPROCESSING COMPANY LLC	CK: D. RECTOR
SHEET 1 OF 1		COMPUTER FILE 2006650A	REV E

NON-CONTROLLED COPY  
 INFORMATION SUBJECT TO CHANGE WITHOUT NOTICE  
 VERIFY REV LEVEL OF PAPER COPY WITH REV LEVEL ON PPC WEB SITE




NOZZLE SCHEDULE & ACCESSORIES					
SERVICE	MK	STOCK NO.	SIZE	FITTING	DEG ELEV

- NOTES**
1. THIS IS A COMPUTER GENERATED DWG. DO NOT REVISE BY HAND.
  2. DIMENSIONS WILL VARY ±3% DUE TO VARIATIONS IN MULTIPLE MOLDS & CONDITIONS PREVALENT DURING MANUFACTURE & USAGE.
  3. OVERALL HEIGHT DIMENSION WILL VARY WITH THE PENETRATION OF THE INSIDE TANK INTO THE OUTSIDE TANK.
  4. FOR INNER TANK DTLS SEE COMPUTER FILE NO. 2008700, TITLE "8700 GALLON INNER SAFE-TANK" FOR OUTER TANK DTLS SEE COMPUTER FILE NO. 2110150, TITLE "8700 GALLON OUTER SAFE-TANK/ 10150 GALLON OPEN TOP TANK."

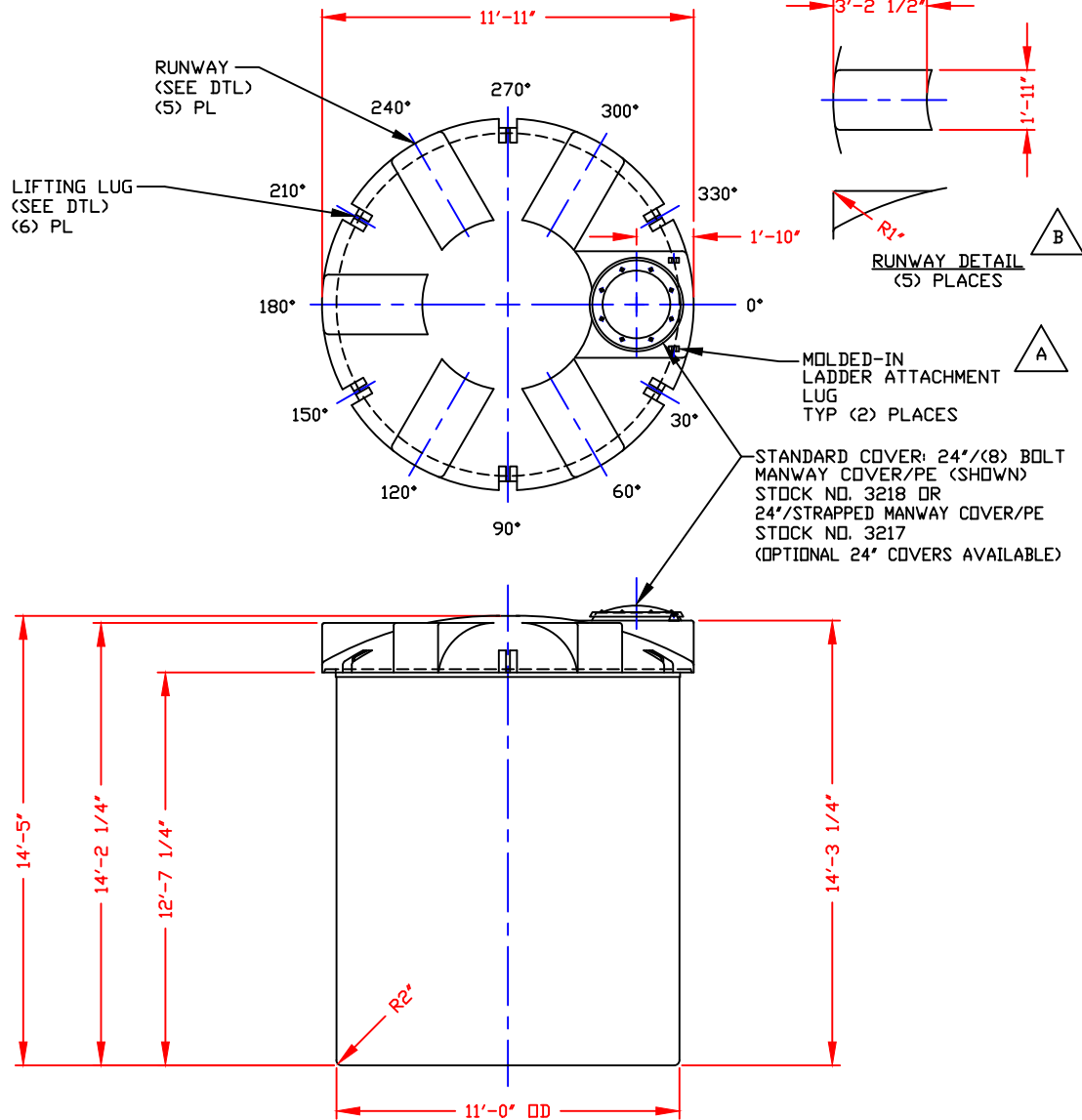
TANK	DESIGN CAP	DOME VOL	TOTAL VOL
INNER	8727	675	9402
OUTER	10174	N/A	10174

CONFIDENTIAL PROPERTY OF  
 POLY PROCESSING COMPANY  
 NOT FOR REPRINT OR USE  
 WITHOUT PERMISSION

DWG TITLE			
8700 GALLON SAFE-TANK ASSEMBLY			
SCALE:	1/4"=1'-0"	 Central Region P.O. Box 4150 71813 2200 Old Stoneington Rd. Monroe, LA 71203 CSD 343-7350 FAX 343-8795	DR:
DATE:	09/13/19		B. HARPER
SHEET		COMPUTER FILE	REV
1 OF 1		SAFE-A-08700	D

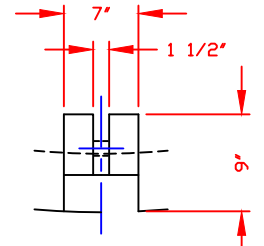
- REV "D" ADDED RUNWAYS TO ELEV VIEW BY:JB 3/30/10 CK:SN
- REV "C" ADDED (3) RUNWAYS BY:JB 8/18/09 CK:WM
- REV "B" ADDED LADDER ATTACHMENT LUGS BY:JB 9/22/04 CK:WM
- REV "A" ADDED FITTING NOTE BY:MBW 4/16/03 CK:JB

NON-CONTROLLED COPY  
 INFORMATION SUBJECT TO CHANGE WITHOUT NOTICE  
 VERIFY REV LEVEL OF PAPER COPY WITH REV LEVEL ON PPC WEB SITE



NOZZLE SCHEDULE & ACCESSORIES						
SERVICE	MK	STOCK NO.	SIZE	FITTING	DEG	ELEV

NOTE: MOLDED IN 3/8" HIGH LETTERING ABOVE LIFTING LUGS TO READ:  
 \*LIFT EMPTY ONLY  
 USE ALL LIFTING LUGS\*



LIFTING LUG DETAIL  
 (6) PLACES  
 SCALE: 1"=1'-0"

**NOTES**  
 1. THIS IS A COMPUTER GENERATED DWG. DO NOT REVISE BY HAND.  
 2. DIMENSIONS WILL VARY ±3% DUE TO VARIATIONS IN MULTIPLE MOLDS & CONDITIONS PREVALENT DURING MANUFACTURE & USAGE.  
 3. FOR OUTER TANK DTLS SEE COMPUTER FILE NO. 2110150, TITLE "8700 GALLON OUTER SAFE-TANK/10150 GALLON OPEN TOP TANK." FOR ASSEMBLY DTLS SEE COMPUTER FILE NO. 2008700A, TITLE "8700 GALLON SAFE-TANK ASSEMBLY."

CALCULATED CAPACITIES/ VOLUME IN U.S. GALLONS		
DESIGN CAP	DOME VOL	TOTAL VOL
8727	675	9402

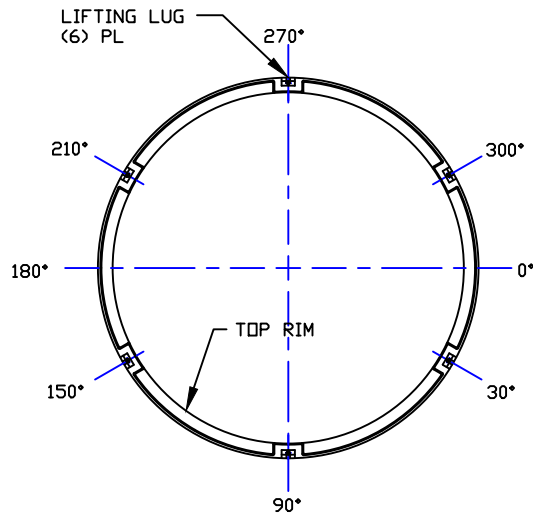
CONFIDENTIAL PROPERTY OF  
 POLY PROCESSING COMPANY  
 NOT FOR REPRINT OR USE  
 WITHOUT PERMISSION

DWG TITLE 8700 GALLON INNER SAFE-TANK			
SCALE: 1/4"=1'-0"		DR: B. HARPER	Central Region P.O. Box 4350 07813 220 East Livingston Rd. Monroe, LA 71202 CIB 343-7865 FAX CIB 343-8795
DATE: 09/13/19		CK:	
SHEET 1 OF 1		COMPUTER FILE SAFE-I-08700	REV C

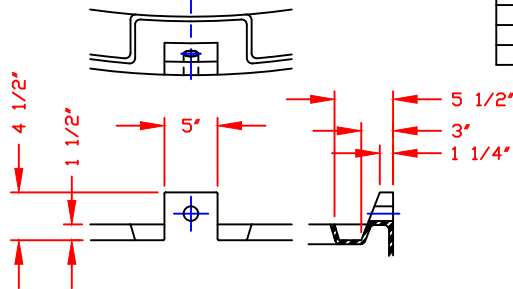
REV "C" ADDED RUNWAYS TO ELEV VIEW BY:JB 3/30/10 CK:SN
REV "B" ADDED (3) RUNWAYS BY:JB 8/18/09 CK:WM
REV "A" ADDED LADDER ATTACHMENT LUGS BY:JB 9/22/04 CK:WM

NON-CONTROLLED COPY  
 INFORMATION SUBJECT TO CHANGE WITHOUT NOTICE  
 VERIFY REV LEVEL OF PAPER COPY WITH REV LEVEL ON PPC WEB SITE

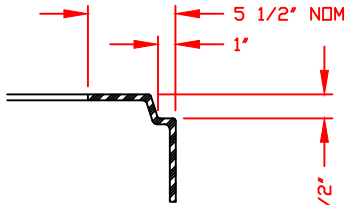
NOZZLE SCHEDULE & ACCESSORIES					
SERVICE	MK	STOCK NO.	SIZE	FITTING	DEG ELEV



NOTE: MOLDED IN 3/8" HIGH LETTERING UNDER LIFTING LUGS TO READ:  
 LIFT EMPTY ONLY  
 USE ALL LIFTING LUGS

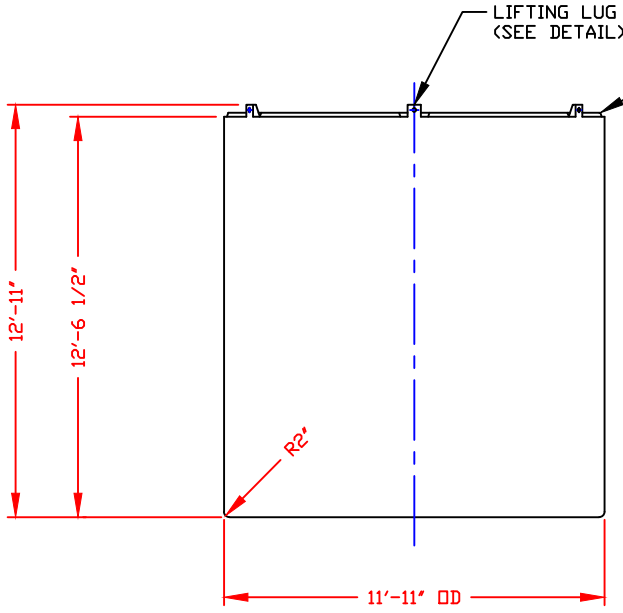


LIFTING LUG DETAIL  
 (6) PLACES  
 SCALE: 1"=1'-0"



TOP RIM DETAIL  
 SCALE: 1 1/2"=1'-0"


- NOTES**
- THIS IS A COMPUTER GENERATED DWG. DO NOT REVISE BY HAND.
  - DIMENSIONS WILL VARY ±3% DUE TO VARIATIONS IN MULTIPLE MOLDS & CONDITIONS PREVALENT DURING MANUFACTURE & USAGE.
  - NO GALLONAGE MARKERS THIS TANK.
  - FOR INNER TANK DTLS SEE COMPUTER FILE NO. 2008700, TITLE "8700 GALLON INNER SAFE-TANK." FOR ASSEMBLY DTLS SEE COMPUTER FILE NO. 2008700A, TITLE "8700 GALLON SAFE-TANK ASSEMBLY."



**NOTE:**  MUST USE FLEXIBLE CONNECTIONS ALL LOWER SIDEWALL FITTINGS

CALCULATED CAPACITY  
 VOLUME IN U.S. GALLONS  
 DESIGN CAPACITY  
 10174

CONFIDENTIAL PROPERTY OF  
 POLY PROCESSING COMPANY  
 NOT FOR REPRINT OR USE  
 WITHOUT PERMISSION

DWG TITLE		8700 GALLON OUTER SAFE-TANK/ 10150 GALLON OPEN TOP TANK		
SCALE:	1/4"=1'-0"	 Central Region P.O. Box 4150 (75211) 8201 Ind. Sterling Rd. Norcross, LA 75053 (980) 343-7563 FAX (980) 343-6795	DR:	B. HARPER
DATE:	09/13/19		CK:	
SHEET		COMPUTER FILE	REV	
1 OF 1		SAFE-D-08700	A	