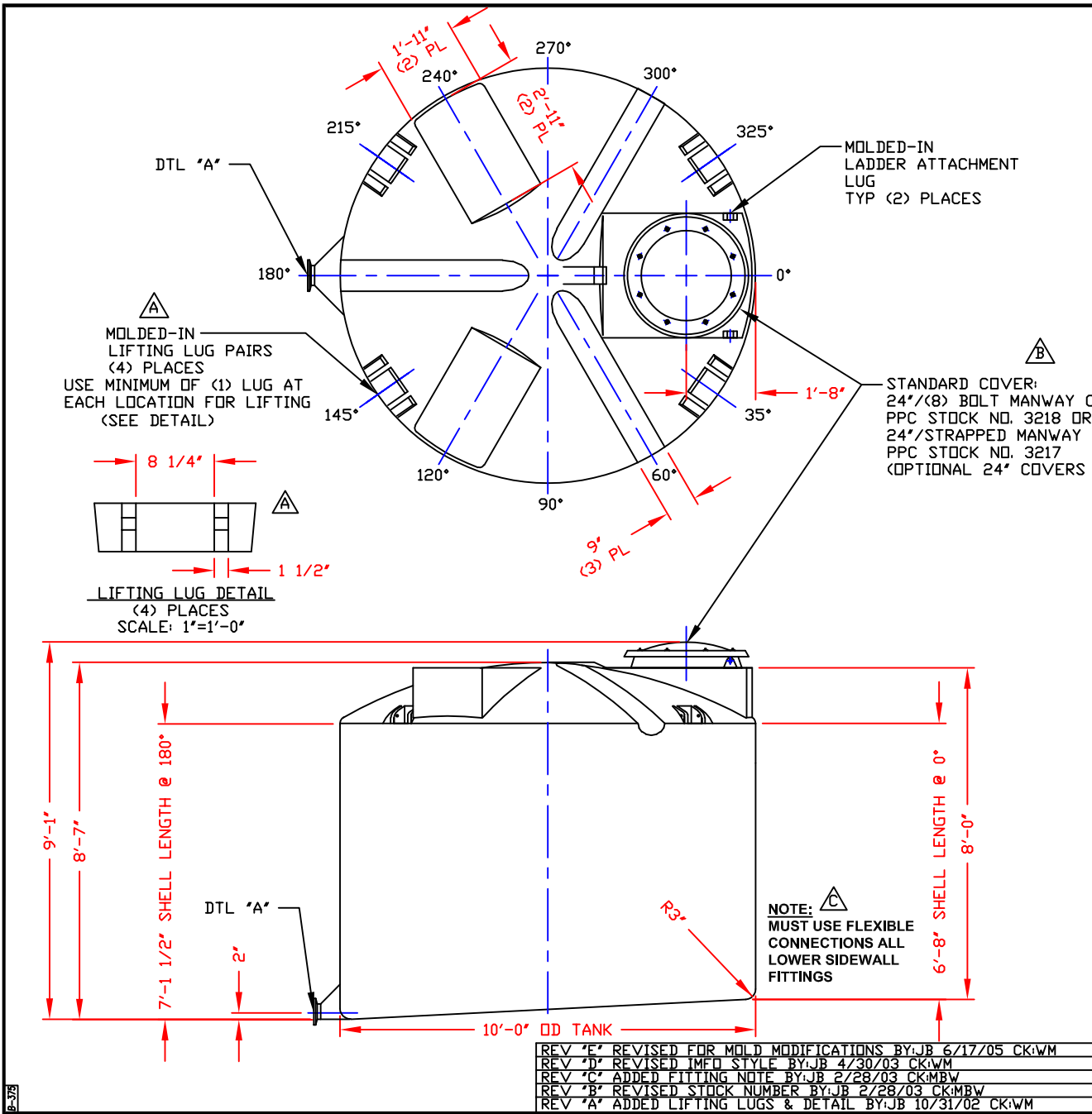


NON-CONTROLLED COPY
 INFORMATION SUBJECT TO CHANGE WITHOUT NOTICE
 VERIFY REV LEVEL OF PAPER COPY WITH REV LEVEL ON PPC WEB SITE

NOZZLE SCHEDULE & ACCESSORIES						
SERVICE	MK	STOCK NO.	SIZE	FITTING	DEG	ELEV



NOTES
 1. THIS IS A COMPUTER GENERATED DWG. DO NOT REVISE BY HAND.
 2. DIMENSIONS WILL VARY ±3% DUE TO VARIATIONS IN MULTIPLE MOLDS & CONDITIONS PREVALENT DURING MANUFACTURE & USAGE.
 3. NO MOLDED IN GALLONAGE MARKERS THIS TANK.

CALCULATED CAPACITIES/VOLUME IN U.S. GALLONS		
DESIGN CAP	DOME VOL	TOTAL VOL
3988	470	4458

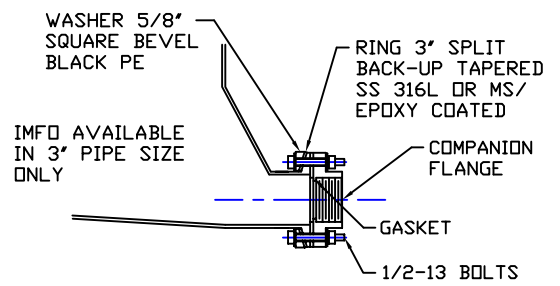
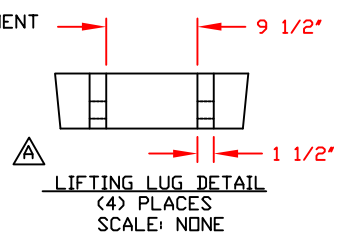
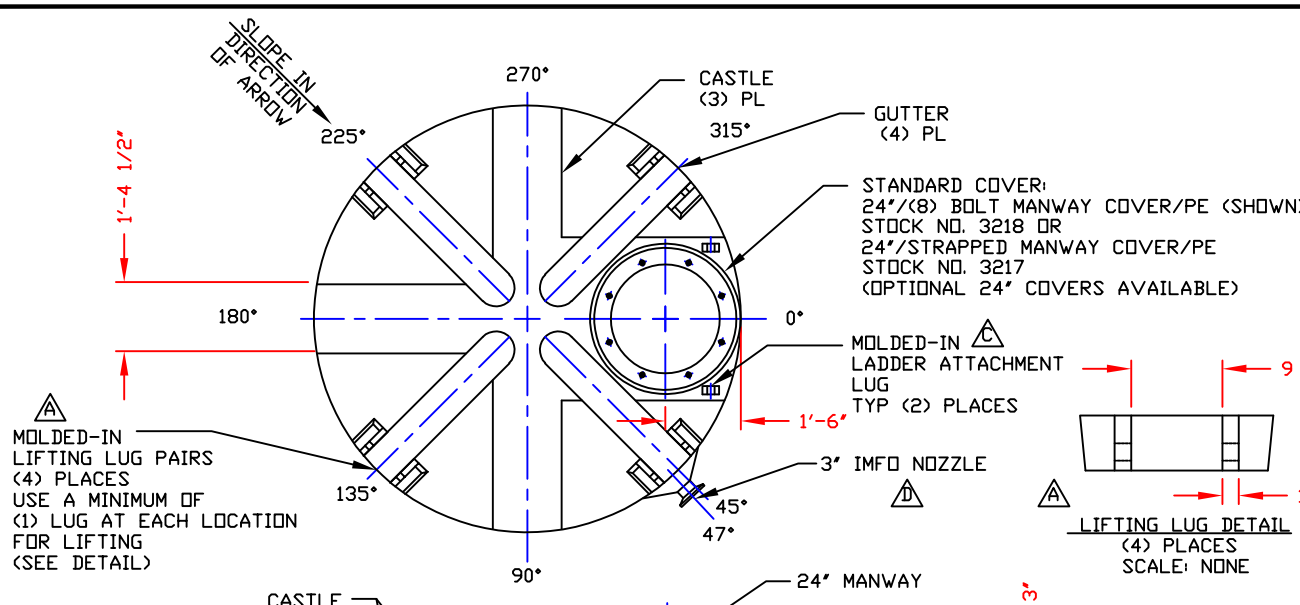
CONFIDENTIAL PROPERTY OF
 POLY PROCESSING COMPANY
 NOT FOR REPRINT OR USE
 WITHOUT PERMISSION

DWG TITLE 3950 GALLON SLOPE BOTTOM IMFO TANK			Western Region P.O. Box 80 8005 South Ash Street French Camp, CA 95228 C209 982-4304 FAX (209) 982-0453	DR: B. HARPER
SCALE: 3/8"=1'-0"	POLYPROCESSING SOLUTIONS, SIMPLIFIED		CK: D. RECTOR	
DATE: 09/09/19	SHEET 1 OF 1		COMPUTER FILE IMFO-S-03950	REV E

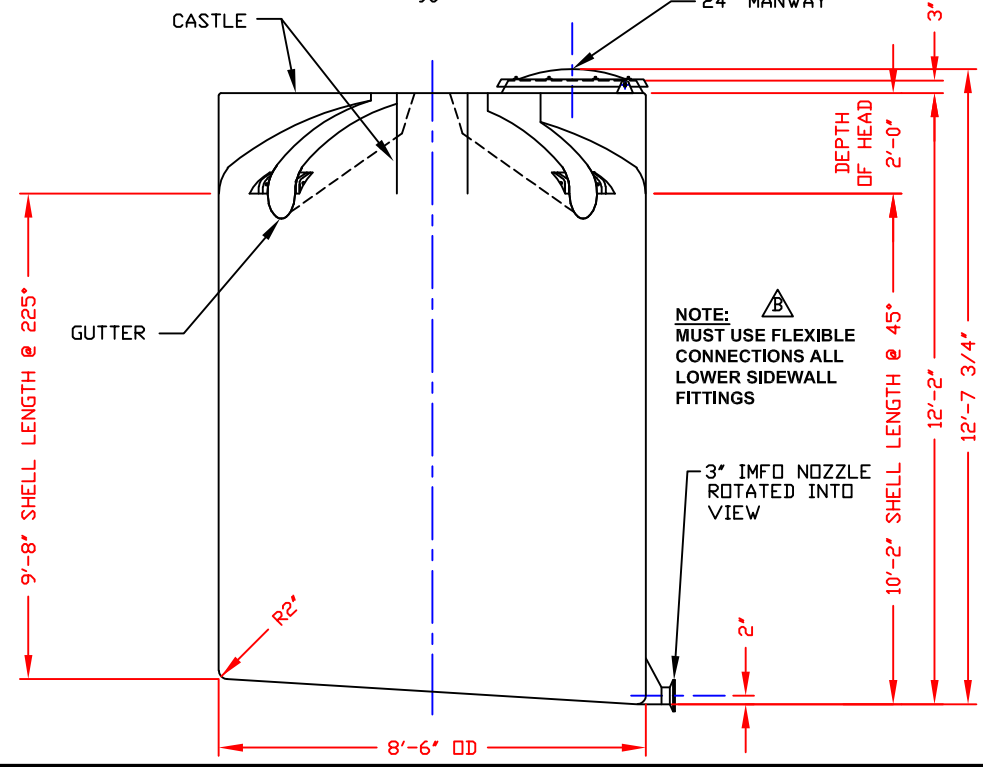
REV "F"	REVISED FOR MOLD MODIFICATIONS BY:JB 6/17/05 CK:WM
REV "D"	REVISED IMFO STYLE BY:JB 4/30/03 CK:WM
REV "C"	ADDED FITTING NOTE BY:JB 2/28/03 CK:MBW
REV "B"	REVISED STOCK NUMBER BY:JB 2/28/03 CK:MBW
REV "A"	ADDED LIFTING LUGS & DETAIL BY:JB 10/31/02 CK:WM

NON-CONTROLLED COPY
 INFORMATION SUBJECT TO CHANGE WITHOUT NOTICE
 VERIFY REV LEVEL OF PAPER COPY WITH REV LEVEL ON PPC WEB SITE

NOZZLE SCHEDULE & ACCESSORIES					
SERVICE	MK	STOCK NO.	SIZE	FITTING	DEG ELEV




REV 'A' ADDED LIFTING LUGS & DETAIL BY:JB 1/16/03 CK:WM
 REV 'B' ADDED FITTING NOTE BY:MBW 3/3/03 CK:JB
 REV 'C' ADDED LADDER ATTACHMENT LUGS BY:JB 7/8/04 CK:WM
 REV 'D' IMFO RELOCATED BY:JB 8/12/09 CK:WM



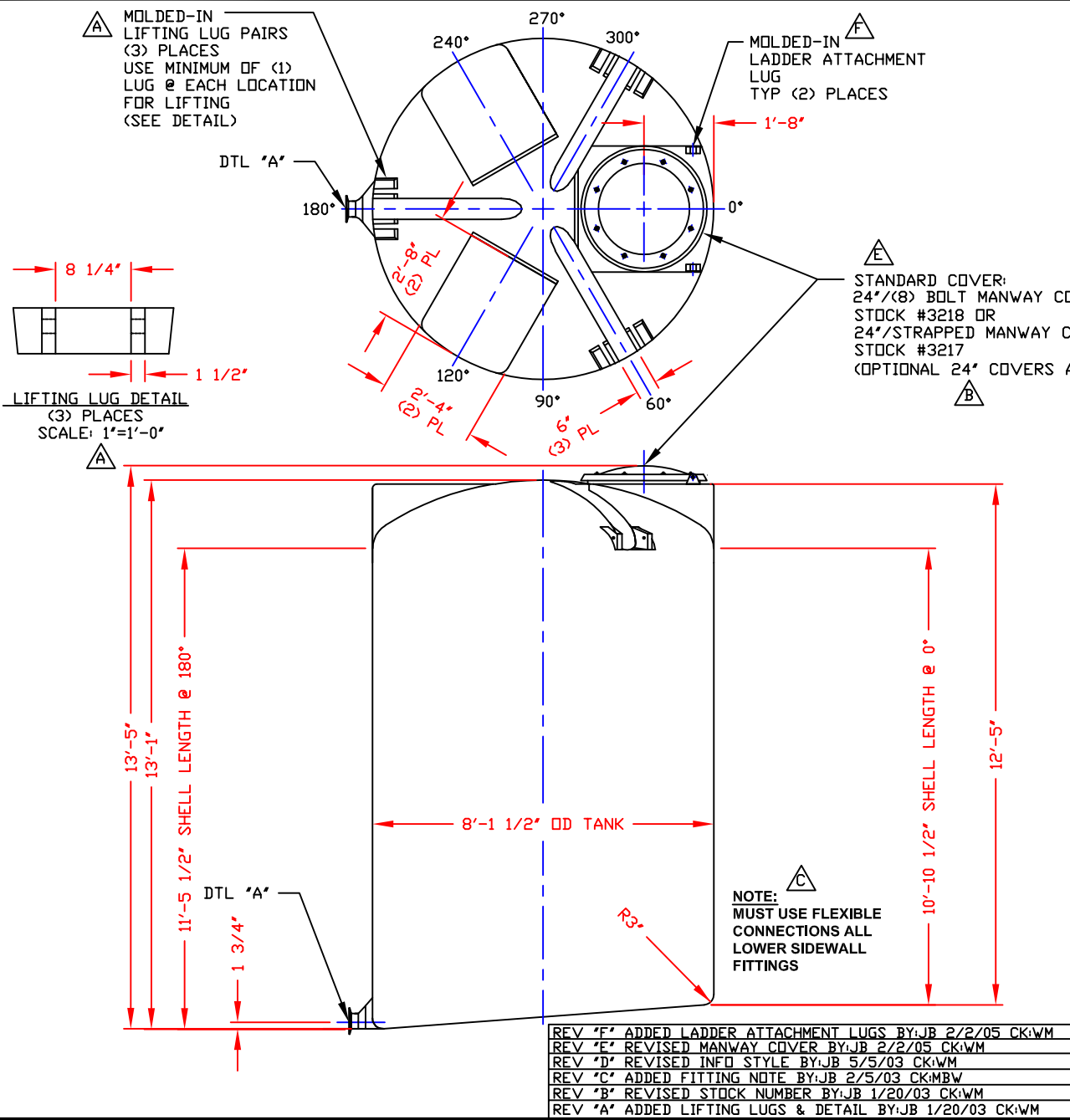
NOTES
 1. THIS IS A COMPUTER GENERATED DWG. DO NOT REVISE BY HAND.
 2. DIMENSIONS WILL VARY \pm 3% DUE TO VARIATIONS IN MULTIPLE MOLDS & CONDITIONS PREVELANT DURING MANUFACTURE & USAGE.
 3. NO MOLDED IN GALLONAGE MARKERS THIS TANK.

CALCULATED CAPACITIES/ VOLUME IN U.S. GALLONS		
DESIGN CAP	DOME VOL	TOTAL VOL
4126	245	4371

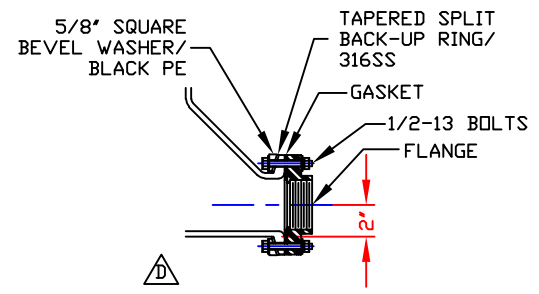
CONFIDENTIAL PROPERTY OF
 POLY PROCESSING COMPANY
 NOT FOR REPRINT OR USE
 WITHOUT PERMISSION

DWG TITLE			4100 GALLON SLOPE BOTTOM IMFO TANK		
SCALE:	3/8"=1'-0"	 Central Region P.O. Box 4150 (71211) 8201 Old Sterlington Rd. Monroe, LA 71203 (504) 343-7565 FAX (504) 343-8795	DR:	B. HARPER	
DATE:	09/09/19		CK:		
SHEET			COMPUTER FILE		REV
1 OF 1			IMFO-S-04100		D

NON-CONTROLLED COPY
 INFORMATION SUBJECT TO CHANGE WITHOUT NOTICE
 VERIFY REV LEVEL OF PAPER COPY WITH REV LEVEL ON PPC WEB SITE



NOZZLE SCHEDULE & ACCESSORIES					
SERVICE	MK	STOCK NO.	SIZE	FITTING	DEG ELEV



NOTES
 1. THIS IS A COMPUTER GENERATED DWG. DO NOT REVISE BY HAND.
 2. DIMENSIONS WILL VARY ±3% DUE TO VARIATIONS IN MULTIPLE MOLDS & CONDITIONS PREVALENT DURING MANUFACTURE & USAGE.
 3. NO MOLDED IN GALLONAGE MARKERS THIS TANK.

CALCULATED CAPACITIES/ VOLUME IN U.S. GALLONS		
DESIGN CAP	DOME VOL	TOTAL VOL
4222	262	4484

CONFIDENTIAL PROPERTY OF
 POLY PROCESSING COMPANY
 NOT FOR REPRINT OR USE
 WITHOUT PERMISSION

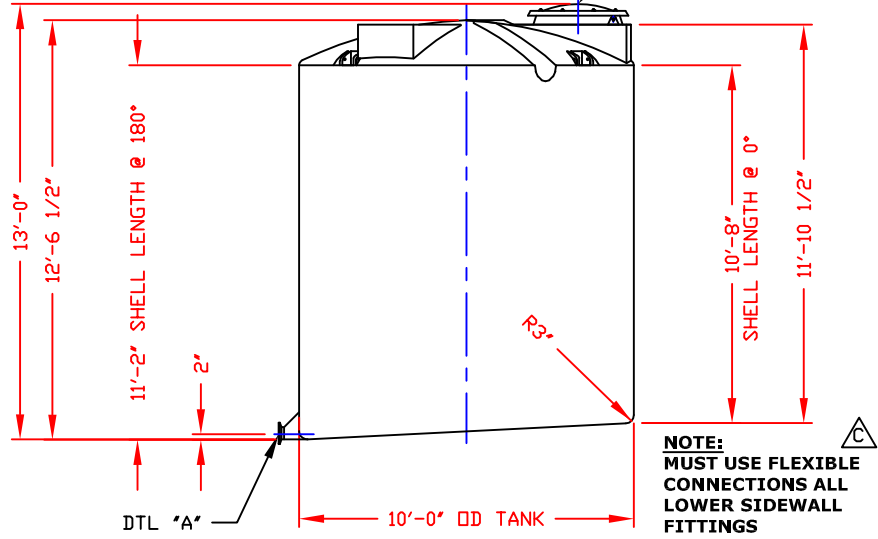
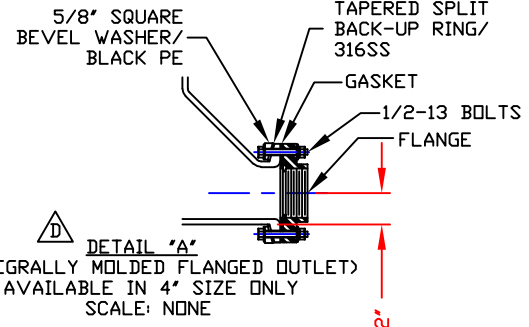
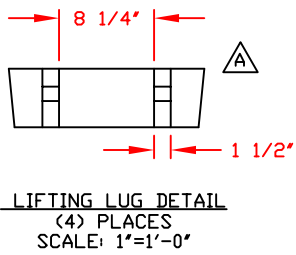
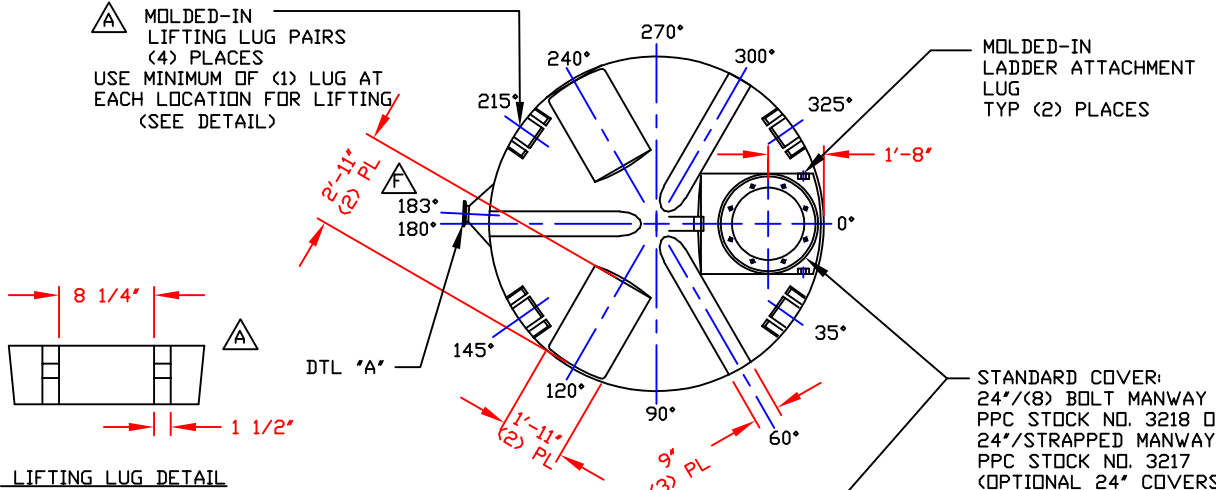
DWG TITLE 4200 GALLON SLOPE BOTTOM IMFO TANK			
SCALE: 3/8"=1'-0"	 Western Region P.O. Box 99 8955 South Ash Street French Camp, CA 95228 (925) 982-4504 FAX (925) 982-0455	DR: B. HARPER	REV
DATE: 09/09/19		CK:	F
SHEET 1 OF 1		COMPUTER FILE IMFO-S-04200	REV

NOTE:
 MUST USE FLEXIBLE CONNECTIONS ALL LOWER SIDEWALL FITTINGS

REV "F" ADDED LADDER ATTACHMENT LUGS BY:JB 2/2/05 CK:WM
 REV "E" REVISED MANWAY COVER BY:JB 2/2/05 CK:WM
 REV "D" REVISED IMFO STYLE BY:JB 5/5/03 CK:WM
 REV "C" ADDED FITTING NOTE BY:JB 2/5/03 CK:MBW
 REV "B" REVISED STOCK NUMBER BY:JB 1/20/03 CK:WM
 REV "A" ADDED LIFTING LUGS & DETAIL BY:JB 1/20/03 CK:WM

NON-CONTROLLED COPY
 INFORMATION SUBJECT TO CHANGE WITHOUT NOTICE
 VERIFY REV LEVEL OF PAPER COPY WITH REV LEVEL ON PPC WEB SITE

NOZZLE SCHEDULE & ACCESSORIES					
SERVICE	MK	STOCK NO.	SIZE	FITTING	DEG ELEV



NOTES
 1. THIS IS A COMPUTER GENERATED DWG. DO NOT REVISE BY HAND.
 2. DIMENSIONS WILL VARY ±3% DUE TO VARIATIONS IN MULTIPLE MOLDS & CONDITIONS PREVALENT DURING MANUFACTURE & USAGE.
 3. NO MOLDED IN GALLONAGE MARKERS THIS TANK.

CALCULATED CAPACITIES/ VOLUME IN U.S. GALLONS		
DESIGN CAP	DOME VOL	TOTAL VOL
6283	470	6753

CONFIDENTIAL PROPERTY OF
 POLY PROCESSING COMPANY
 NOT FOR REPRINT OR USE
 WITHOUT PERMISSION

DWG TITLE: 6250 GALLON SLOPE BOTTOM IMFO TANK

SCALE: 1/4"=1'-0"

DATE: 09/09/19

Western Region
 P.O. Box 80
 8055 South Ash Street
 French Camp, GA 30531
 (209) 962-4994
 FAX (209) 962-9455

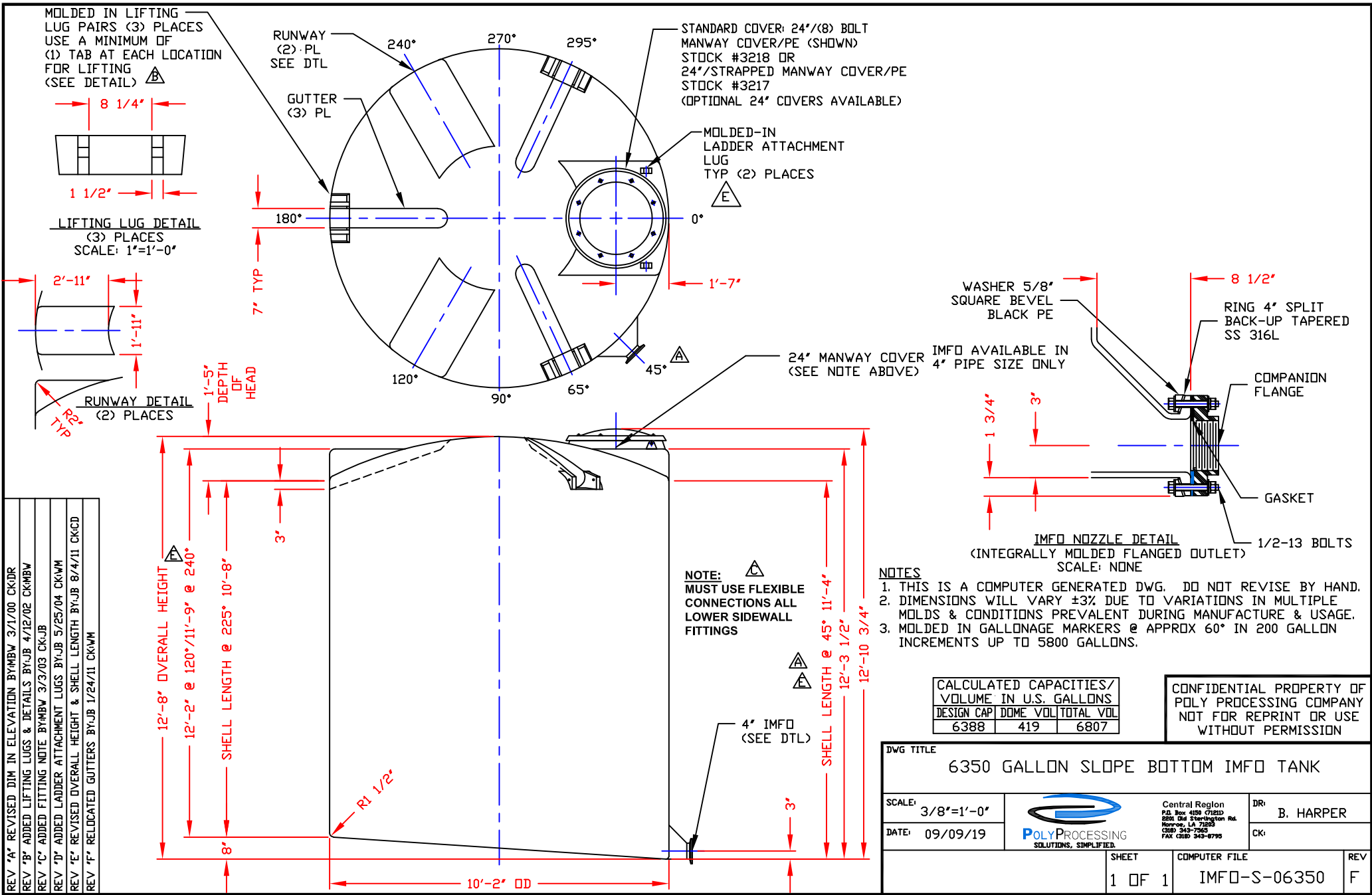
DR: B. HARPER
 CK:

POLYPROCESSING SOLUTIONS. SIMPLIFIED.

SHEET: 1 OF 1
 COMPUTER FILE: IMFO-S-06250
 REV: F

REV "F" REVISED IMFO LOCATION BY:JB 8/7/09 CK:WM
REV "E" REVISED FOR MOLD MODIFICATIONS BY:JB 6/16/053 CK:WM
REV "D" REVISED IMFO STYLE BY:JB 4/30/03 CK:WM
REV "C" ADDED FITTING NOTE BY:JB 3/3/02 CK:MBW
REV "B" REVISED STOCK NUMBER BY:JB 3/3/02 CK:MBW
REV "A" ADDED LIFTING LUGS & DETAIL BY:JB 10/31/02 CK:WM

NON-CONTROLLED COPY
 INFORMATION SUBJECT TO CHANGE WITHOUT NOTICE
 VERIFY REV LEVEL OF PAPER COPY WITH REV LEVEL ON PPC WEB SITE




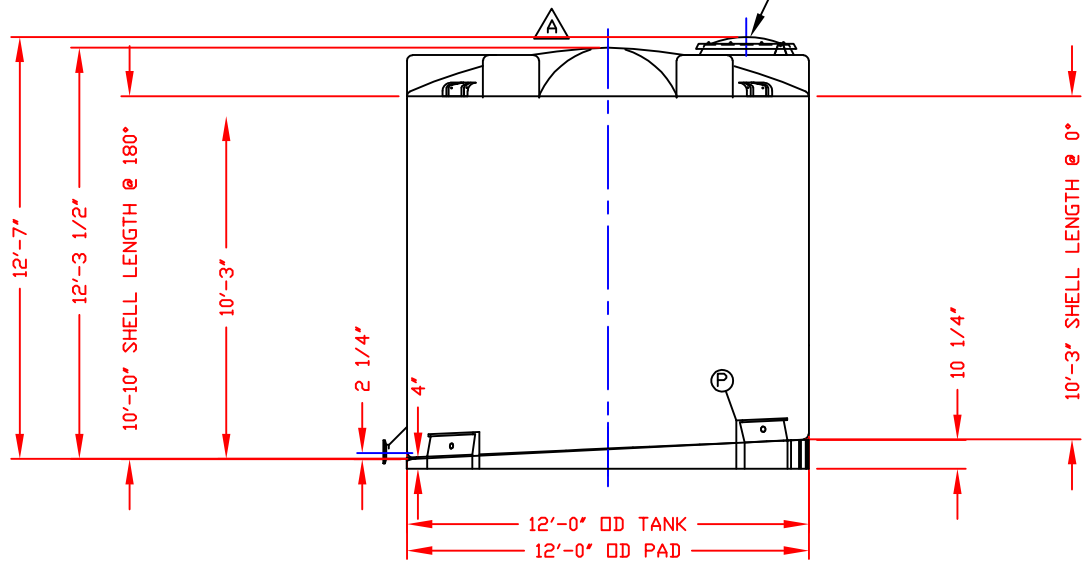
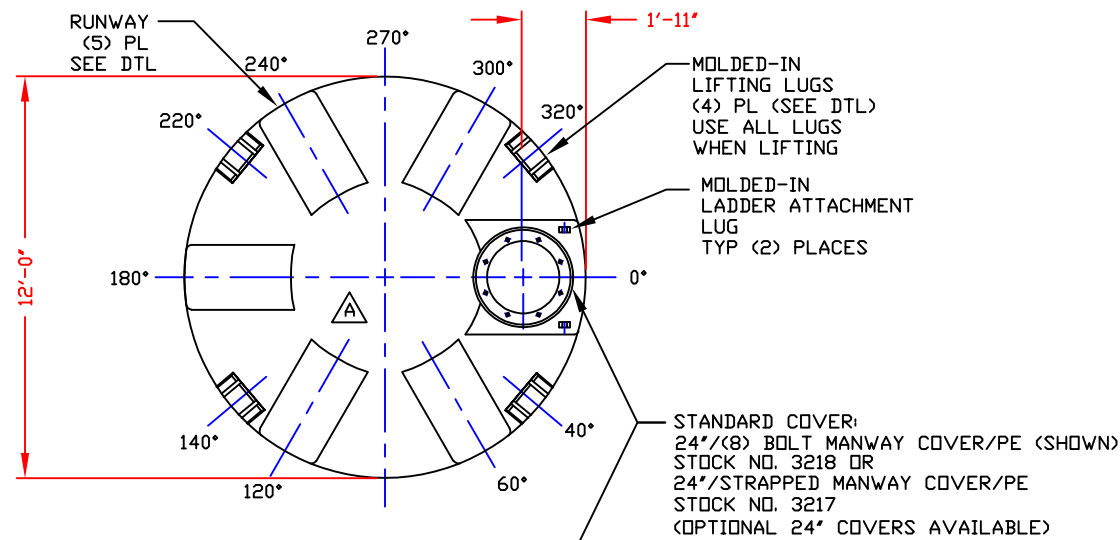
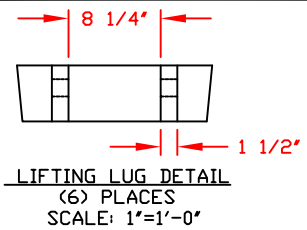
- REV 'A' REVISED DIM IN ELEVATION BYMBW 3/1/00 CKDR
- REV 'B' ADDED LIFTING LUGS & DETAILS BYJB 4/12/02 CKMBV
- REV 'C' ADDED FITTING NOTE BYMBW 3/3/03 CKJB
- REV 'D' ADDED LADDER ATTACHMENT LUGS BYJB 5/25/04 CKWM
- REV 'E' REVISED OVERALL HEIGHT & SHELL LENGTH BYJB 8/4/11 CKCD
- REV 'F' RELOCATED GUTTERS BYJB 1/24/11 CKWM

- NOTES**
1. THIS IS A COMPUTER GENERATED DWG. DO NOT REVISE BY HAND.
 2. DIMENSIONS WILL VARY ±3% DUE TO VARIATIONS IN MULTIPLE MOLDS & CONDITIONS PREVALENT DURING MANUFACTURE & USAGE.
 3. MOLDED IN GALLONAGE MARKERS @ APPROX 60° IN 200 GALLON INCREMENTS UP TO 5800 GALLONS.

CALCULATED CAPACITIES/ VOLUME IN U.S. GALLONS		
DESIGN CAP	DOME VOL	TOTAL VOL
6388	419	6807

CONFIDENTIAL PROPERTY OF
 POLY PROCESSING COMPANY
 NOT FOR REPRINT OR USE
 WITHOUT PERMISSION

DWG TITLE 6350 GALLON SLOPE BOTTOM IMFO TANK			
SCALE: 3/8"=1'-0"	 POLY PROCESSING <small>SOLUTIONS. SIMPLIFIED.</small>	Central Region <small>P.O. Box 4150 (71212) 8001 Old Sterlington Rd. Monroe, LA 70503 (504) 343-7565 FAX (504) 343-8795</small>	DR: B. HARPER
DATE: 09/09/19		CK: 	
SHEET 1 OF 1		COMPUTER FILE IMFO-S-06350	REV F



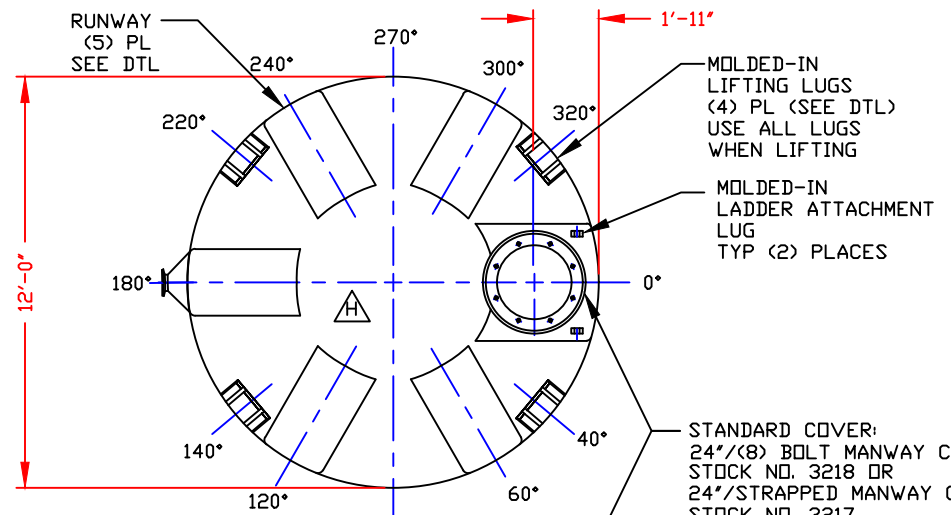
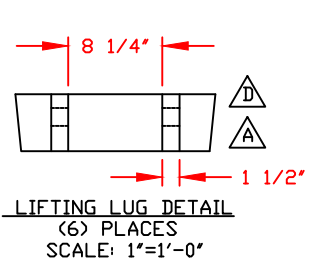
- NOTES**
1. THIS IS A COMPUTER GENERATED DWG. DO NOT REVISE BY HAND.
 2. DIMENSIONS WILL VARY ±3% DUE TO VARIATIONS IN MULTIPLE MOLDS & CONDITIONS PREVALENT DURING MANUFACTURE & USAGE.
 3. NO MOLDED IN GALLONAGE MARKERS THIS TANK.

DWG TITLE		8500 GALLON SLOPE BOTTOM IMFO TANKS		
		1.35/SpG/XLPE/BLACK STOCK NO. 1120850011		
SERVICE:	xxxxxx			
SCALE:	1/4"=1'-0"		DR:	B. HARPER
DATE:	1/12/2021		CK:	
		SHEET	COMPUTER FILE	REV
		1 OF 1	IMFO-S-08500	A

CALCULATED CAPACITIES/ VOLUME IN U.S. GALLONS		
DESIGN CAP	DOME VOL	TOTAL VOL
8500	640	9150

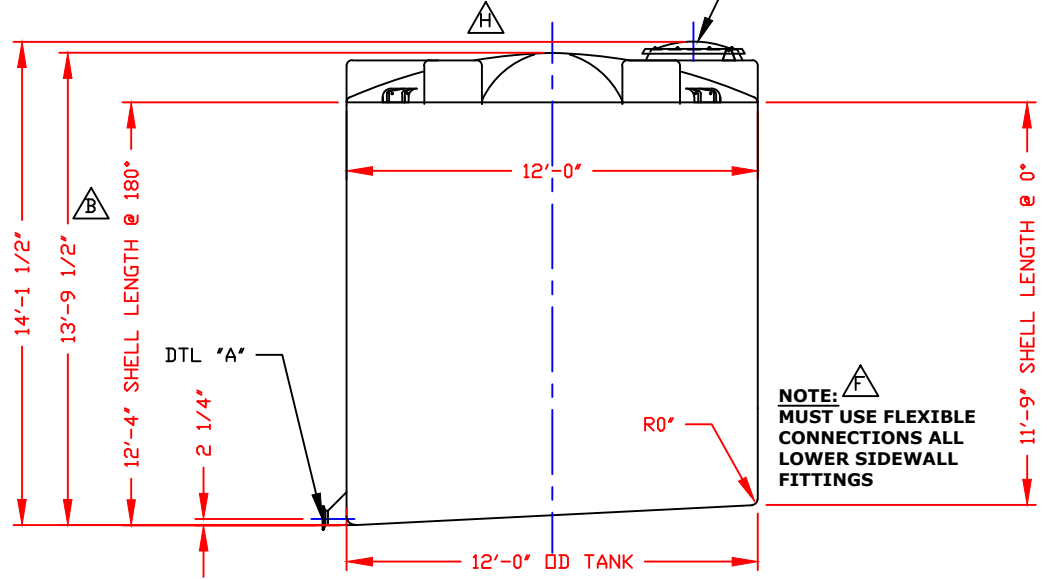
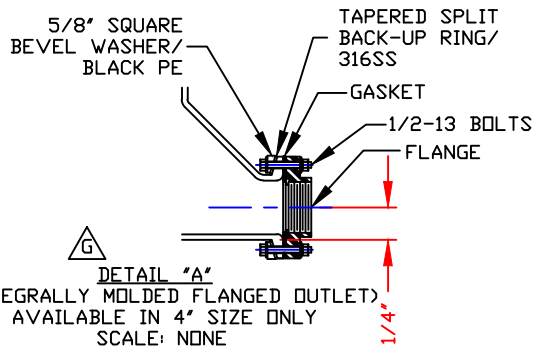
REV "A" CHANGED DOME BY: BH 1/12/2021

NON-CONTROLLED COPY
 INFORMATION SUBJECT TO CHANGE WITHOUT NOTICE
 VERIFY REV LEVEL OF PAPER COPY WITH REV LEVEL ON PPC WEB SITE



NOZZLE SCHEDULE & ACCESSORIES					
SERVICE	MK	STOCK NO.	SIZE	FITTING	DEG ELEV

STANDARD COVER:
 24"/(8) BOLT MANWAY COVER/PE (SHOWN) STOCK NO. 3218 OR
 24"/STRAPPED MANWAY COVER/PE STOCK NO. 3217
 (OPTIONAL 24" COVERS AVAILABLE)




- NOTES**
1. THIS IS A COMPUTER GENERATED DWG. DO NOT REVISE BY HAND.
 2. DIMENSIONS WILL VARY ±3% DUE TO VARIATIONS IN MULTIPLE MOLDS & CONDITIONS PREVALENT DURING MANUFACTURE & USAGE.
 3. NO MOLDED IN GALLONAGE MARKERS THIS TANK.

CALCULATED CAPACITIES/ VOLUME IN U.S. GALLONS		
DESIGN CAP	HOME VOL	TOTAL VOL
9867	640	10507

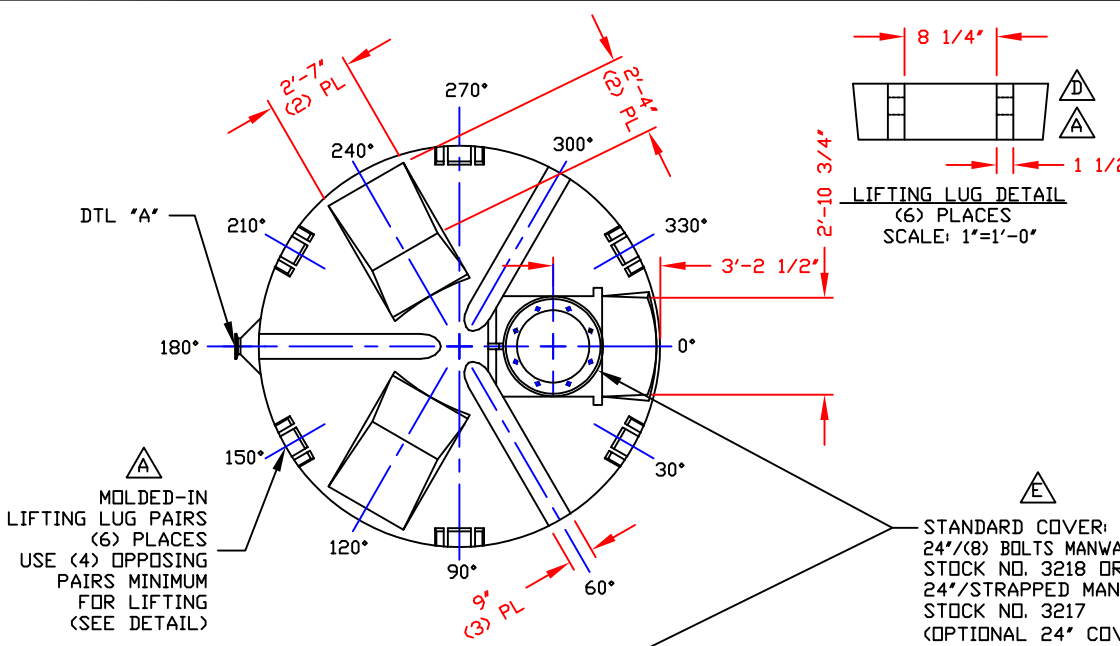
CONFIDENTIAL PROPERTY OF
 POLY PROCESSING COMPANY
 NOT FOR REPRINT OR USE
 WITHOUT PERMISSION

REV "H" CHANGED DOME BY: BH 1/12/2021
REV "G" REVISED IMFO STYLE BY: JB 4/30/03 CK: MW
REV "F" ADDED FITTING NOTE BY: JB 2/13/03 CK: MBW
REV "E" REVISED DOME & MWY CONFIGURATION BY: JB 1/14/03 CK: WM
REV "D" REVISED LIFTING LUG DETAIL BY: JB 1/14/03 CK: WM
REV "C" REVISED CALCULATED CAPACITY BY: JB 3/28/02 CK: MBW
REV "B" DID SAY 14'-1/2" BY: JB 3/28/02 CK: MBW
REV "A" ADDED LIFTING LUGS & DETAIL BY: JB 3/25/02 CK: MBW

DWG TITLE				9850 GALLON SLOPE BOTTOM IMFO TANK			
SCALE:	1/4"=1'-0"	 Western Region P.O. Box 88 9925 South Ash Street French Camp, CA 95231 (209) 962-4504 FAX (209) 962-0455	DR:	B. HARPER			
DATE:	1/12/2021		CK:				
SHEET		COMPUTER FILE		REV			
1 OF 1		IMFO-S-09850					

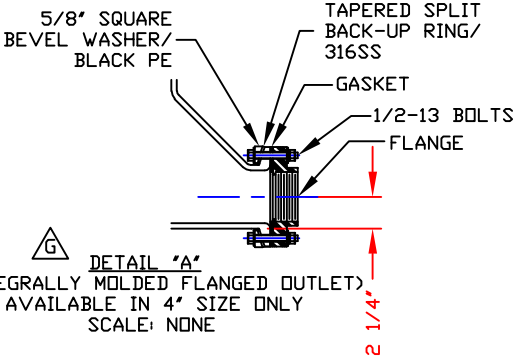
NON-CONTROLLED COPY
 INFORMATION SUBJECT TO CHANGE WITHOUT NOTICE
 VERIFY REV LEVEL OF PAPER COPY WITH REV LEVEL ON PPC WEB SITE

REV 'A' ADDED LIFTING LUGS & DETAIL BY:JB 4/1/02 CK:WM
 REV 'B' DID SAY 16'-5 1/2" BY:JB 4/1/02 CK:MBW
 REV 'C' REVISED CALCULATED CAPACITY BY:JB 4/1/02 CK:MBW
 REV 'D' REVISED LIFTING LUG DETAIL BY:JB 1/14/03 CK:WM
 REV 'E' REVISED DOME & MWY CONFIGURATION BY:JB 1/14/03 CK:WM
 REV 'F' ADDED FITTING NOTE BY:JB 2/13/03 CK:MBW
 REV 'G' REVISED INFO STYLE BY:JB 4/30/03 CK:WM

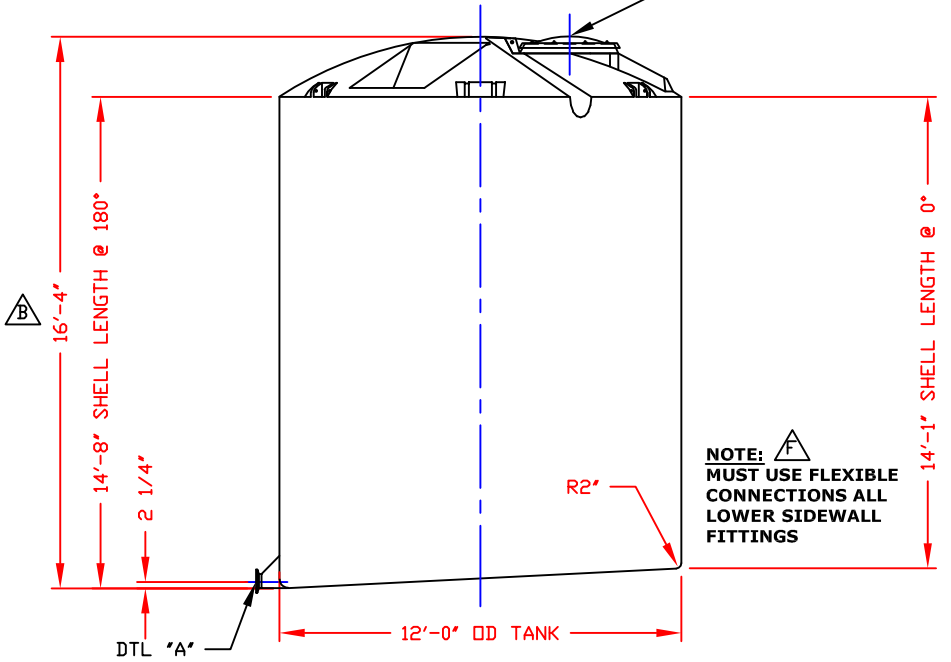


NOZZLE SCHEDULE & ACCESSORIES

SERVICE	MK	STOCK NO.	SIZE	FITTING	DEG	ELEV



STANDARD COVER:
 24"/(8) BOLTS MANWAY COVER/PE (SHOWN)
 STOCK NO. 3218 DR
 24"/STRAPPED MANWAY COVER/PE
 STOCK NO. 3217
 (OPTIONAL 24" COVERS AVAILABLE)



- NOTES**
1. THIS IS A COMPUTER GENERATED DWG. DO NOT REVISE BY HAND.
 2. DIMENSIONS WILL VARY ±3% DUE TO VARIATIONS IN MULTIPLE MOLDS & CONDITIONS PREVALENT DURING MANUFACTURE & USAGE.
 3. NO MOLDED IN GALLONAGE MARKERS THIS TANK.

DETAIL 'C'

DESIGN CAP	DOME VOL	TOTAL VOL
11814	640	12454

CONFIDENTIAL PROPERTY OF
 POLY PROCESSING COMPANY
 NOT FOR REPRINT OR USE
 WITHOUT PERMISSION

DWG TITLE
 11800 GALLON UPRIGHT SLOPE BOTTOM IMFO TANK

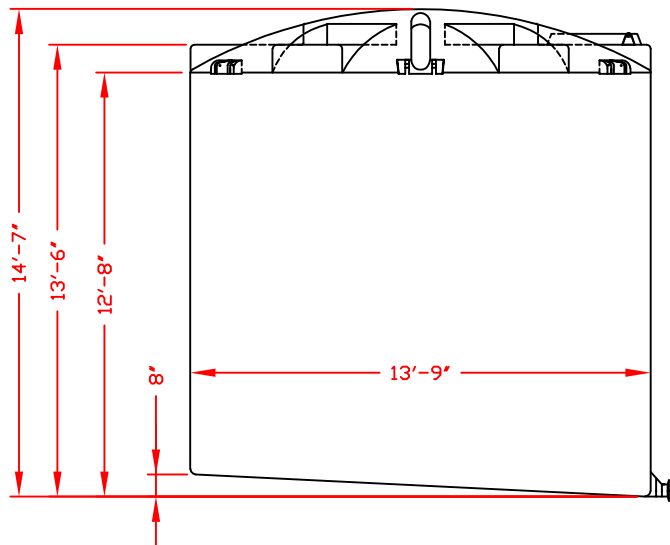
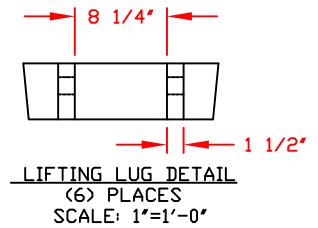
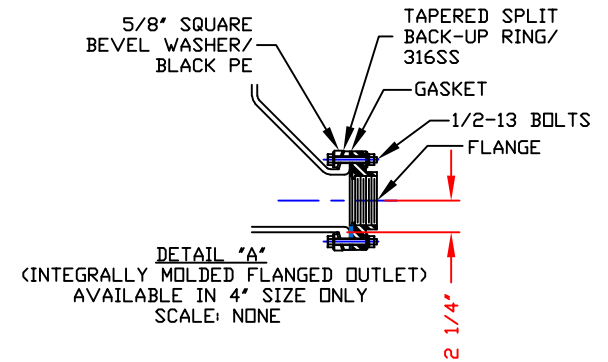
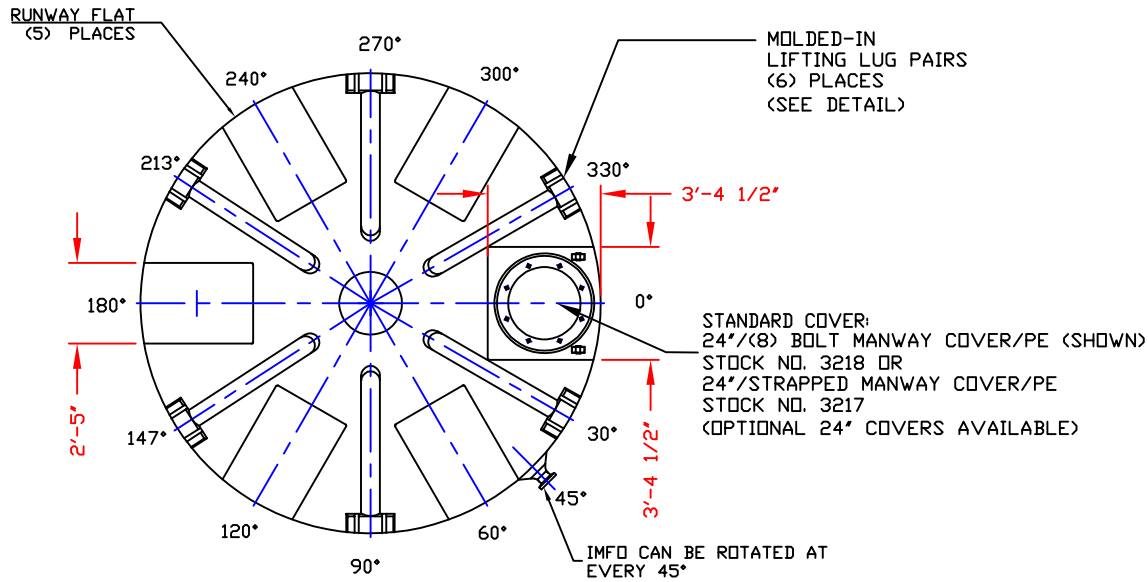
SCALE: 1/4"=1'-0"
DATE: 09/09/19

Western Region
 P.O. Box 80
 8035 South Ash Street
 French Camp, CA 95521
 (709) 982-4904
 FAX (709) 982-4455

DR: B. HARPER
CK:

POLYPROCESSING SOLUTIONS. SIMPLIFIED.

SHEET	COMPUTER FILE	REV
1 OF 1	IMFO-S-11800	G



NOTES

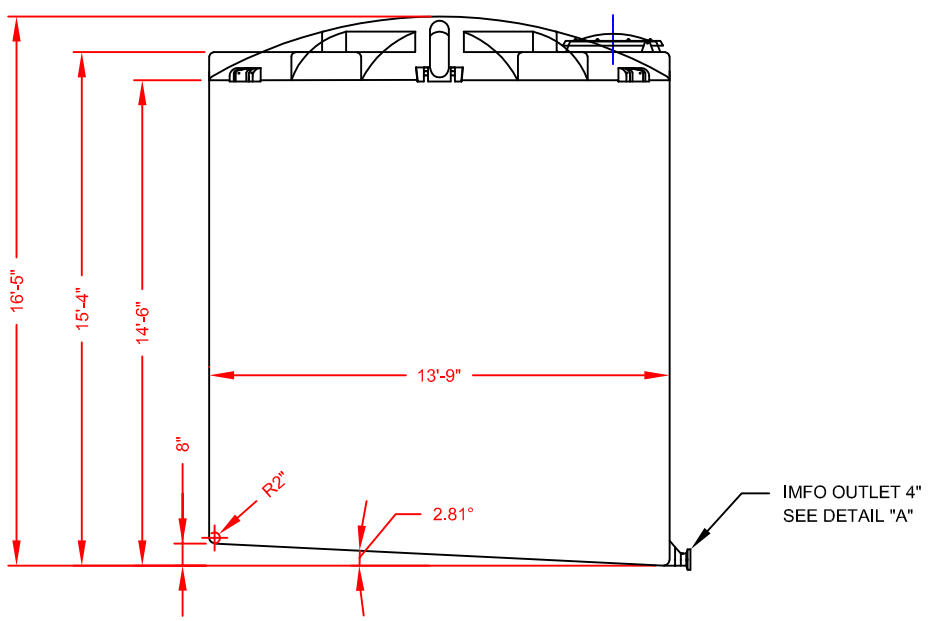
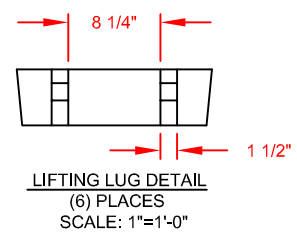
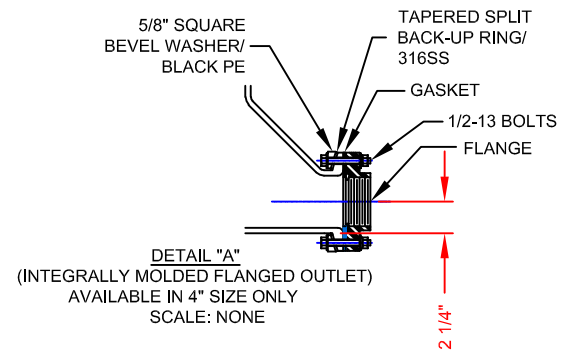
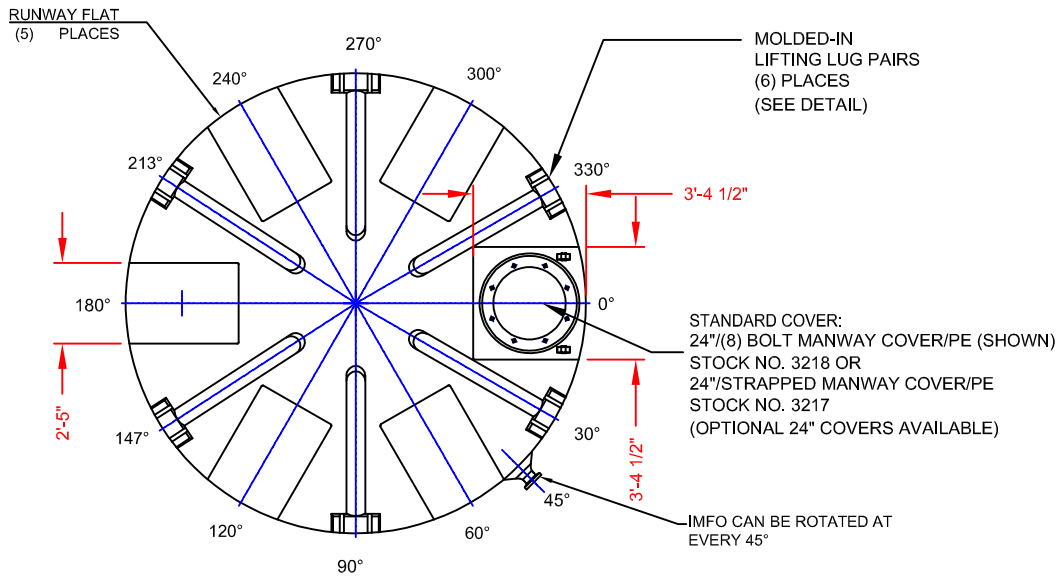
1. THIS A COMPUTER GENERATED DWG. DO NOT REVISE BY HAND.
2. DIMENSIONS WILL VARY ±3% DUE VARIATIONS IN MULTIPLE MOLDS & CONDITIONS PREVALENT DURING MANUFACTURE & USAGE.
3. NO MOLDED IN GALLONAGE MARKERS THIS TANK.

CALCULATED CAPACITIES/ VOLUME IN U.S. GALLONS		
DESIGN CAP	DOME VOL	TOTAL VOL
13200	596	13796

CONFIDENTIAL PROPERTY OF
POLY PROCESSING COMPANY
NOT FOR REPRINT OR USE
WITHOUT PERMISSION

DWG TITLE 13200 GALLON SLOPED BOTTOM IMFO TANK			
SCALE: 1/4"=1'-0"		DR: B. HARPER	
DATE: 12/31/19		CK: -	
	SHEET 1 OF 1	COMPUTER FILE IMFO-S-13200	REV -

NON-CONTROLLED COPY
 INFORMATION SUBJECT TO CHANGE WITHOUT NOTICE
 VERIFY REV LEVEL OF PAPER COPY WITH REV LEVEL ON PPC WEB SITE



- NOTES**
1. THIS IS A COMPUTER GENERATED DWG. DO NOT REVISE BY HAND.
 2. DIMENSIONS WILL VARY ±3% DUE TO VARIATIONS IN MULTIPLE MOLDS & CONDITIONS PREVALENT DURING MANUFACTURE & USAGE.
 3. NO MOLDED IN GALLONAGE MARKERS THIS TANK.

CALCULATED CAPACITIES/ VOLUME IN U.S. GALLONS		
DESIGN CAP	DOME VOL	TOTAL VOL
15263	994	16257

CONFIDENTIAL PROPERTY OF
 POLY PROCESSING COMPANY
 NOT FOR REPRINT OR USE
 WITHOUT PERMISSION

DWG TITLE 15000 GALLON UPRIGHT SLOPED IMFO TANK			
SCALE: 1/4"=1'-0"		DR: B. HARPER	
DATE: 12/31/19		CK: -	
		SHEET 1 OF 1	COMPUTER FILE IMFO-S-15000
			REV A